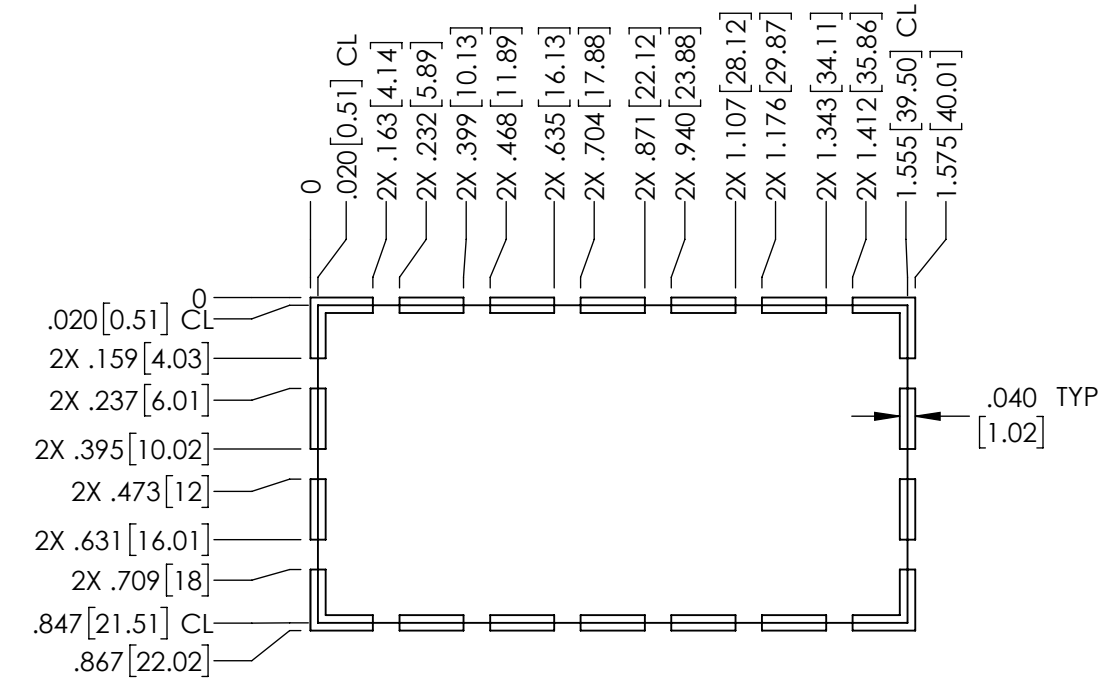
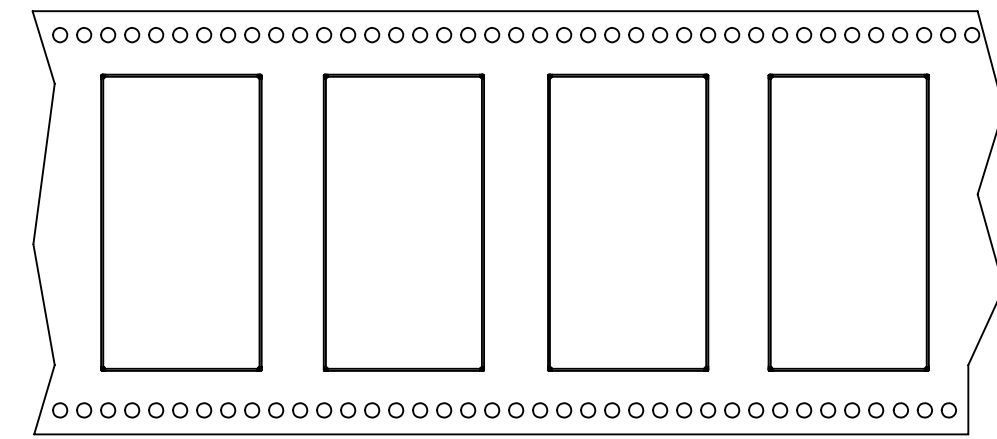


NOTES:

1. DIMENSIONS SHOWN IN BRACKETS ARE IN MILLIMETERS

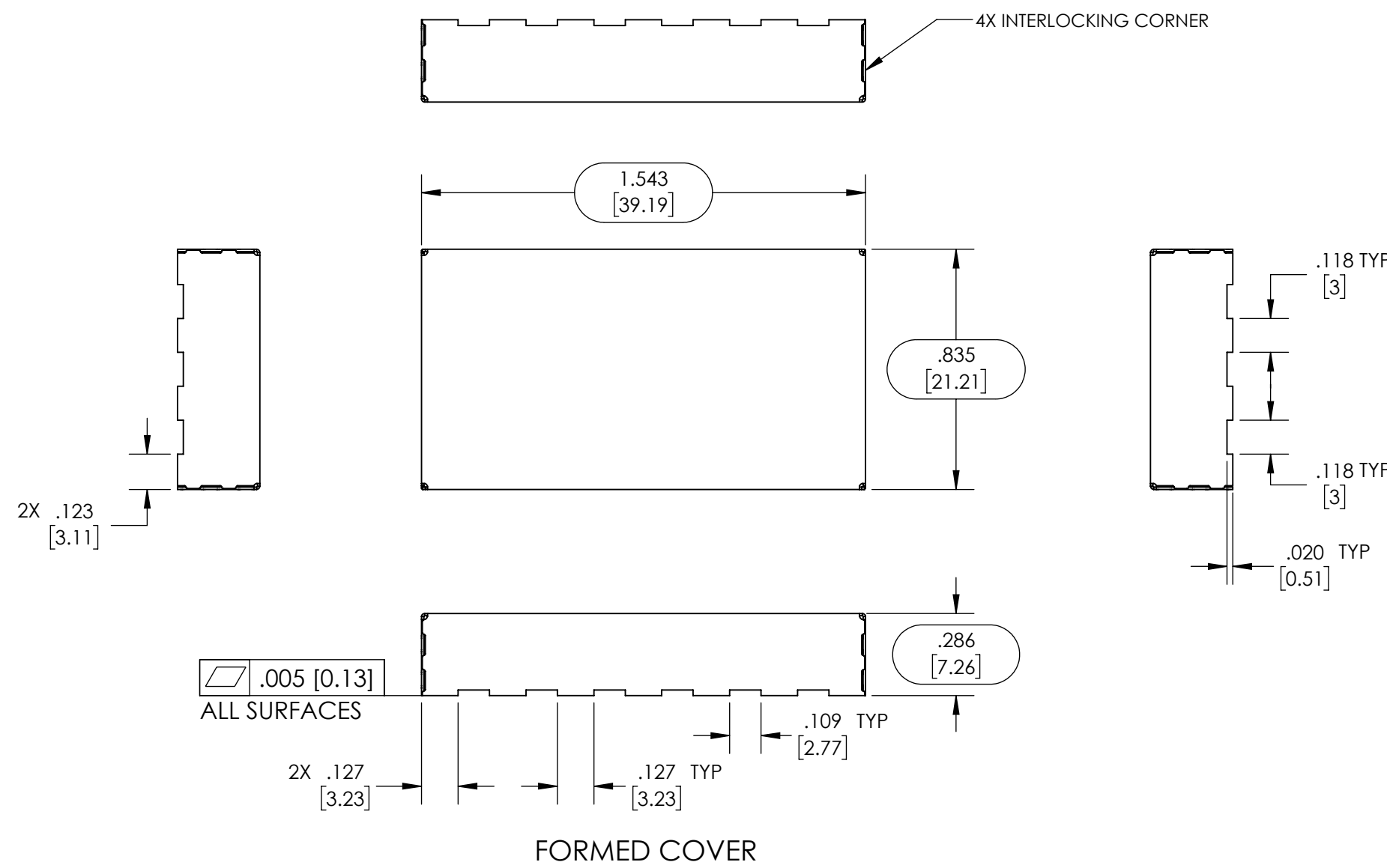


TRACE PATTERN

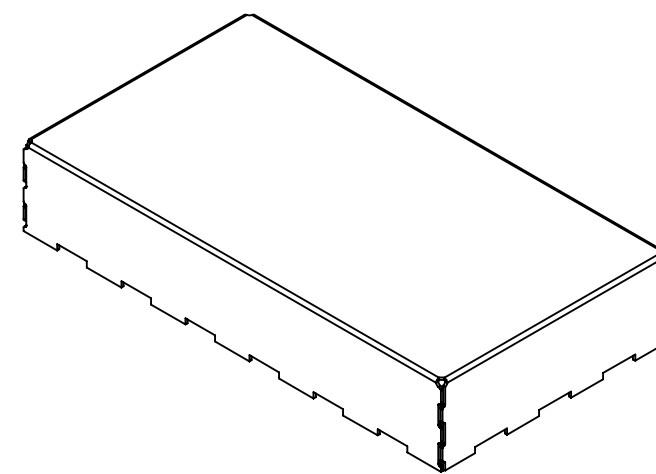


CARRIER TAPE

CARRIER TAPE SPECIFICATIONS					
PART NUMBER	OVERALL DIMENSIONS	OVERALL HEIGHT	CARRIER TAPE WIDTH	CARRIER TAPE PITCH	PARTS PER REEL
SMS-356-N	0.835 X 1.543 [21.21 X 39.19]	.286 [7.26]	56 mm	28 mm	280



FORMED COVER



<p>UNLESS OTHERWISE SPECIFIED:</p> <ul style="list-style-type: none"> - ALL DIMENSIONS ARE IN INCHES - PART SHALL BE FREE OF BURRS AND SHARP EDGES - ALL DIMENSIONS SHOWN APPLY AFTER PLATING AND COATINGS - RoHS COMPLIANT PER EU DIRECTIVE 2011/65/EU - POI = POINT OF INTERSECTION 	<p>THIRD ANGLE PROJECTION</p>	<p>LEADER TECH a HEICO company <i>The Leading Edge in EMI Shielding Technology</i></p>			
		<p>TITLE: SURFACE MOUNT SHIELD</p>			
		<p>DRAWN BY: JG</p>	<p>DATE: 2016-09-23</p>	<p>APPROVED BY:</p>	<p>SCALE: 2:1</p>
		<p>FINISH: N/A</p>	<p>MATERIAL: .008" [0.20] C77000 H02 (ALLOY 770)</p>	<p>DWG. NO.: SMS-356-N</p>	<p>REV: A</p>

THIS DOCUMENT CONTAINS PROPRIETARY INFORMATION OWNED BY LEADERTECH, OR DEVELOPED AT ITS OWN PRIVATE EXPENSE, AND MAY NOT BE USED, DUPLICATED OR DISCLOSED IN WHOLE OR IN PART FOR ANY PURPOSE INCLUDING DESIGN, MANUFACTURE OR PROCUREMENT WITHOUT THE WRITTEN PERMISSION OF LEADERTECH. LEADERTECH DOES NOT GUARANTEE OR WARRANTY THE PERFORMANCE CHARACTERISTICS.