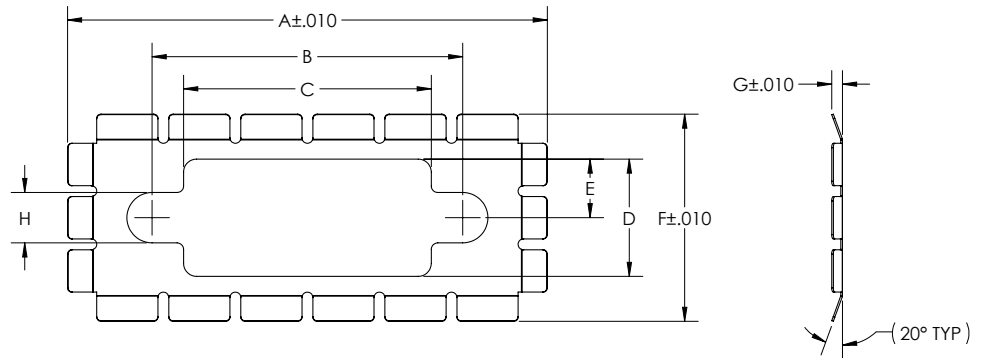


## Micro-D Connector Gaskets

Leader Tech's Micro-D Connector Gaskets are designed to be used with MIL-DTL-83513 microminiature connectors. They are available in 9 pin through 100 pin sizes and will fit either plug or socket versions of the connectors. The gaskets are offered in beryllium copper or stainless steel base materials. Tin and electroless nickel are standard plating options for beryllium copper parts with other finishes available upon request.



### Material Characteristics

- Very conformable to irregular surfaces.
- Eliminates any gap problem between the connector and I/O surface points.
- High Cycle
- Designed for MIL-DTL 83513 Connectors

### Typical Performance

**Shielding effectiveness:**  
80 - 115 dB

**Frequency Range:**  
20Mhz - 10GHz

**Construction:**  
BeCu or Stainless Steel

**Recommended Compression:**  
30-50% of gasket height.

### Micro-D Connector Gaskets

LEADER TECH PART NUMBER	A (IN)	A (MM)	B (IN)	B (MM)	C (IN)	C (MM)	D (IN)	D (MM)	E (IN)	E (MM)	F (IN)	F (MM)	G (IN)	G (MM)	H (IN)	H (MM)
09D-M-210-PP	0.954	24.232	0.570	14.478	0.405	10.287	0.270	6.858	0.135	3.429	0.477	12.116	0.025	0.635	0.116	2.946
09D-M-200-SS	0.954	24.232	0.570	14.478	0.405	10.287	0.270	6.858	0.135	3.429	0.477	12.116	0.025	0.635	0.116	2.946
15D-M-210-PP	1.104	28.042	0.715	18.161	0.570	14.478	0.270	6.858	0.135	3.429	0.477	12.116	0.025	0.635	0.116	2.946
15D-M-200-SS	1.104	28.042	0.715	18.161	0.570	14.478	0.270	6.858	0.135	3.429	0.477	12.116	0.025	0.635	0.116	2.946
21D-M-210-PP	1.254	31.852	0.866	21.996	0.726	18.440	0.270	6.858	0.135	3.429	0.477	12.116	0.025	0.635	0.116	2.946
21D-M-200-SS	1.254	31.852	0.866	21.996	0.726	18.440	0.270	6.858	0.135	3.429	0.477	12.116	0.025	0.635	0.116	2.946
25D-M-210-PP	1.351	34.315	0.965	24.511	0.820	20.828	0.270	6.858	0.135	3.429	0.477	12.116	0.025	0.635	0.116	2.946
25D-M-200-SS	1.351	34.315	0.965	24.511	0.820	20.828	0.270	6.858	0.135	3.429	0.477	12.116	0.025	0.635	0.116	2.946
31D-M-210-PP	1.504	38.202	1.115	28.321	0.970	24.638	0.270	6.858	0.135	3.429	0.477	12.116	0.025	0.635	0.116	2.946
31D-M-200-SS	1.504	38.202	1.115	28.321	0.970	24.638	0.270	6.858	0.135	3.429	0.477	12.116	0.025	0.635	0.116	2.946
37D-M-210-PP	1.654	42.012	1.265	32.131	1.120	28.448	0.270	6.858	0.135	3.429	0.477	12.116	0.025	0.635	0.116	2.946
37D-M-200-SS	1.654	42.012	1.265	32.131	1.120	28.448	0.270	6.858	0.135	3.429	0.477	12.116	0.025	0.635	0.116	2.946
51D-M-210-PP	1.604	40.742	1.215	30.861	1.090	27.686	0.313	7.950	0.157	3.988	0.520	13.208	0.025	0.635	0.116	2.946
51D-M-200-SS	1.604	40.742	1.215	30.861	1.090	27.686	0.313	7.950	0.157	3.988	0.520	13.208	0.025	0.635	0.116	2.946
100D-M-210-PP	2.339	59.411	1.800	45.720	1.515	38.481	0.358	9.093	0.179	4.547	0.563	14.300	0.025	0.635	0.180	4.572
100D-M-200-SS	2.339	59.411	1.800	45.720	1.515	38.481	0.358	9.093	0.179	4.547	0.563	14.300	0.025	0.635	0.180	4.572

PP denotes the availability of finish/plating options. See chart below. Example: 09D-M-210-BD SS - Denotes stainless steel. **Black** = inches **Blue** = mm

### Standard Finish & Plating Options

Finish Type	Specifications	Leader Tech Finish Code
Bright Finish	As Heat Treated	BD (Standard)
Bright Tin	ASTM B-545	SN
Satin Tin/ Matte Tin	ASTM B-545	ST
Electroless Bright Nickel ROHS	ASTM B-733	NI

STATEMENT OF LIEU OF WARRANTY: All technical information and data in this document is based on tests and is believed to be accurate and reliable. Nevertheless, since the products described herein are not provided to conform with mutually accepted specifications and the use thereof is unknown, the manufacturer and seller of the products do not guarantee results, freedom from patent infringement, or suitability of the products for any application thereof. The manufacturer and seller of the products described in this document will provide all possible technical assistance and will replace any products proven defective. No statement or recommendations made by the manufacturer or seller not contained herein shall have any force of effect unless in conformity with an agreement signed by an officer of the seller and manufacturer. Product testing by the purchaser is recommended in order to confirm expected results.