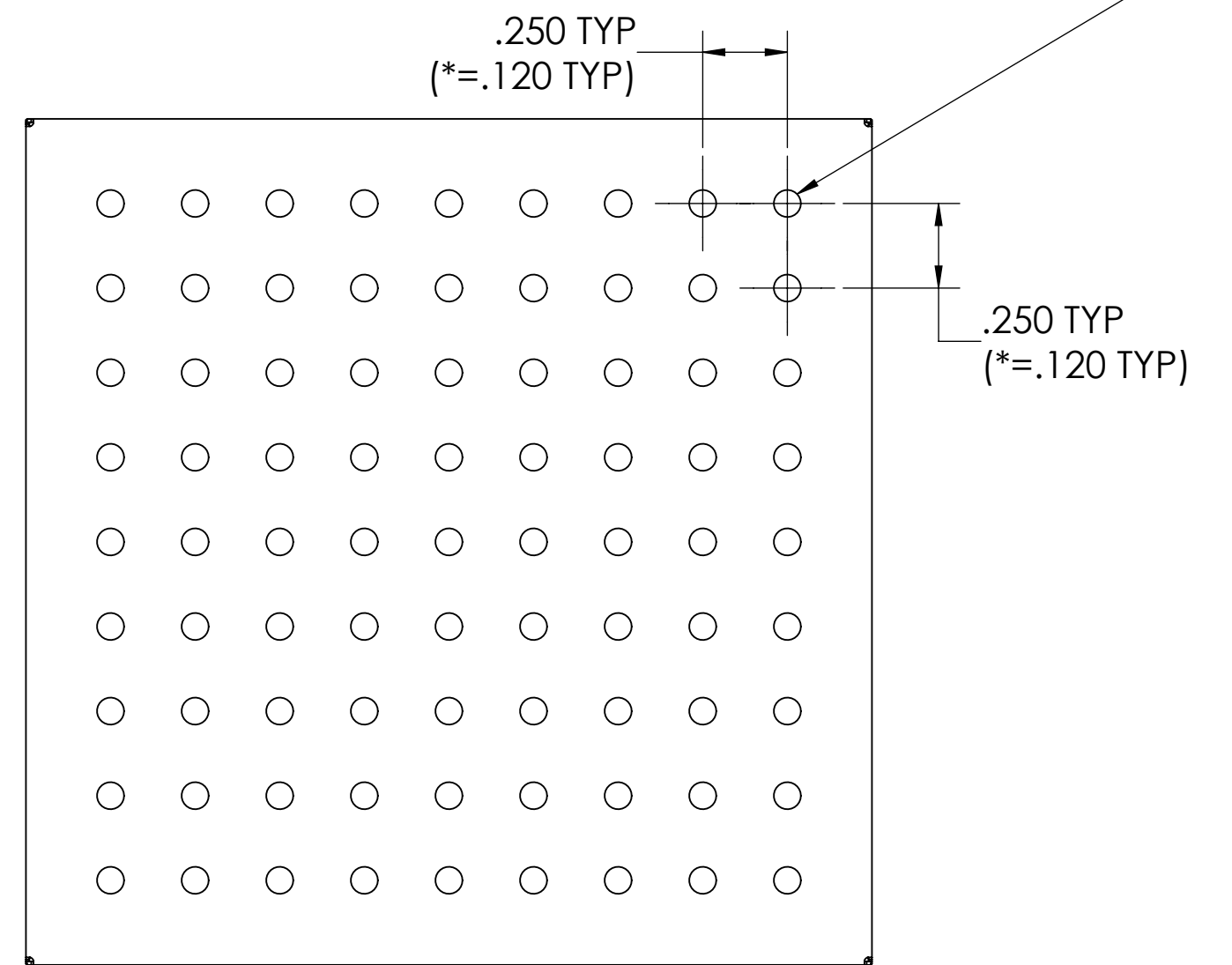
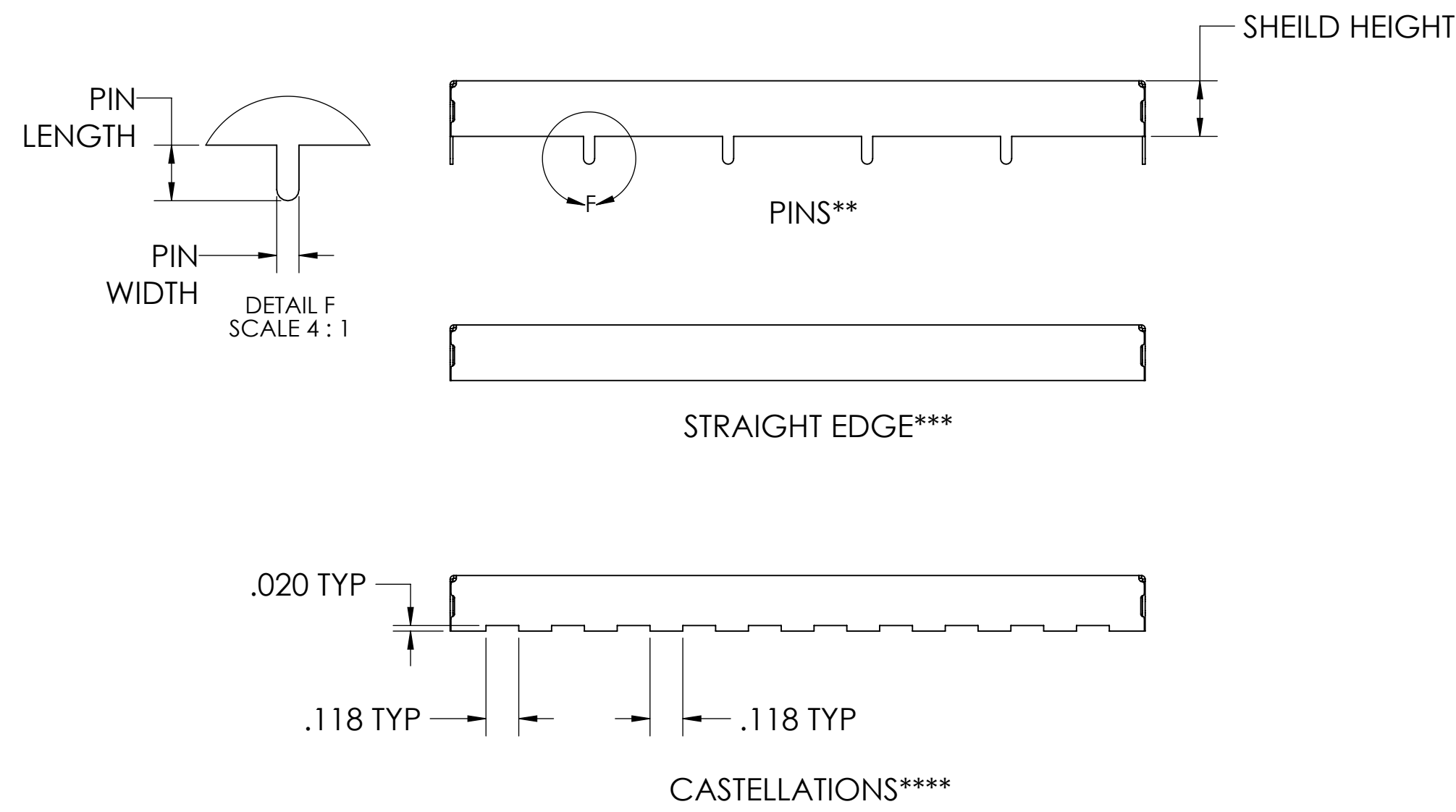
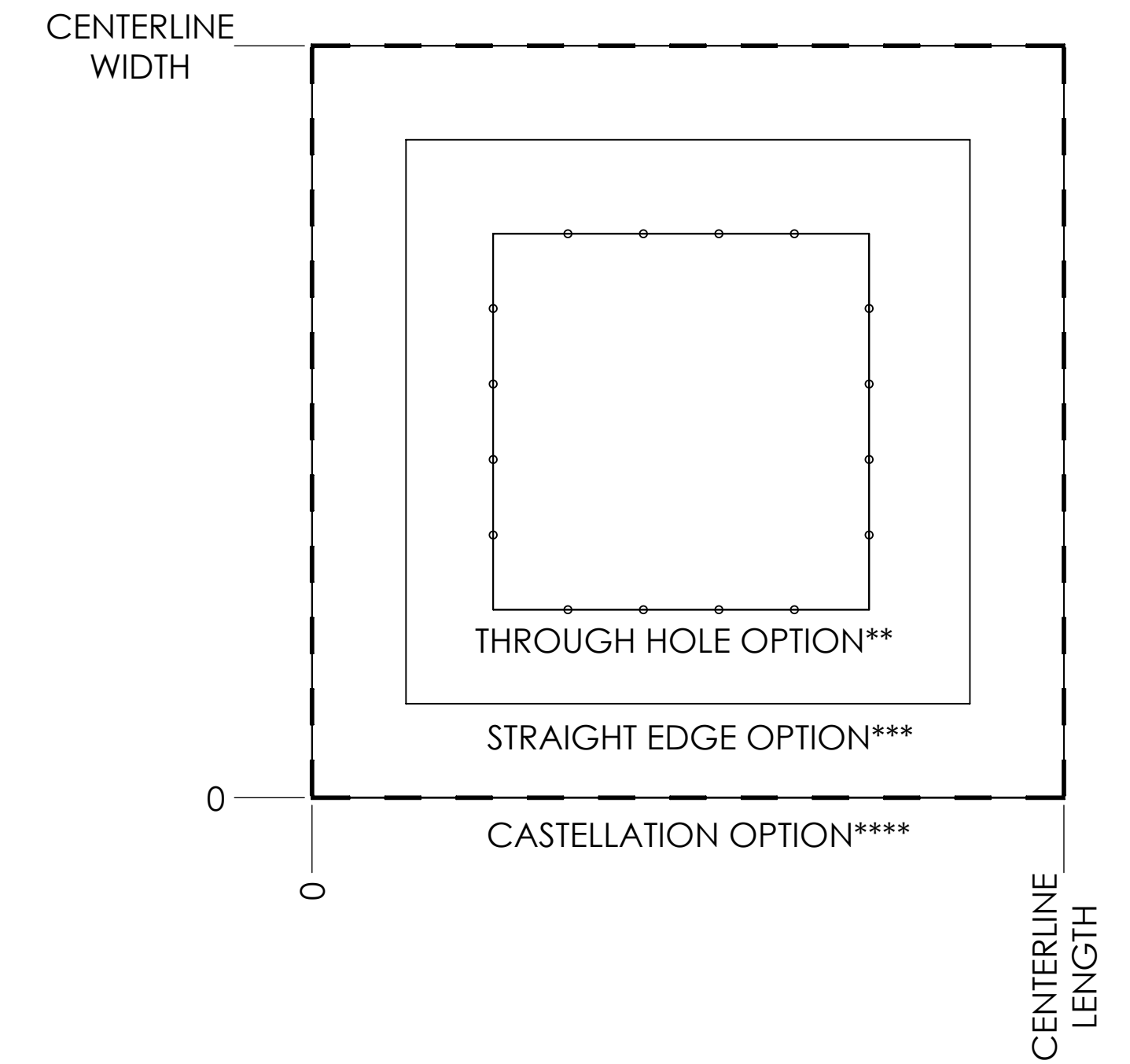
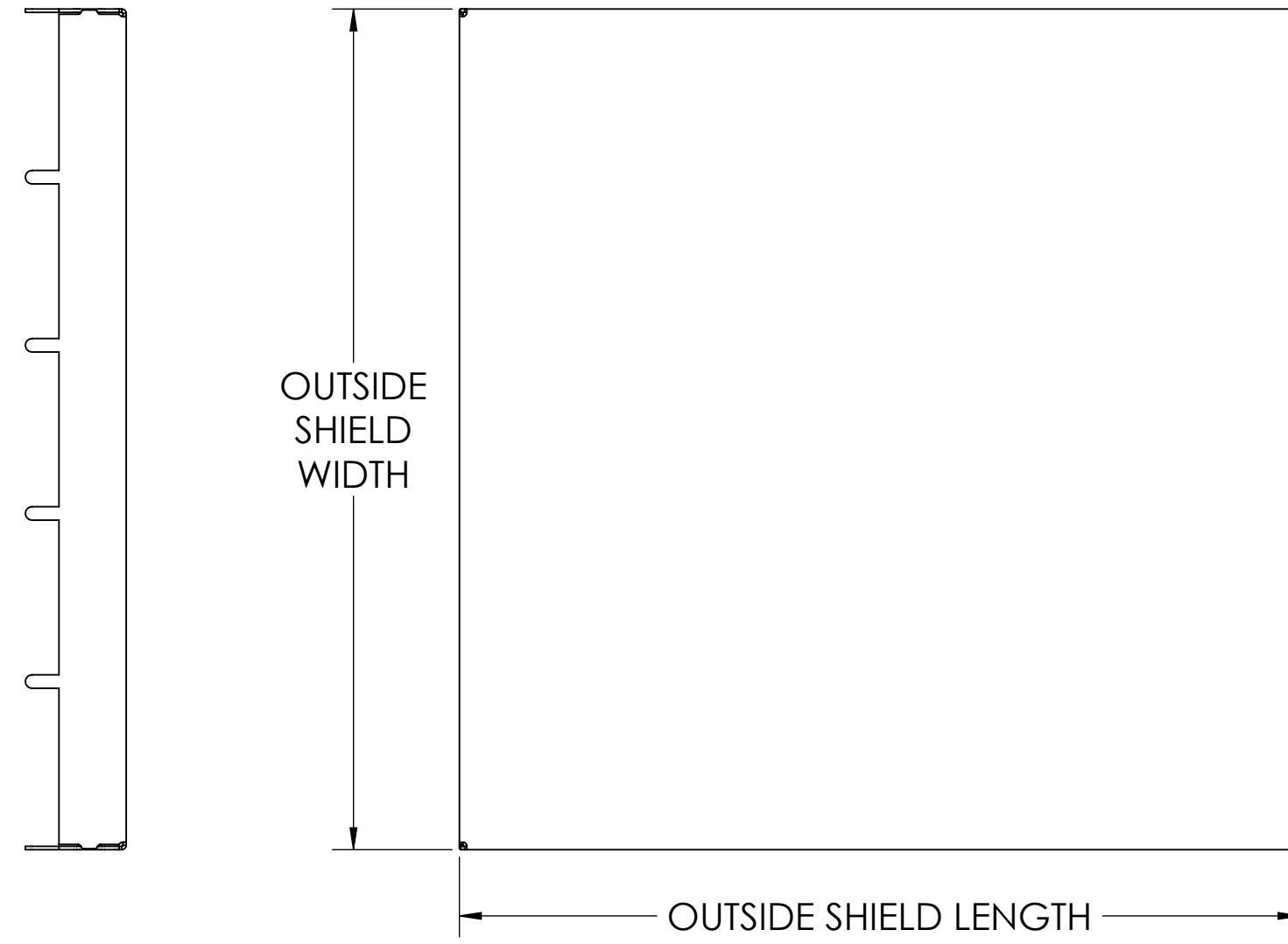


SV HOLE PATTERN



DV HOLE PATTERN

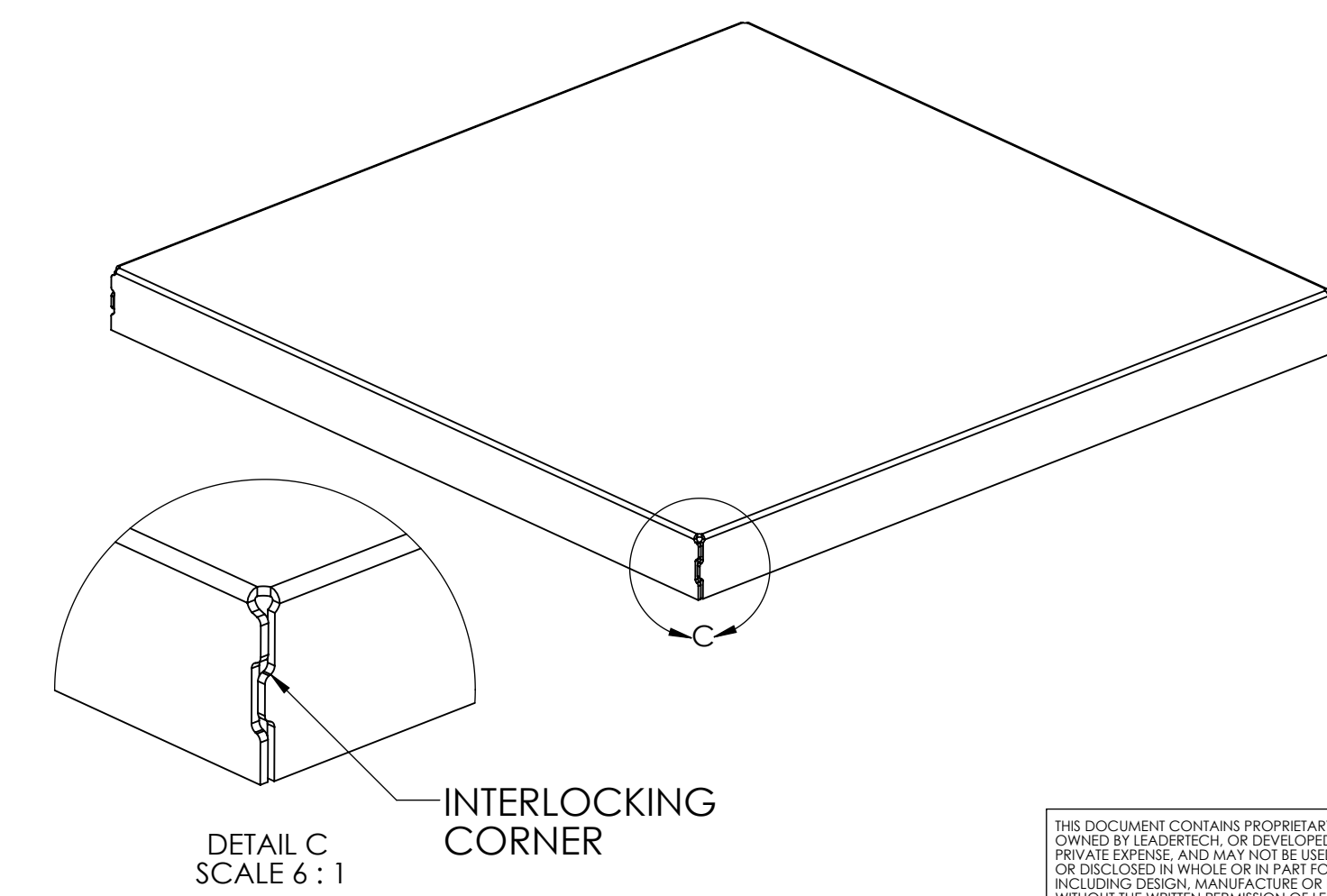
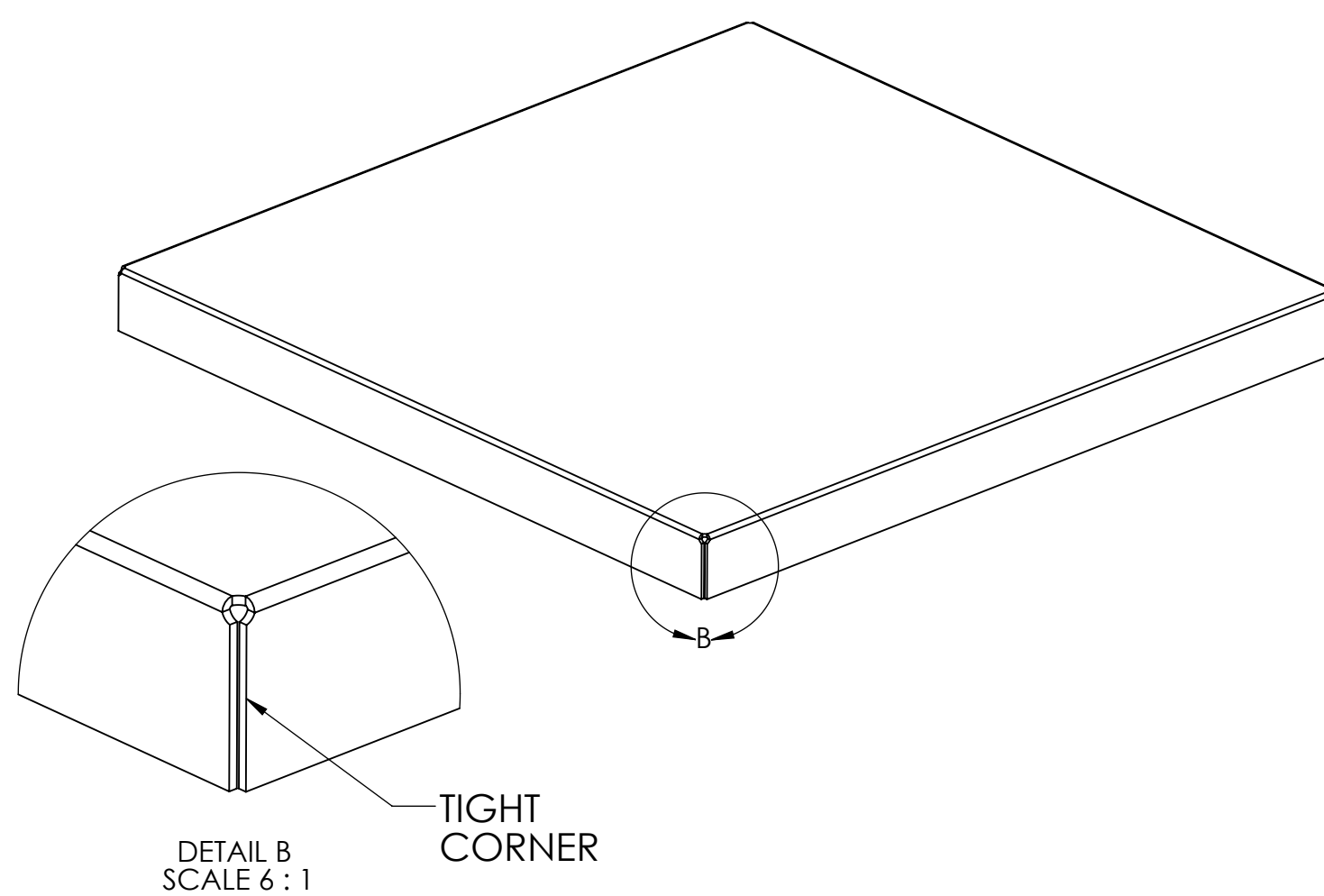
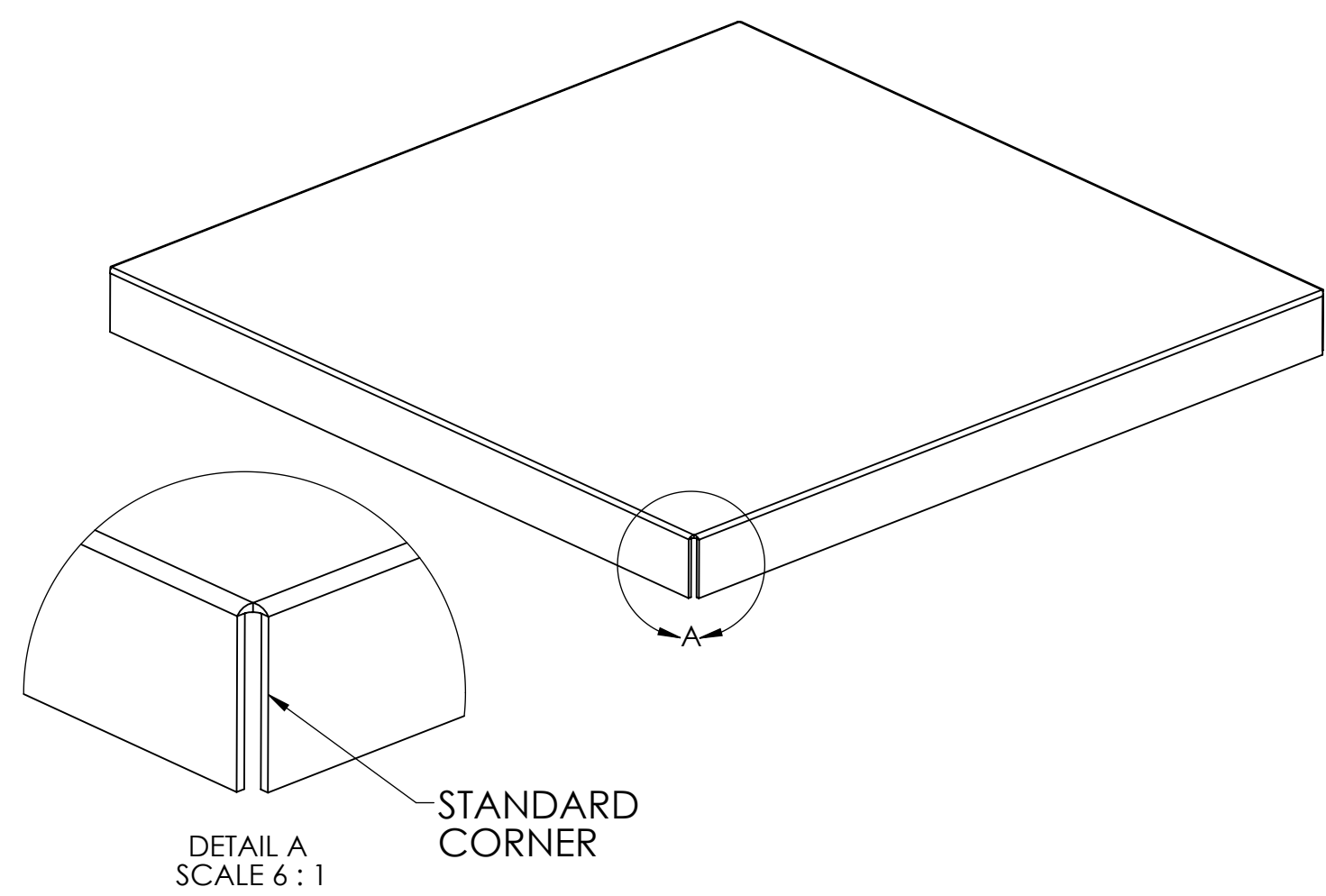
TYPE	OPTION
H1	NONE
H2	Ø .060 SV *
H3	Ø .060 DV *
H4	Ø .080 SV
H5	Ø .080 DV
H6	Ø .118 SV
H7	Ø .118 DV
H8	Ø .156 SV
H9	Ø .156 DV
H20	CUSTOM



- NOTES:
- PIN LOCATIONS AND FREQUENCY BASED ON THE APPLICATION
 - ONE PIECE SHIELDS ARE COMPATIBLE WITH LEADER TECH'S TECH CLIPS

MATERIAL OPTIONS	
TYPE	OPTION
M1	.010 ALLOY 770
M2	.015 ALLOY 770
M3	.010 BRIGHT PRE TIN STEEL
M4	.015 BRIGHT PRE TIN STEEL
M5	.010 MATTE PRE TIN STEEL
M6	.012 MATTE PRE TIN STEEL

PACKAGING OPTIONS	
TYPE	OPTION
P1	STANDARD LAYER PACK
P2	CUSTOM TRAY PACK
P3	TAPE AND REEL
P4	CUSTOM



FEATURE	TYPE/VALUE
CENTERLINE LENGTH	
CENTERLINE WIDTH	
SHIELD HEIGHT	
CORNER TYPE	
MATERIAL	
EDGE	
PIN SIZE	
VENT HOLE	
PACKAGING OPTIONS	

UNLESS OTHERWISE SPECIFIED:
 - ALL DIMENSIONS ARE IN INCHES
 - PART SHALL BE FREE OF BURRS AND SHARP EDGES
 - ALL DIMENSIONS SHOWN APPLY BEFORE PLATING AND COATINGS
 - ROHS COMPLIANT PER EU DIRECTIVE 2002/95/EC
 - POI = POINT OF INTERSECTION

THIRD ANGLE PROJECTION

ANGLES +/- 2°

DRAWN BY: JG 2012/11/08 RS 2012/11/08

APPROVED BY:

FRISH: SEE NOTE 2

MATERIAL: SEE MATERIAL OPTIONS TABLE

LEADER TECH
 a HEICO company
 The Leading Edge in EMI Shielding Technology

TITLE: ONE PIECE SHIELD

SIZE: D 1 PIECE SHIELD C

SCALE: 2:1 CAGE CODE: 4J674 SHEET: 1 OF 1

THIS DOCUMENT CONTAINS PROPRIETARY INFORMATION OWNED BY LEADERTECH OR DEVELOPED AT ITS OWN PRIVATE EXPENSE AND MAY NOT BE USED, REPRODUCED OR DISCLOSED IN WHOLE OR IN PART FOR ANY PURPOSE INCLUDING DESIGN, MANUFACTURE OR PROCUREMENT WITHOUT THE WRITTEN PERMISSION OF LEADERTECH. LEADERTECH DOES NOT GUARANTEE OR WARRANT THE PERFORMANCE CHARACTERISTICS.