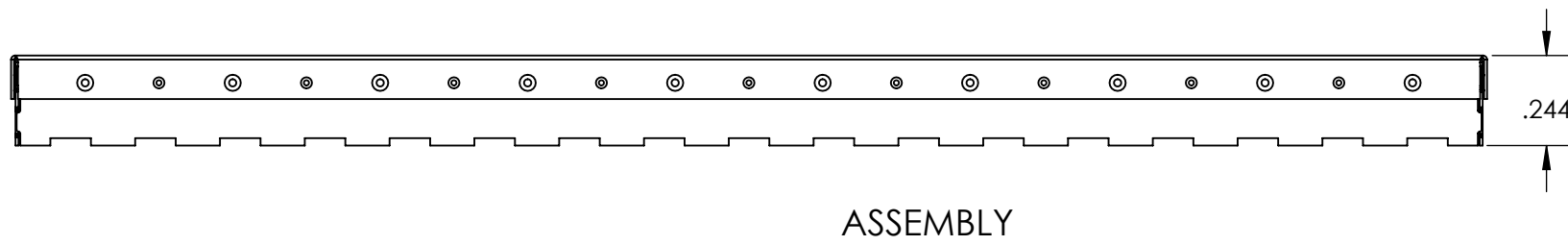
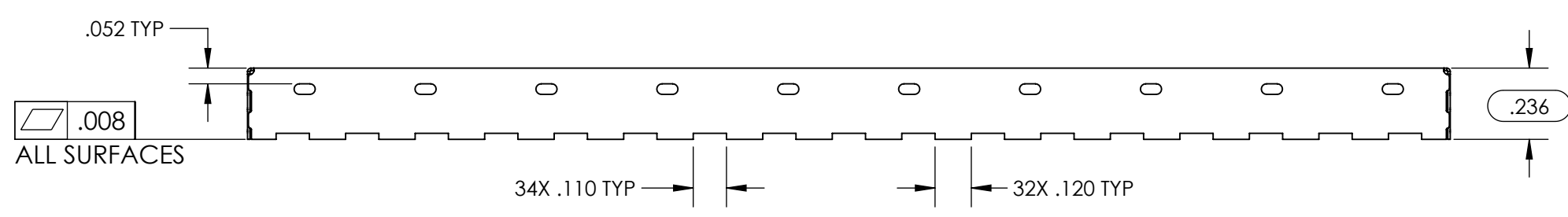
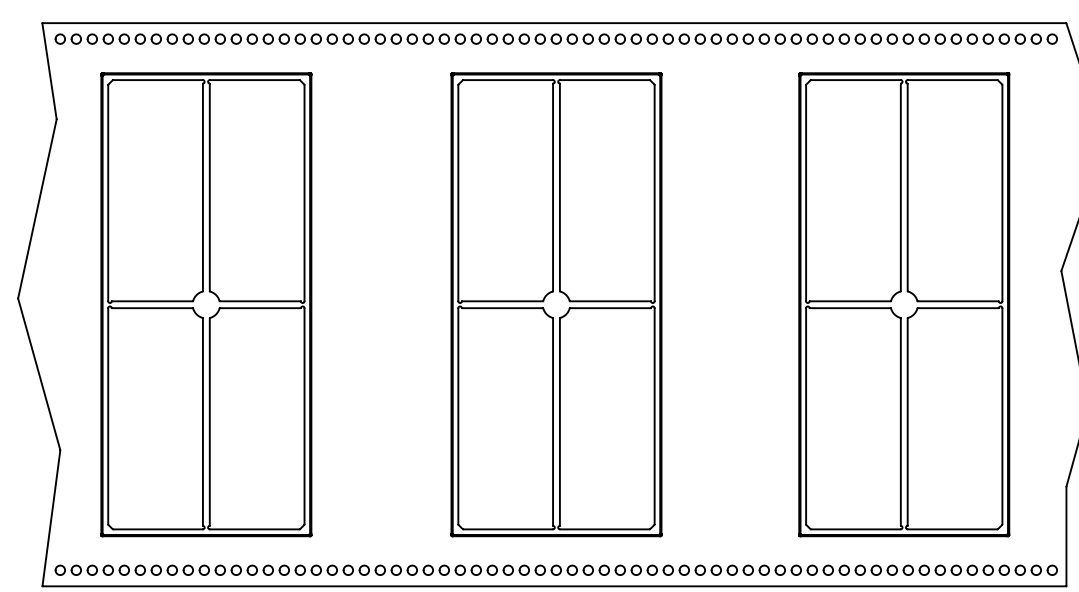
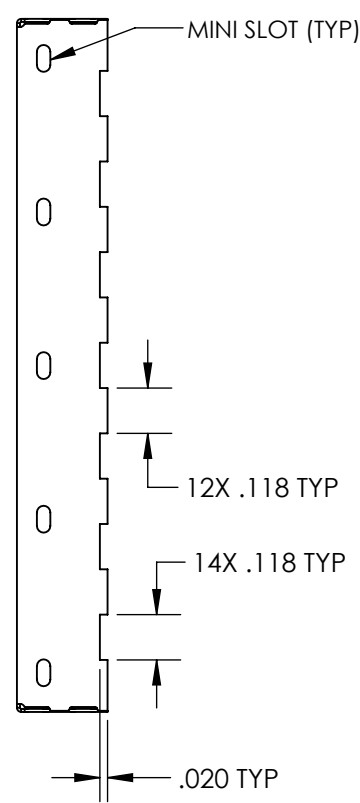
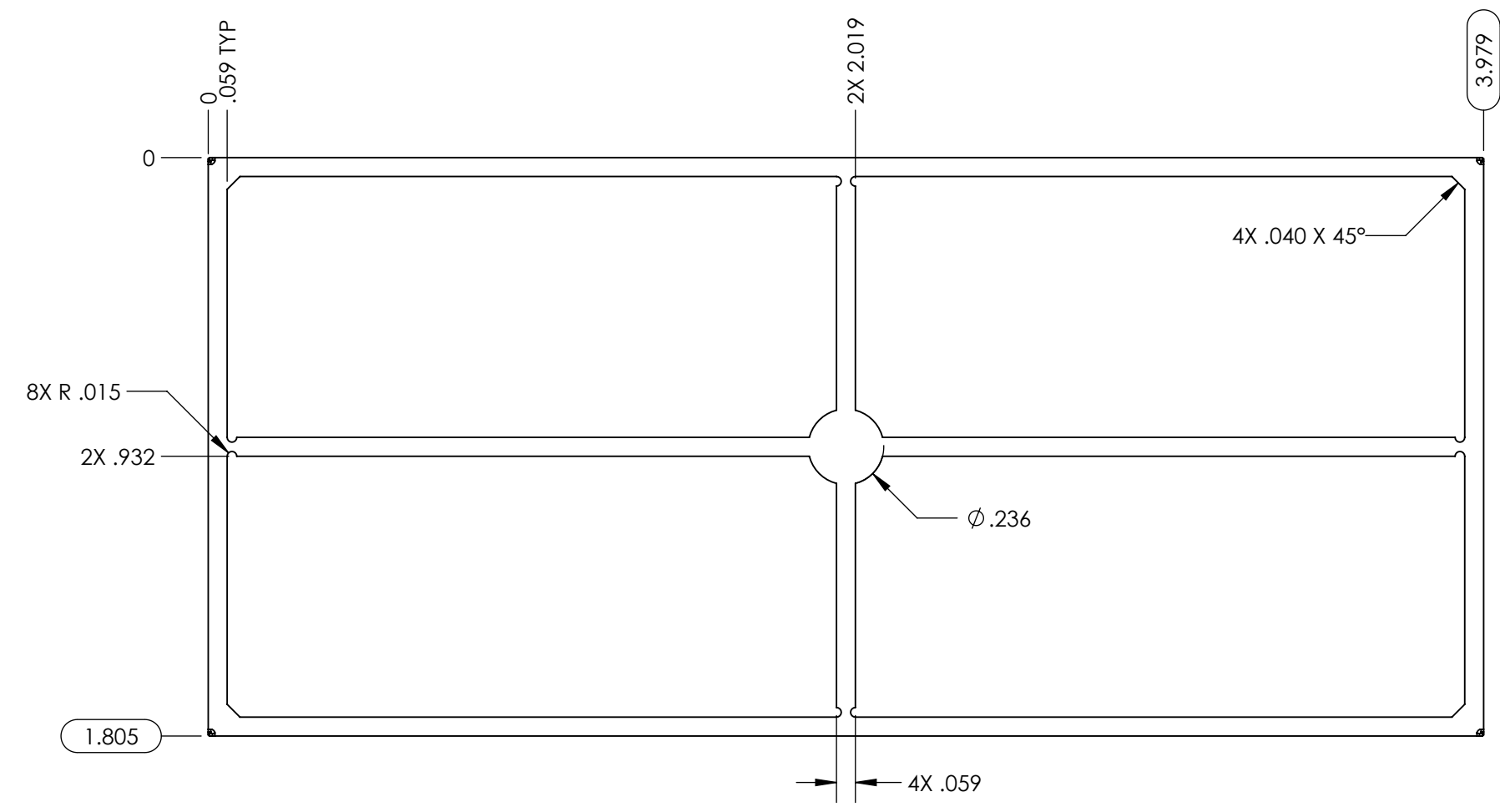
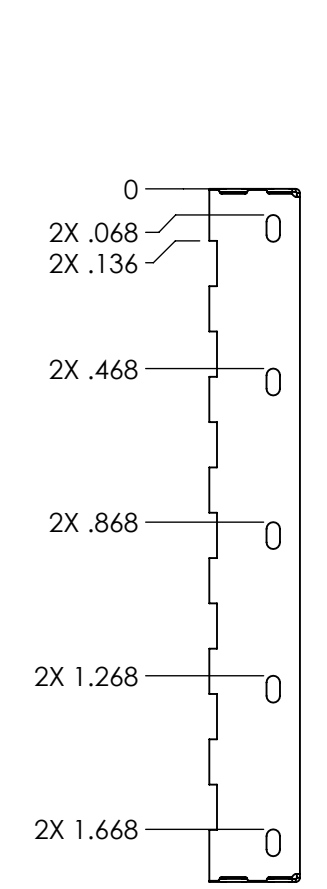
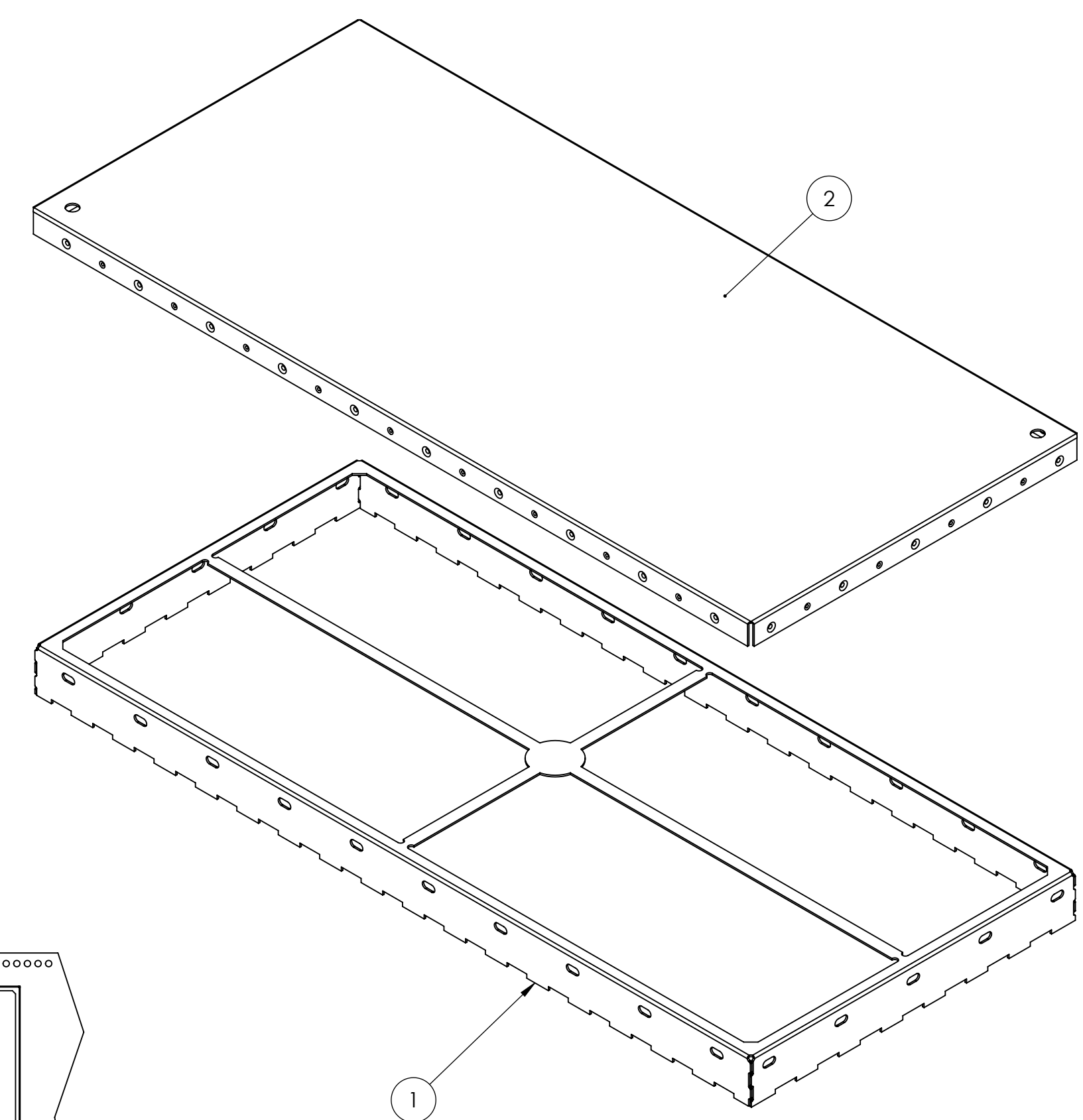
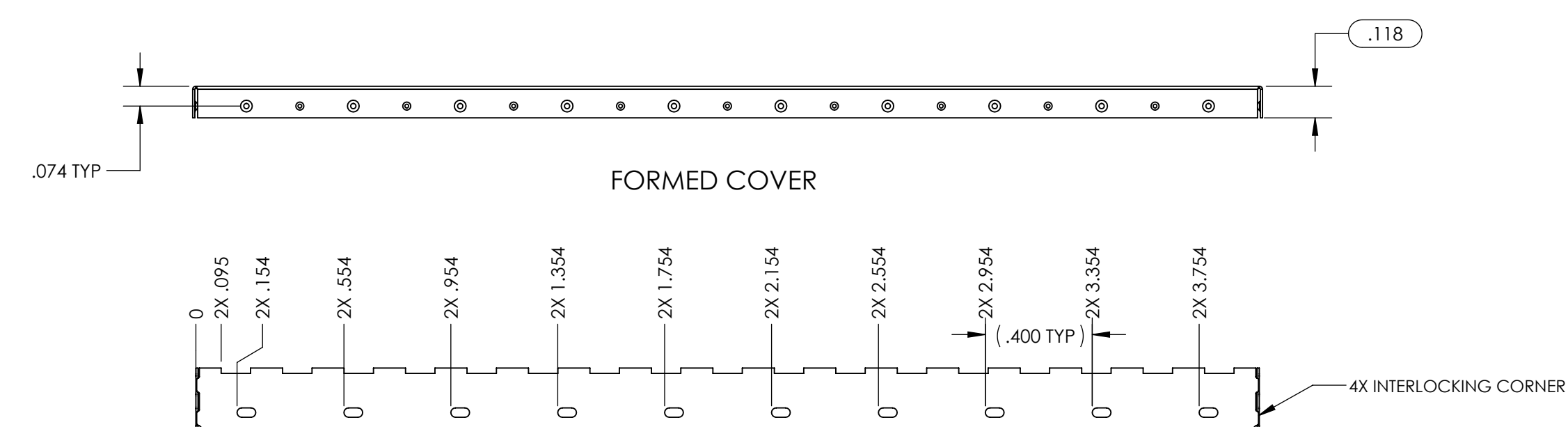
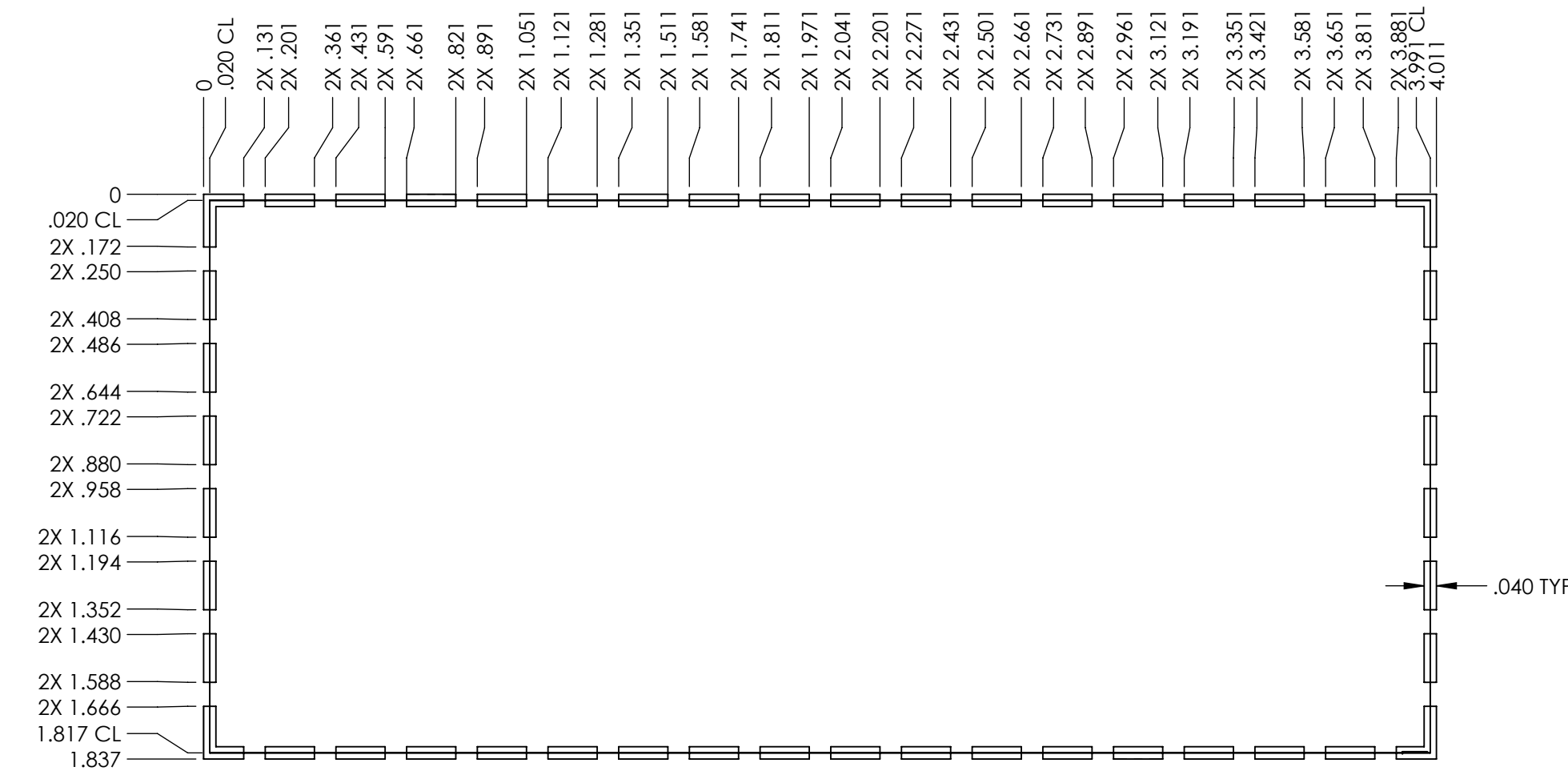
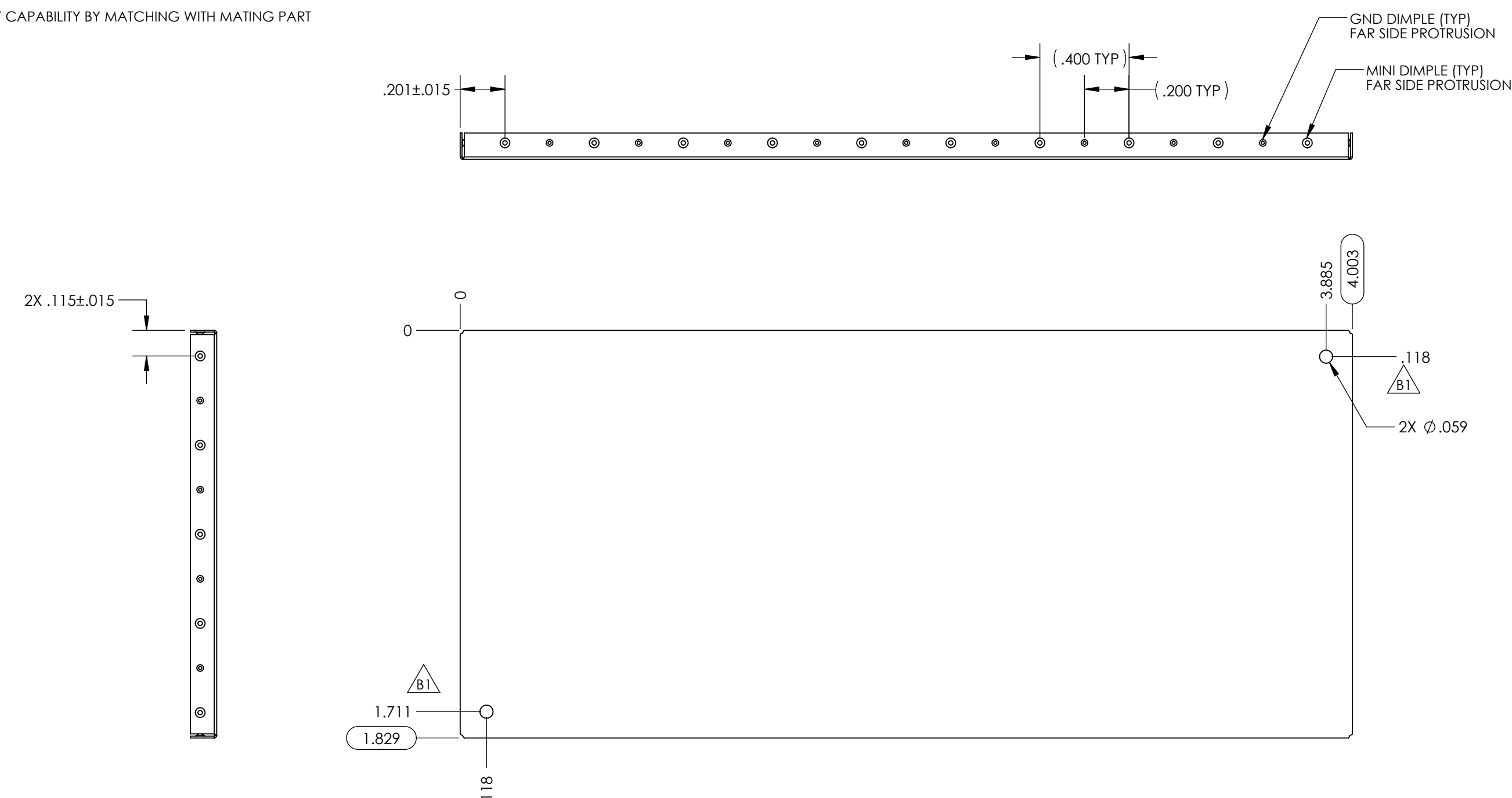


NOTES:  
1. ASSURE ASSEMBLY CAPABILITY BY MATCHING WITH MATING PART

REVISIONS			
REV.	DESCRIPTION	CHANGED BY	APPROVED BY
A1	PRODUCTION RELEASE	-	-
B1	.059 DIA HOLES MOVE TO OPPOSITE CORNERS	SDH 2021-07-21	



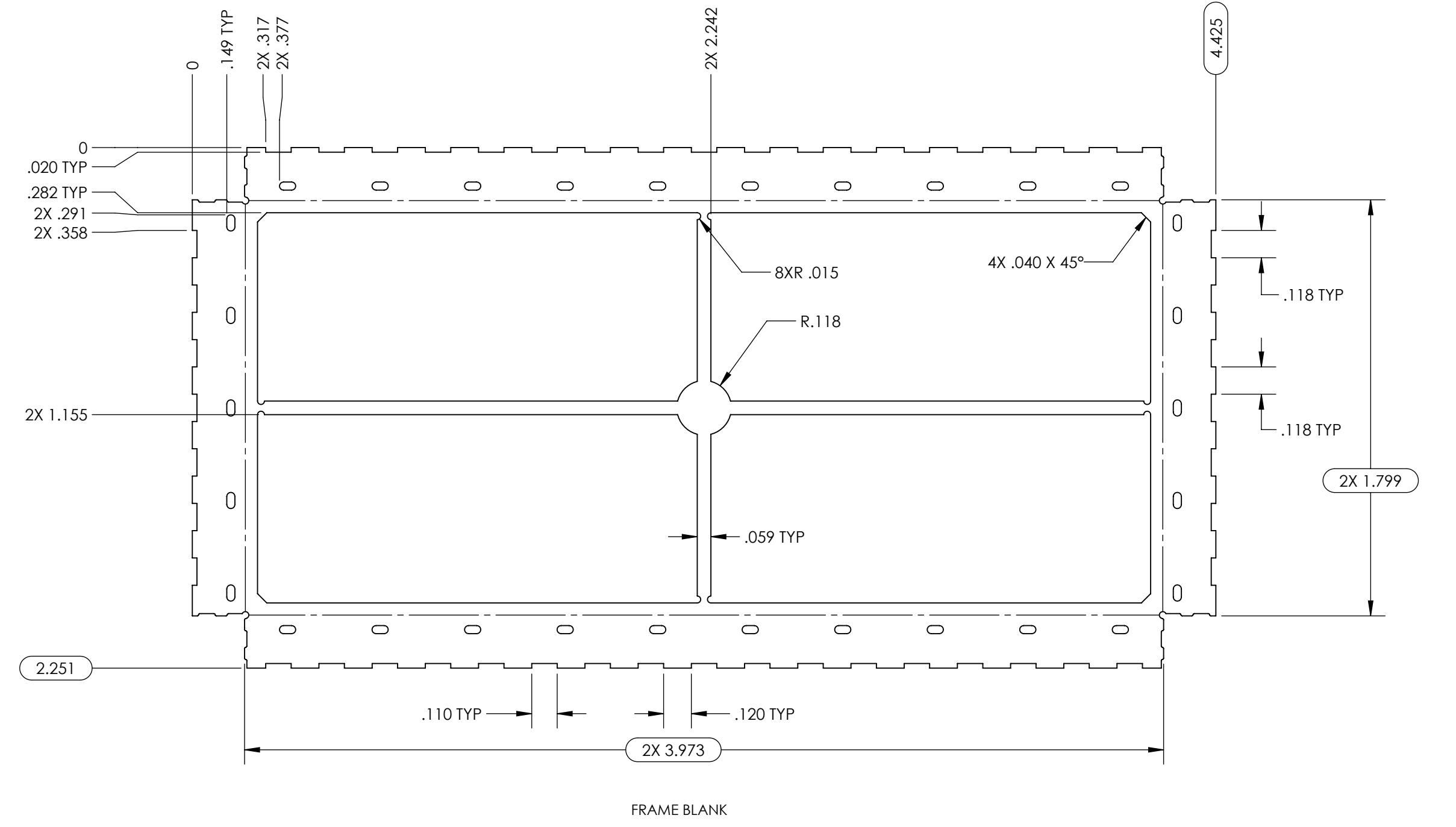
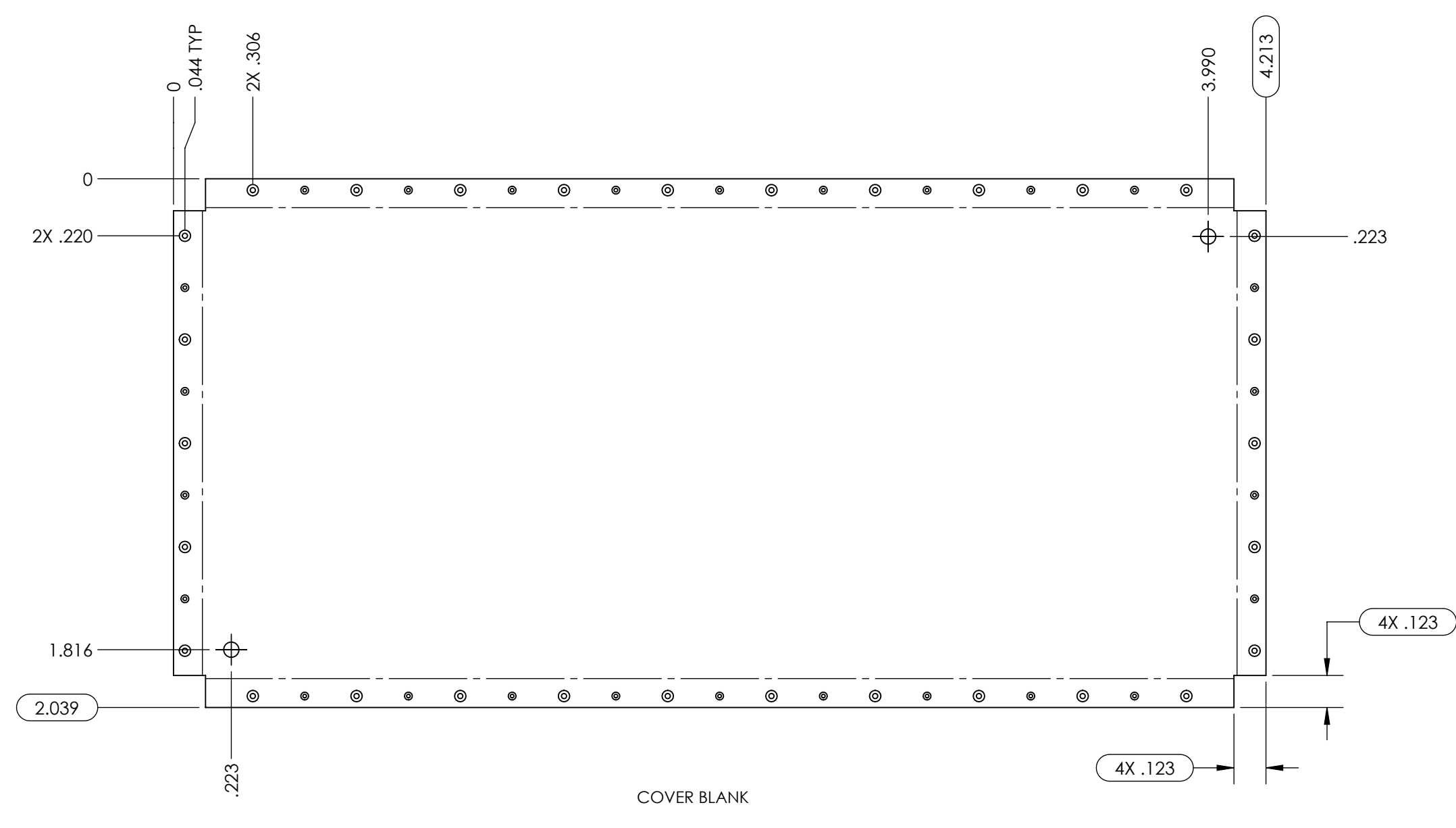
CARRIER TAPE SPECIFICATIONS						
PART NUMBER	DESCRIPTION	OVERALL DIMENSIONS	OVERALL HEIGHT	CARRIER TAPE WIDTH	CARRIER TAPE PITCH	PARTS PER REEL
SMS-463-N-F	FRAME	1.805 X 3.979 [45.85 X 101.07]	.236 [5.99]	120 mm	56 mm	130
SMS-463-N-C	COVER	1.829 X 4.003 [46.46 X 101.68]	.118 [3.00]	N/A	N/A	BULK PACK

THIS DOCUMENT CONTAINS PROPRIETARY INFORMATION OWNED BY LEADERTECH. OR DEVELOPED AT ITS OWN PRIVATE EXPENSE AND MAY NOT BE USED, DUPLICATED OR DISCLOSED IN WHOLE OR IN PART FOR ANY PURPOSE INCLUDING DESIGN, MANUFACTURE OR PROCUREMENT WITHOUT THE WRITTEN PERMISSION OF LEADERTECH. LEADERTECH DOES NOT GUARANTEE OR WARRANT THE PERFORMANCE CHARACTERISTICS.

ITEM NO.	PART NUMBER	DESCRIPTION	QTY.
1	SMS-463-N-F	FRAME	1
2	SMS-456-N-C	COVER	1

<b>UNLESS OTHERWISE SPECIFIED:</b> - ALL DIMENSIONS ARE IN INCHES - PART SHALL BE FREE OF BURRS AND SHARP EDGES - ALL DIMENSIONS SHOWN APPLY AFTER PLATING AND COATINGS - ROHS COMPLIANT PER EU DIRECTIVE 2011/65/EU - POI = POINT OF INTERSECTION		THIRD ANGLE PROJECTION 	 The Leading Edge in EMI/RFI Shielding Technology
.XXX +/- .005 .XX +/- .010 .X +/- .020 ANGLES +/- 2°		TITLE: SURFACE MOUNT SHIELD	
DRAWN BY: JG	2016-09-22	APPROVED BY:	
FINISH: N/A		SCALE: 2:1	DWG. NO.: 41674
MATERIAL: .008" C77000 H02 (ALLOY 770)			REV: B1
			SHEET: 1 OF 2



THIS DOCUMENT CONTAINS PROPRIETARY INFORMATION OWNED BY LEADERTECH, OR DEVELOPED AT ITS OWN PRIVATE EXPENSE, AND MAY NOT BE USED, DUPLICATED, OR DISCLOSED IN WHOLE OR IN PART FOR ANY PURPOSE INCLUDING DESIGN, MANUFACTURE OR PROCUREMENT WITHOUT THE WRITTEN PERMISSION OF LEADERTECH. LEADERTECH DOES NOT GUARANTEE OR WARRANTY THE PERFORMANCE CHARACTERISTICS.



SIZE:	DWG. NO.:	REV.:
SCALE:	CAGE CODE:	SHEET:
2:1	41674	2 OF 2

D SMS-463-N-MFG B1