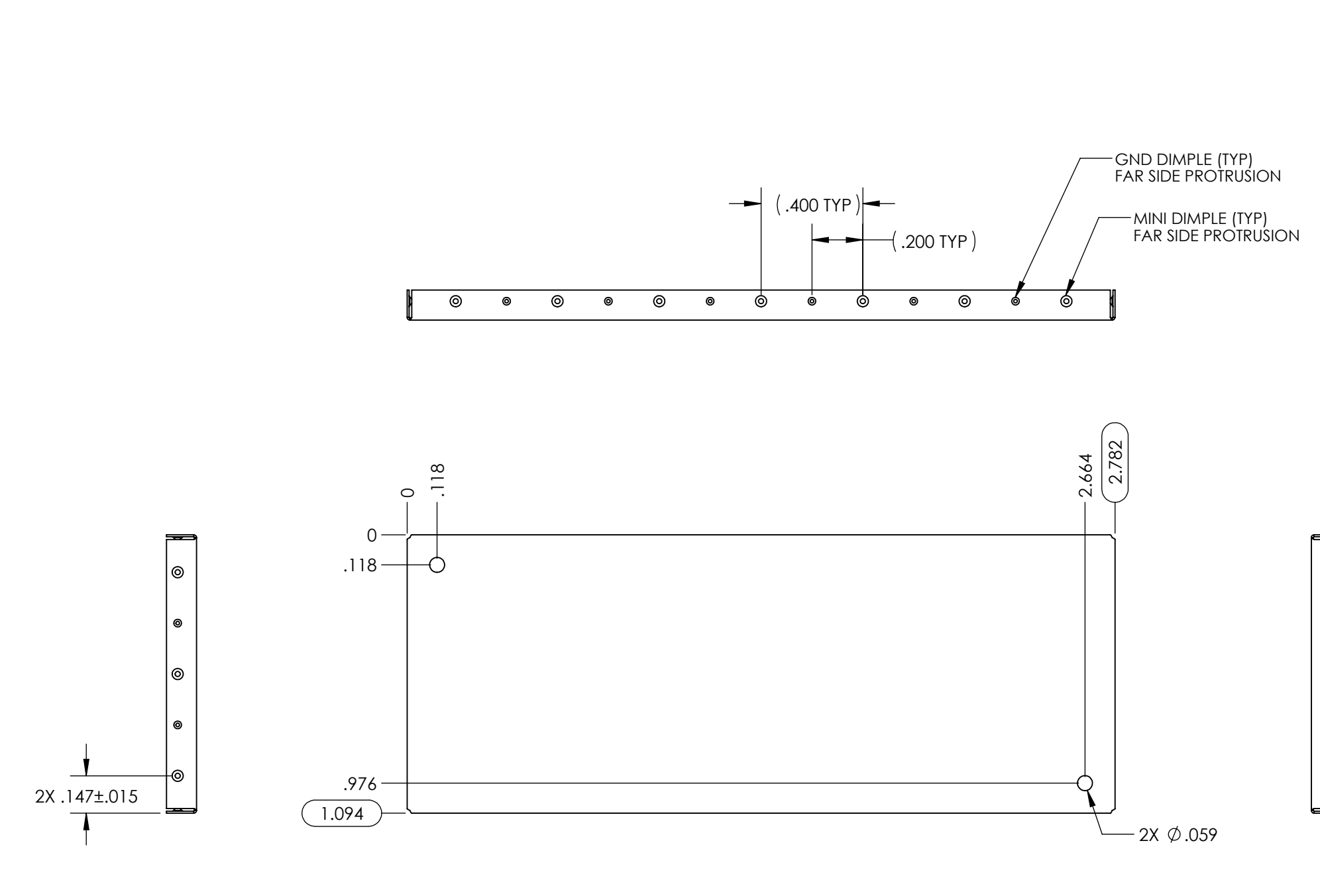
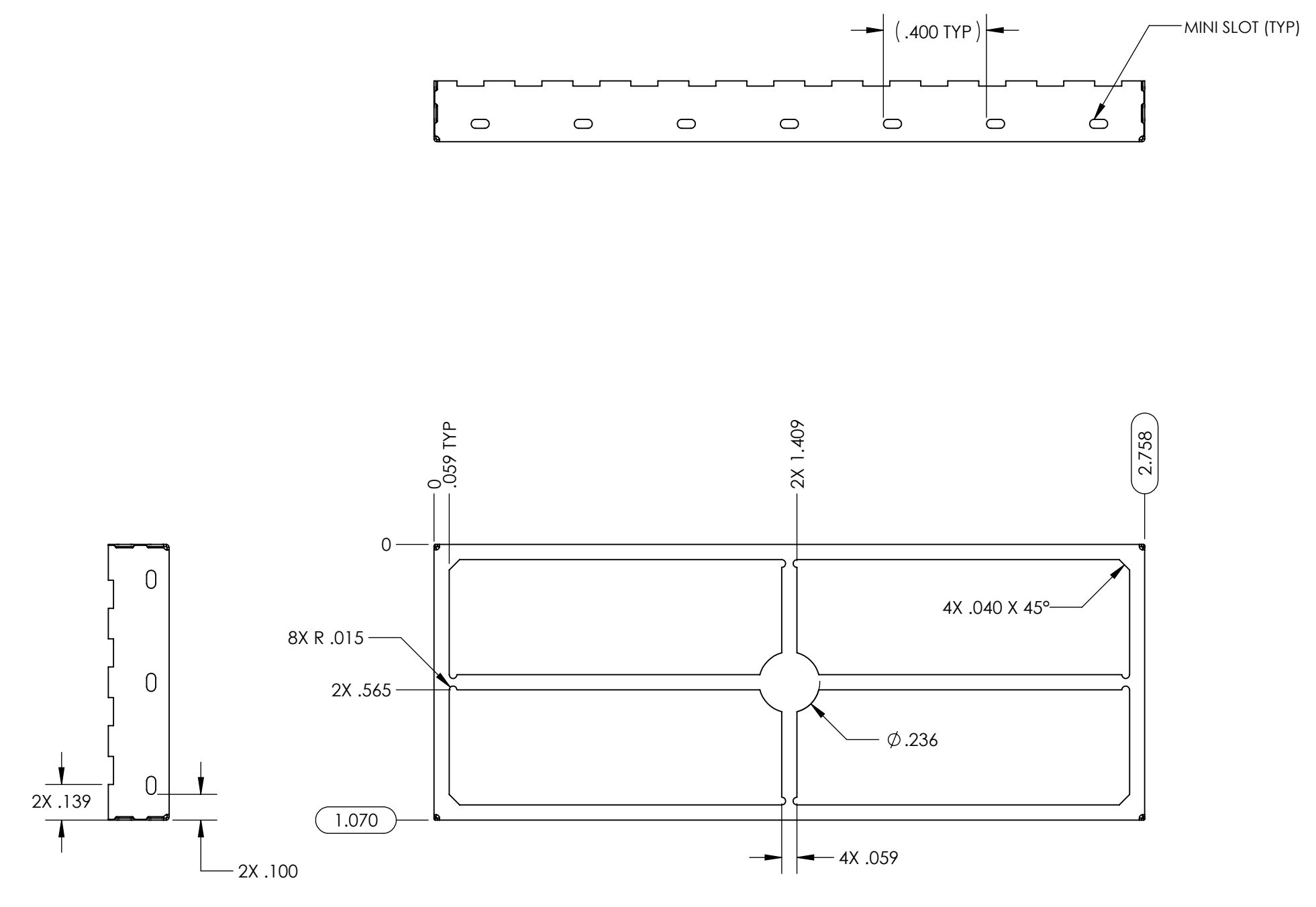


NOTES:
1. ASSURE ASSEMBLY CAPABILITY BY MATCHING WITH MATING PART

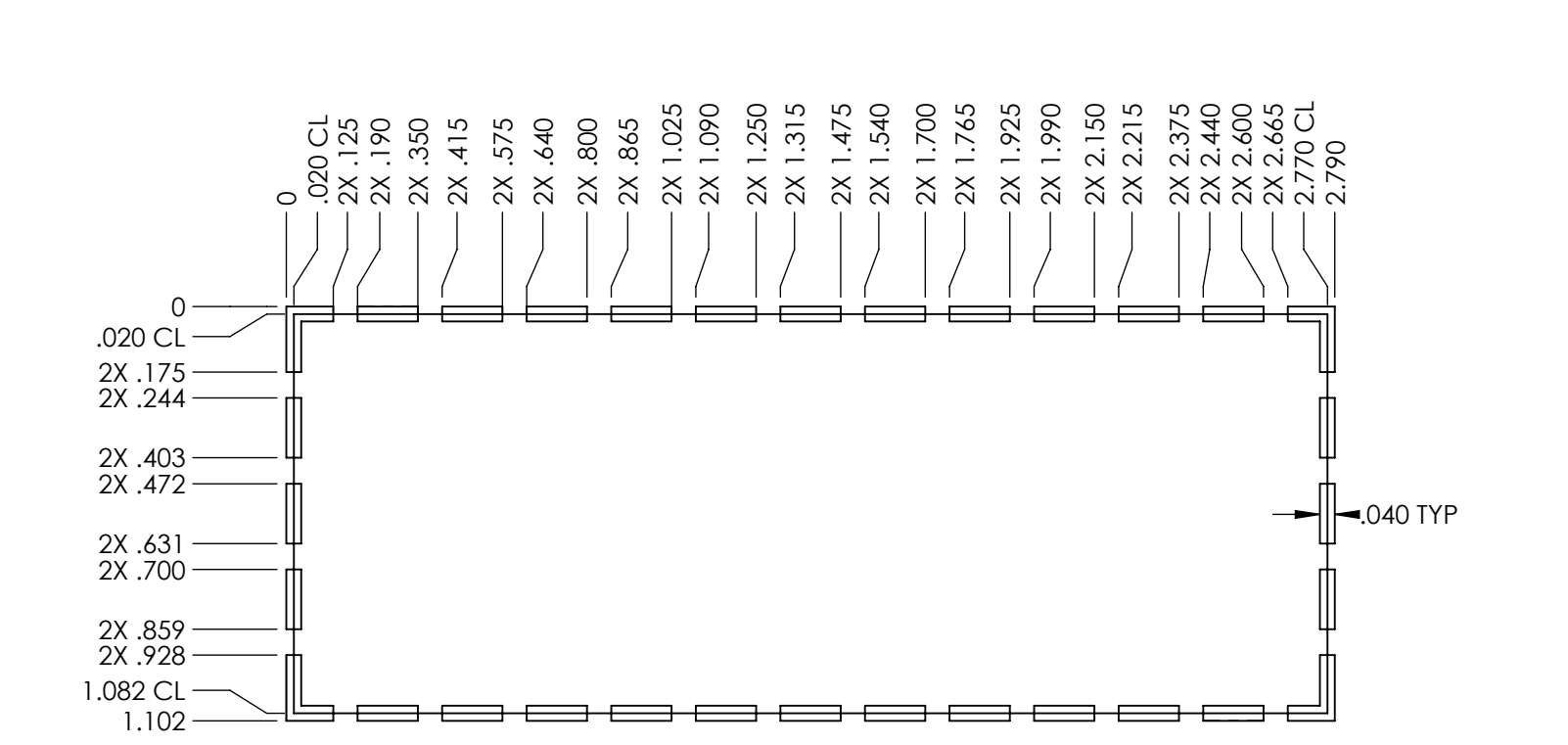
REVISIONS			
REV.	DESCRIPTION	CHANGED BY	APPROVED BY
A1	PRODUCTION RELEASE	-	-



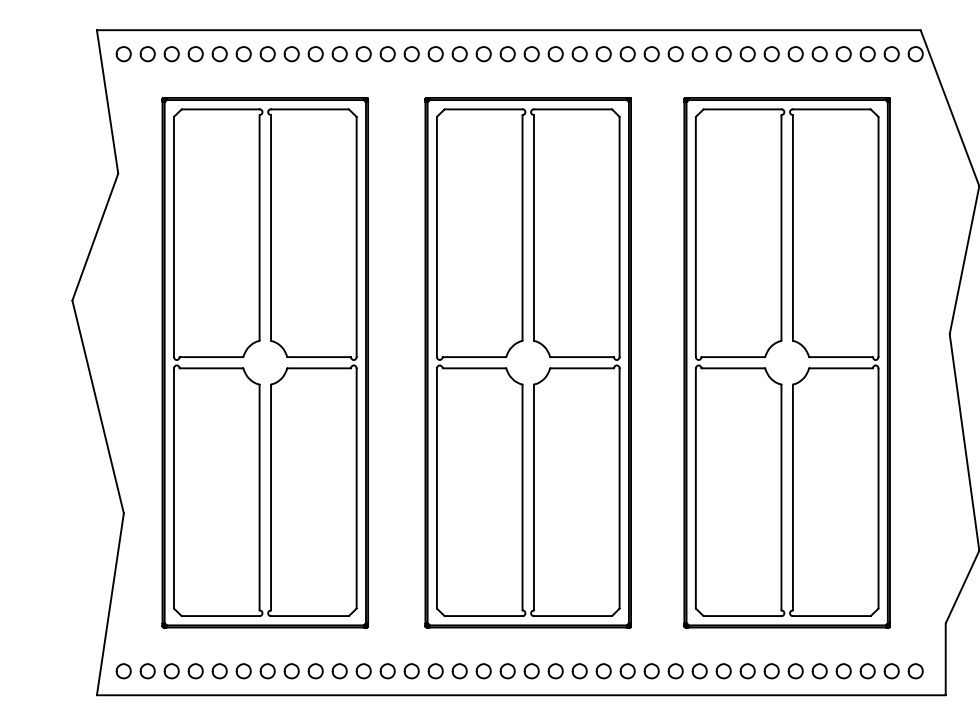
FORMED COVER



FORMED FRAME

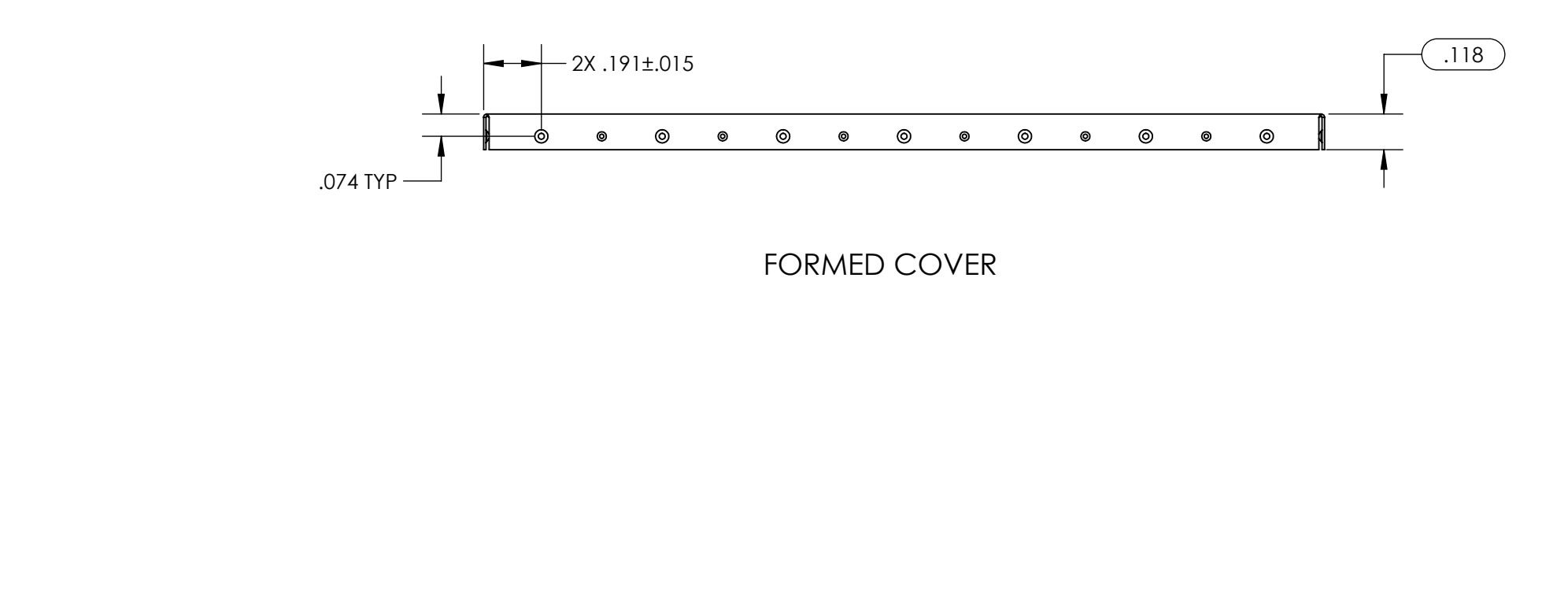


TRACE PATTERN

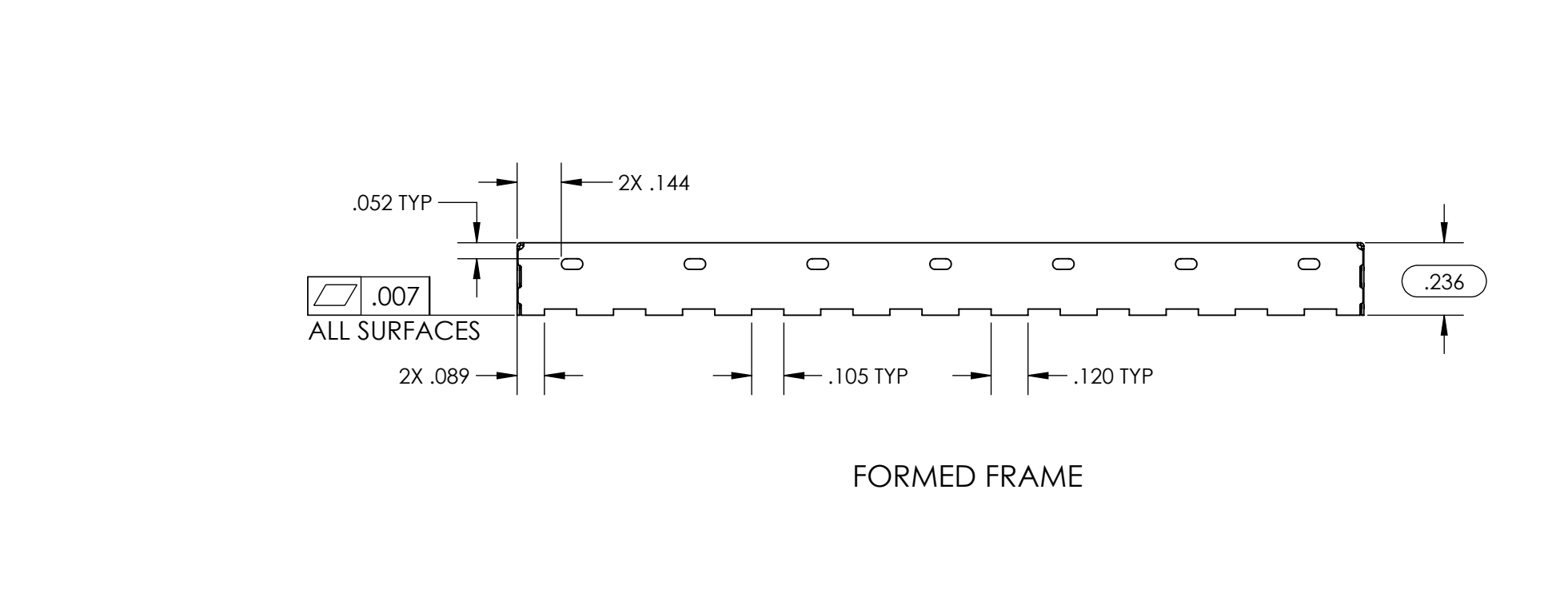


CARRIER TAPE

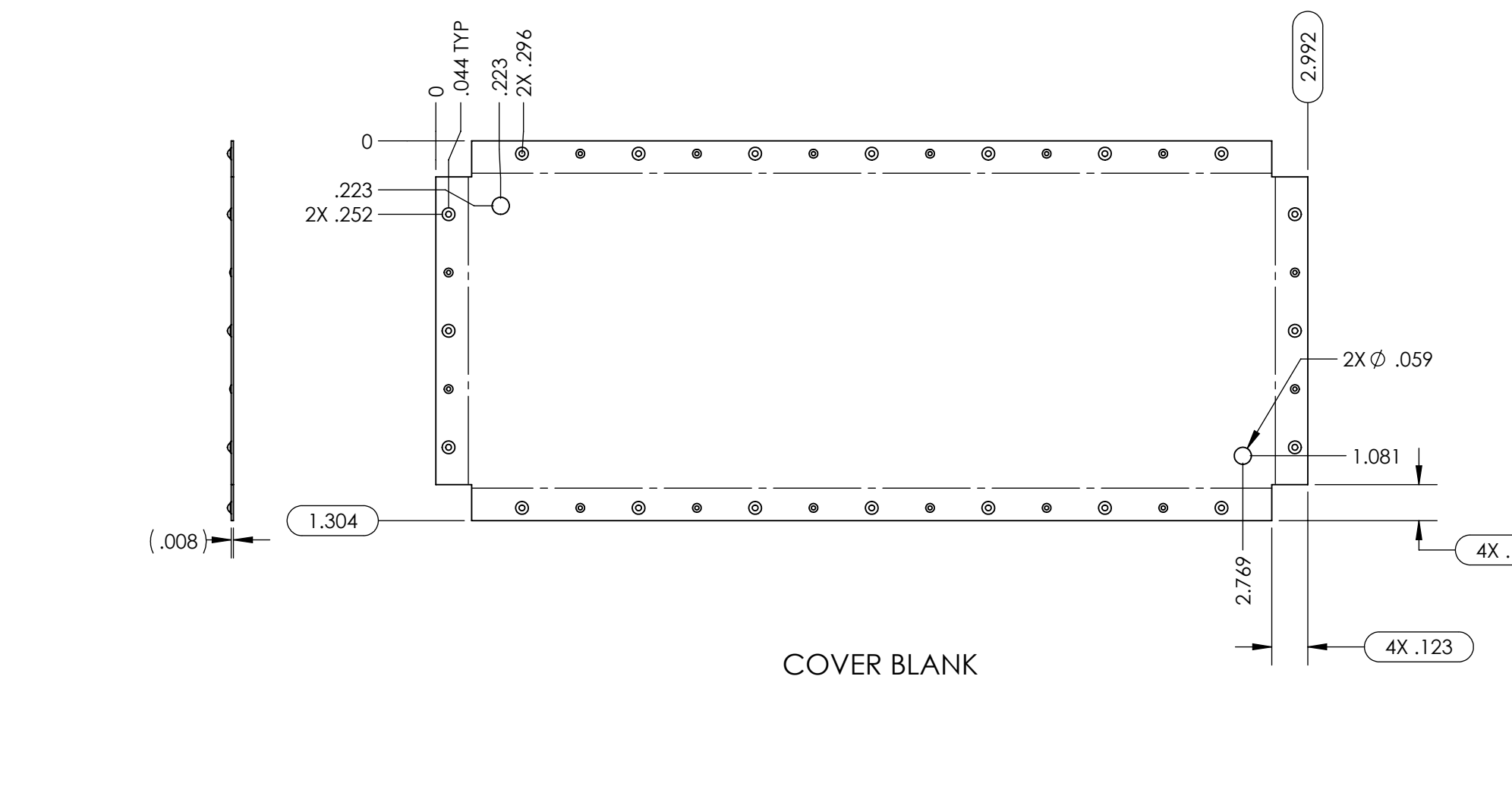
CARRIER TAPE SPECIFICATIONS						
PART NUMBER	DESCRIPTION	OVERALL DIMENSIONS	OVERALL HEIGHT	CARRIER TAPE WIDTH	CARRIER TAPE PITCH	PARTS PER REEL
SMS-462F	FRAME	1.070 X 2.758 [27.18 X 70.05]	.236 [5.99]	88 mm	40 mm	250
SMS-462C	COVER	1.094 X 2.782 [27.79 X 70.66]	.118 [3.00]	N/A	N/A	BULK PACK



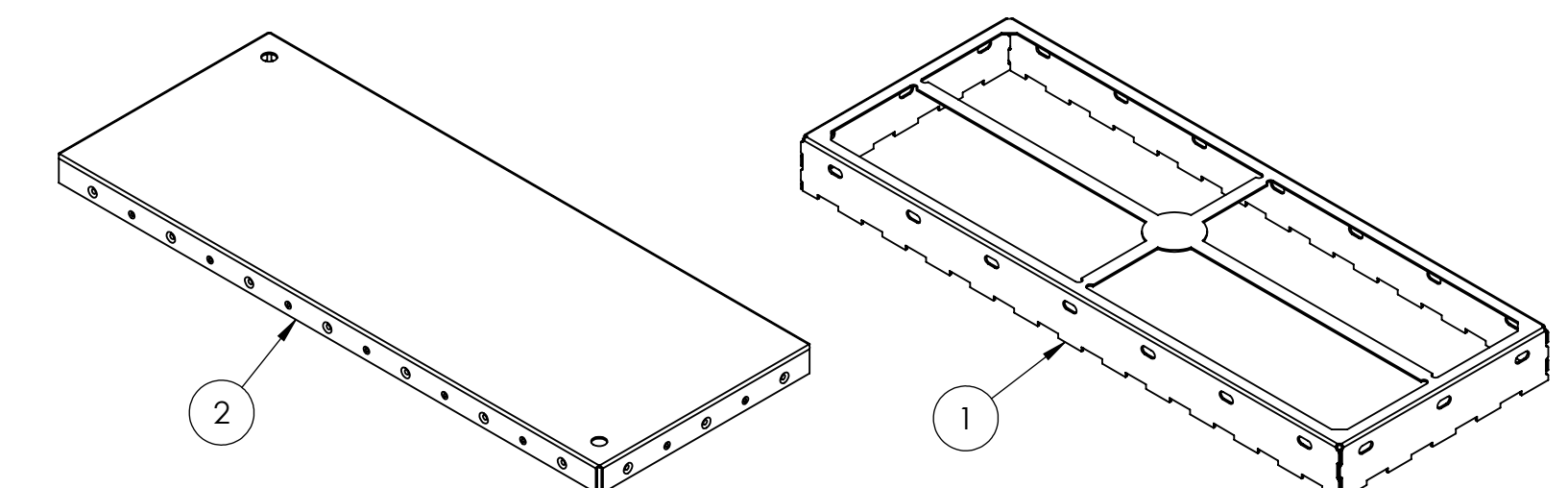
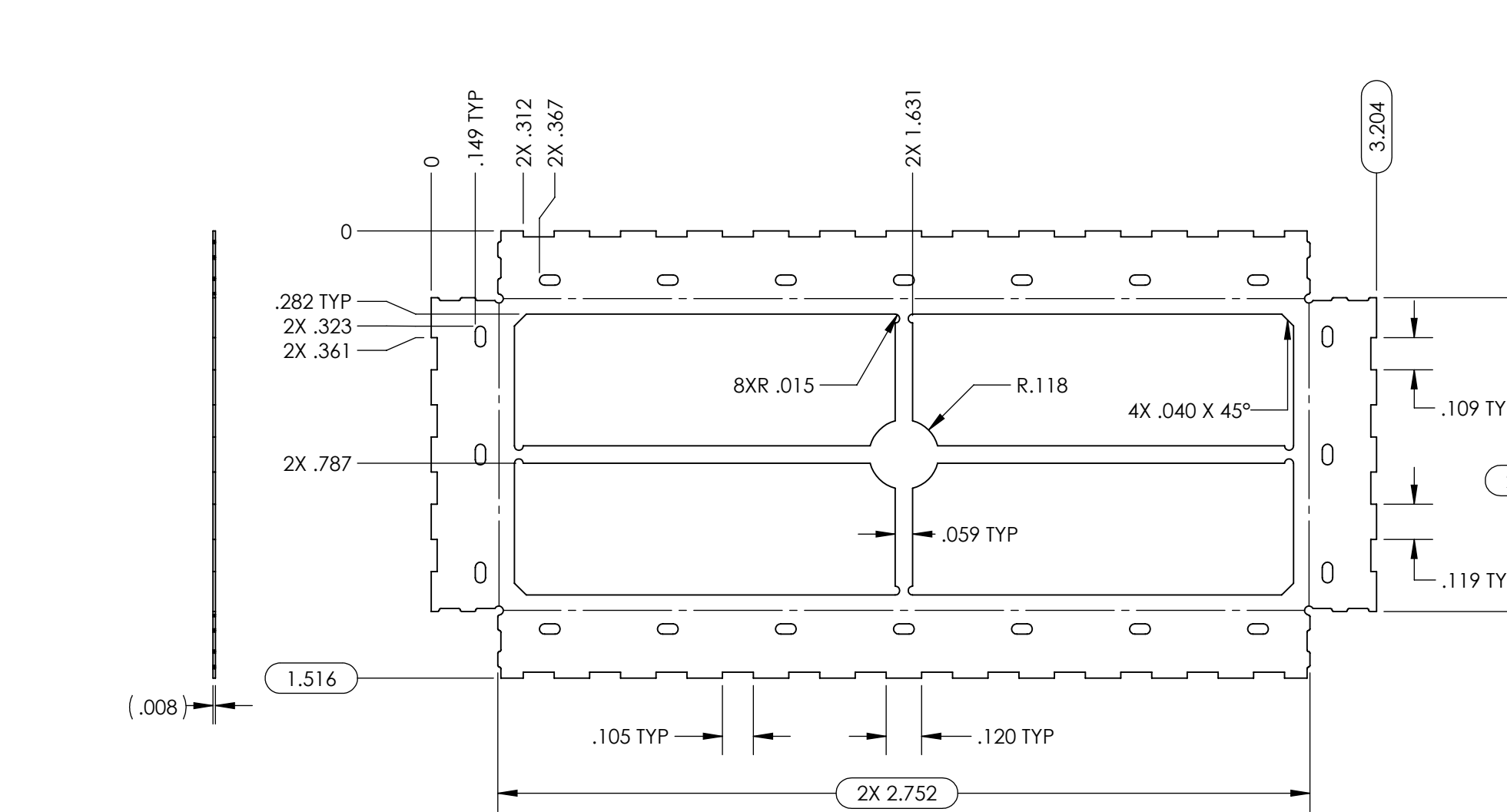
COVER BLANK



FRAME BLANK



ASSEMBLY



THIS DOCUMENT CONTAINS PROPRIETARY INFORMATION OWNED BY LEADERTECH OR DEVELOPED AT ITS OWN PRIVATE EXPENSE AND MAY NOT BE USED, DUPLICATED OR DISCLOSED IN WHOLE OR IN PART FOR ANY PURPOSE INCLUDING DESIGN, MANUFACTURE OR PROCUREMENT WITHOUT THE WRITTEN PERMISSION OF LEADERTECH. LEADERTECH DOES NOT GUARANTEE OR WARRANT THE PERFORMANCE CHARACTERISTICS.

ITEM NO.	PART NUMBER	DESCRIPTION	QTY.
1	SMS-462F	FRAME	1
2	SMS-462C	COVER	1

UNLESS OTHERWISE SPECIFIED:
- ALL DIMENSIONS ARE IN INCHES
- PART SHALL BE FREE OF BURRS AND SHARP EDGES
- ALL DIMENSIONS SHOWN APPLY AFTER PLATING AND COATINGS
- ROHS COMPLIANT PER EU DIRECTIVE 2011/65/EU
- POI = POINT OF INTERSECTION

THIRD ANGLE PROJECTION
ANGLES +/- 2°

DRAWN BY: SDH
APPROVED BY: 2015-11-02

MATERIAL: MATTE
.008" PRE TIN STEEL

SCALE: 2:1
CAGE CODE: 4J674
SHEET: 1 OF 1

DATE: 2015-11-02
DWG. NO.: D SMS-462-MFG
REV: A1

TITLE: SURFACE MOUNT SHIELD

LEADERTECH
a HEICO company
The Leading Edge in PWB Mounting Technology