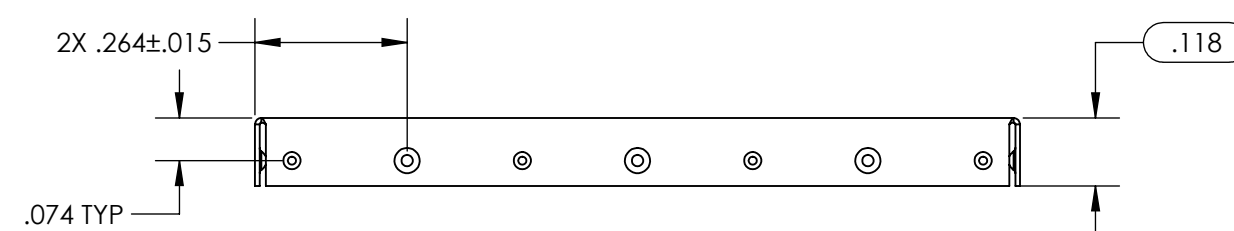
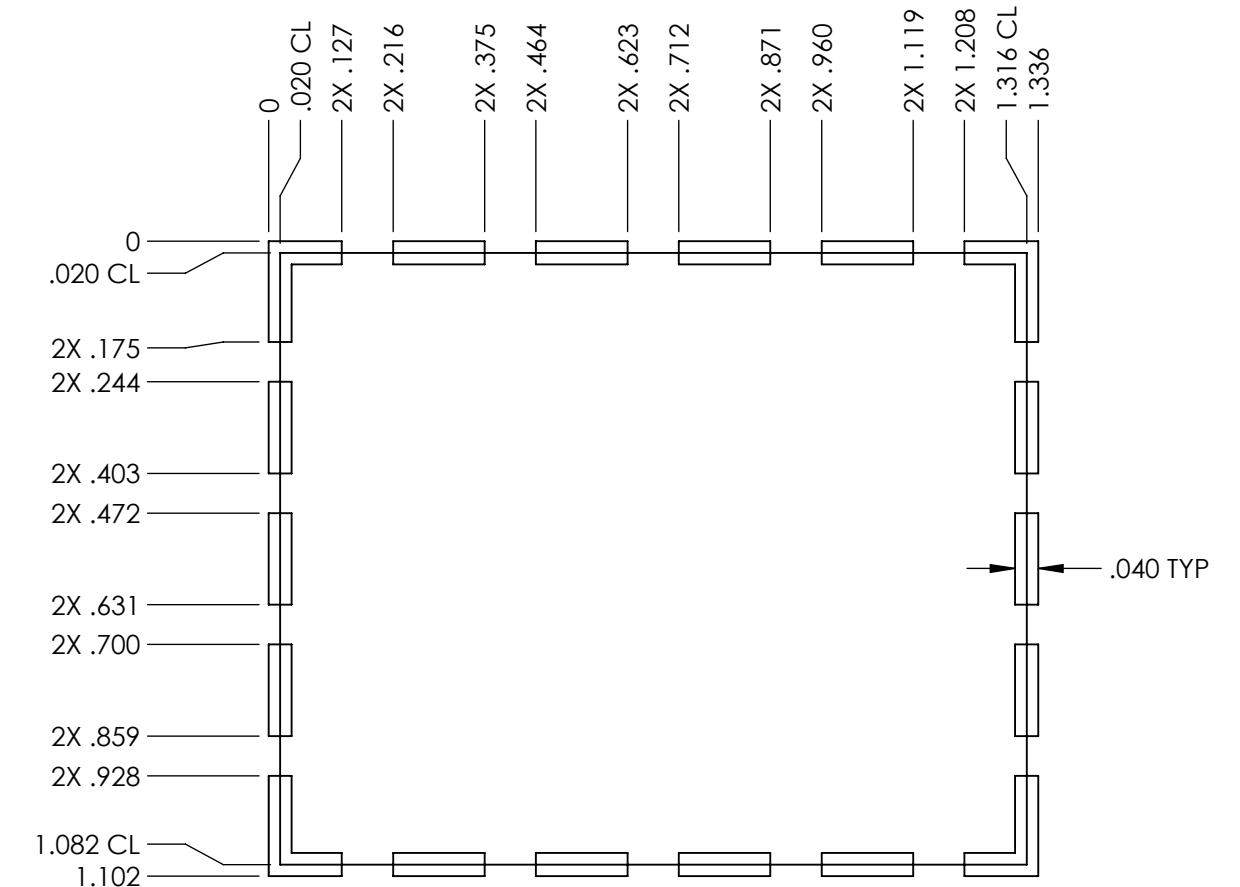
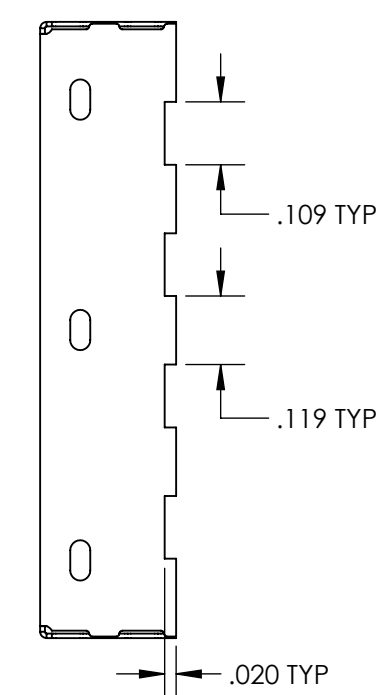
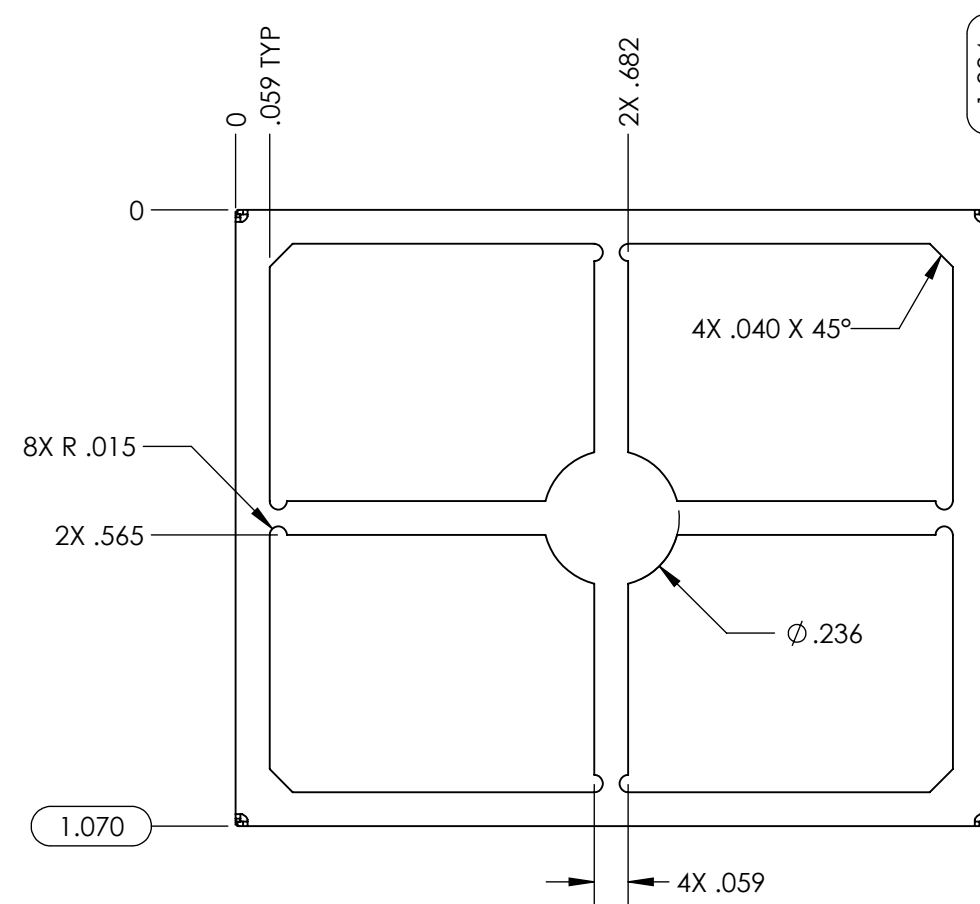
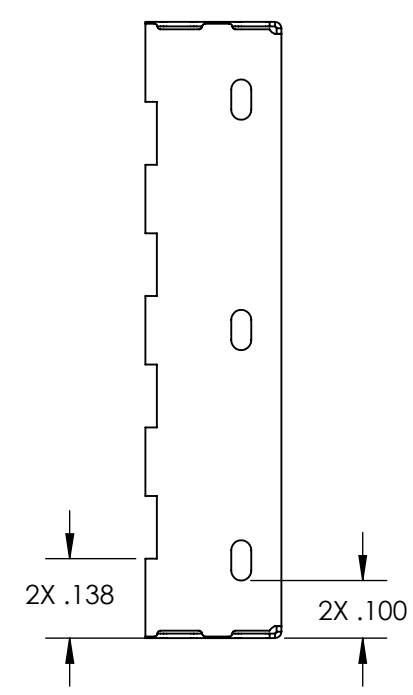
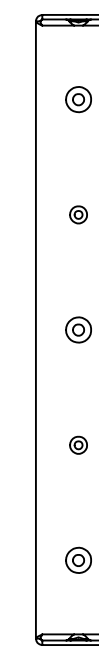
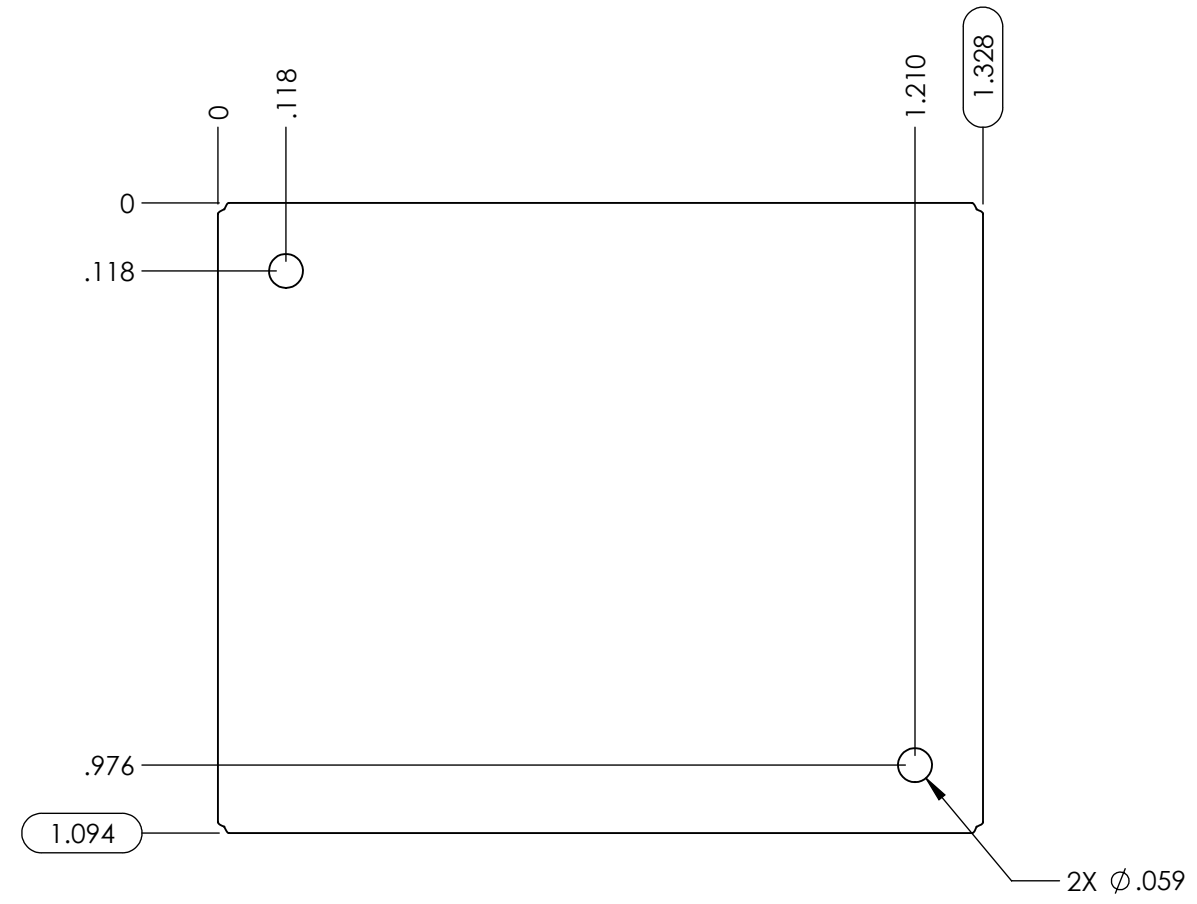
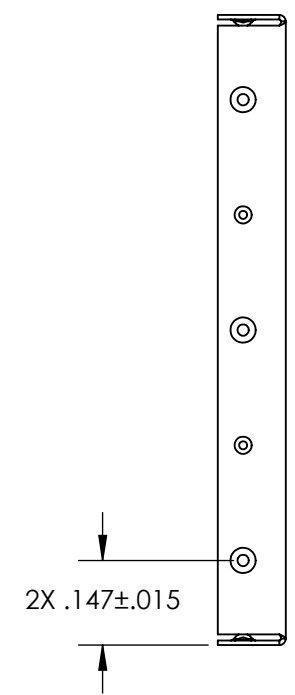
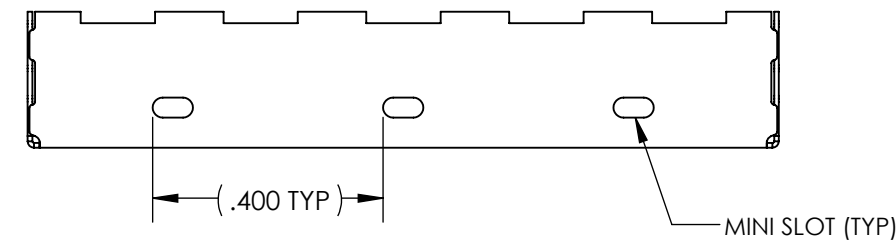
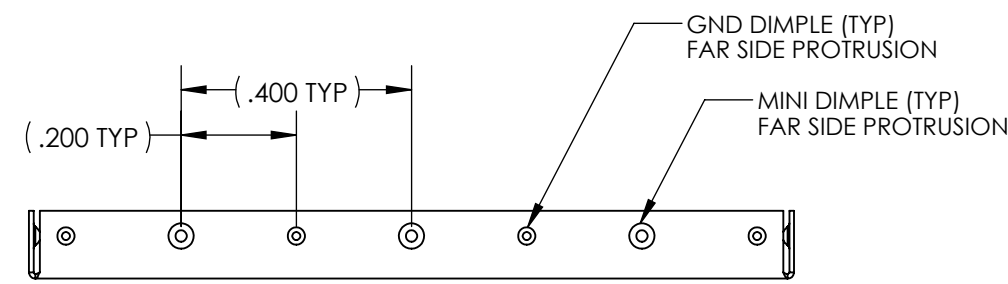
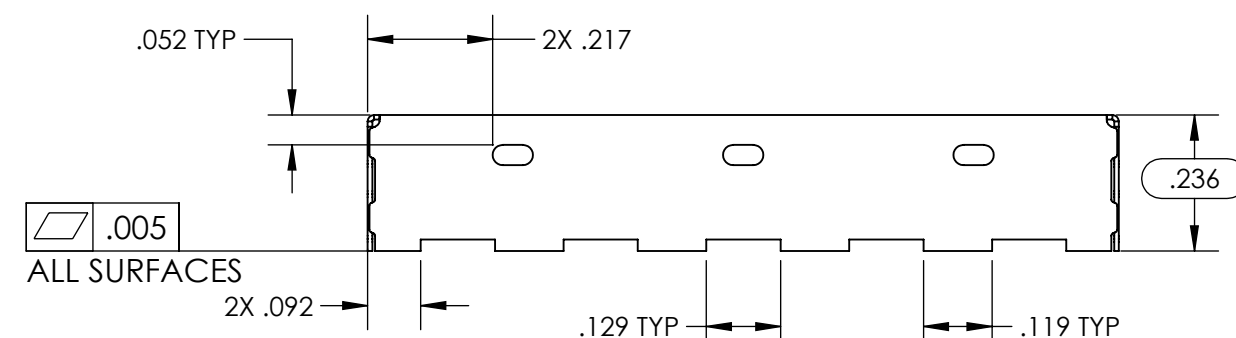


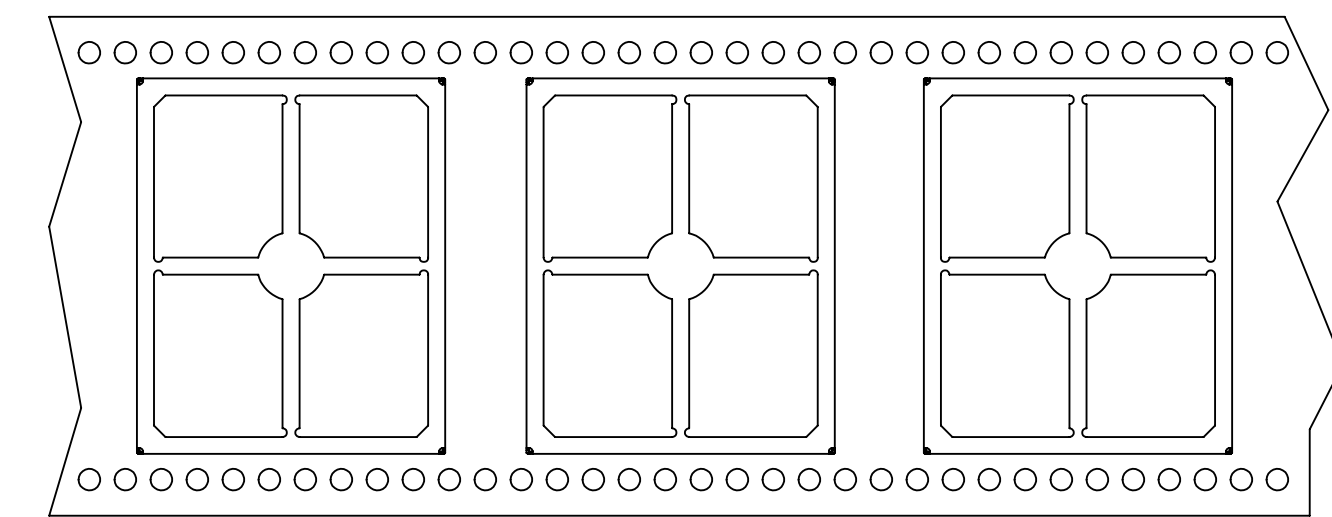
NOTES:
1. ASSURE ASSEMBLY CAPABILITY BY MATCHING WITH MATING PART



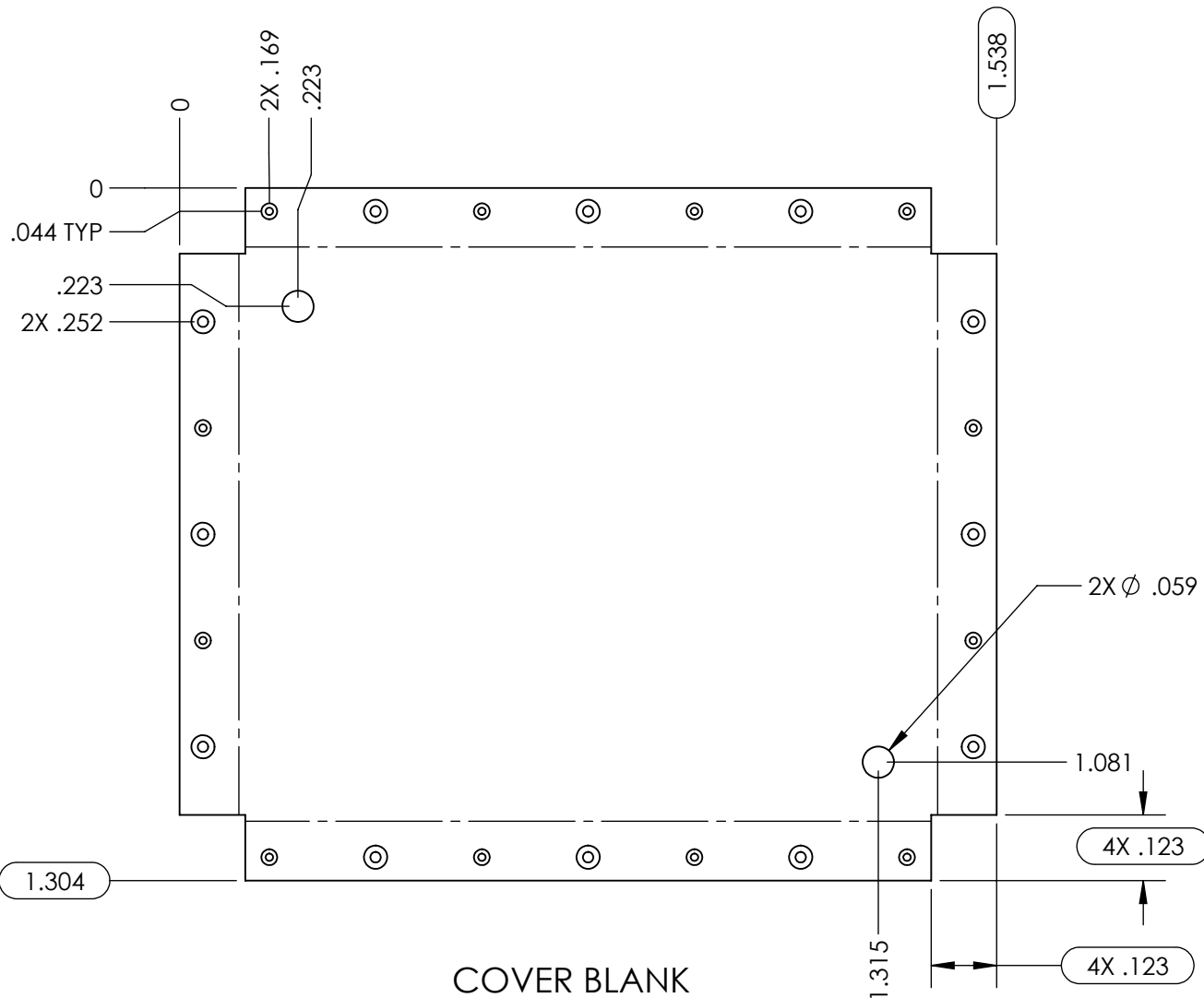
FORMED COVER



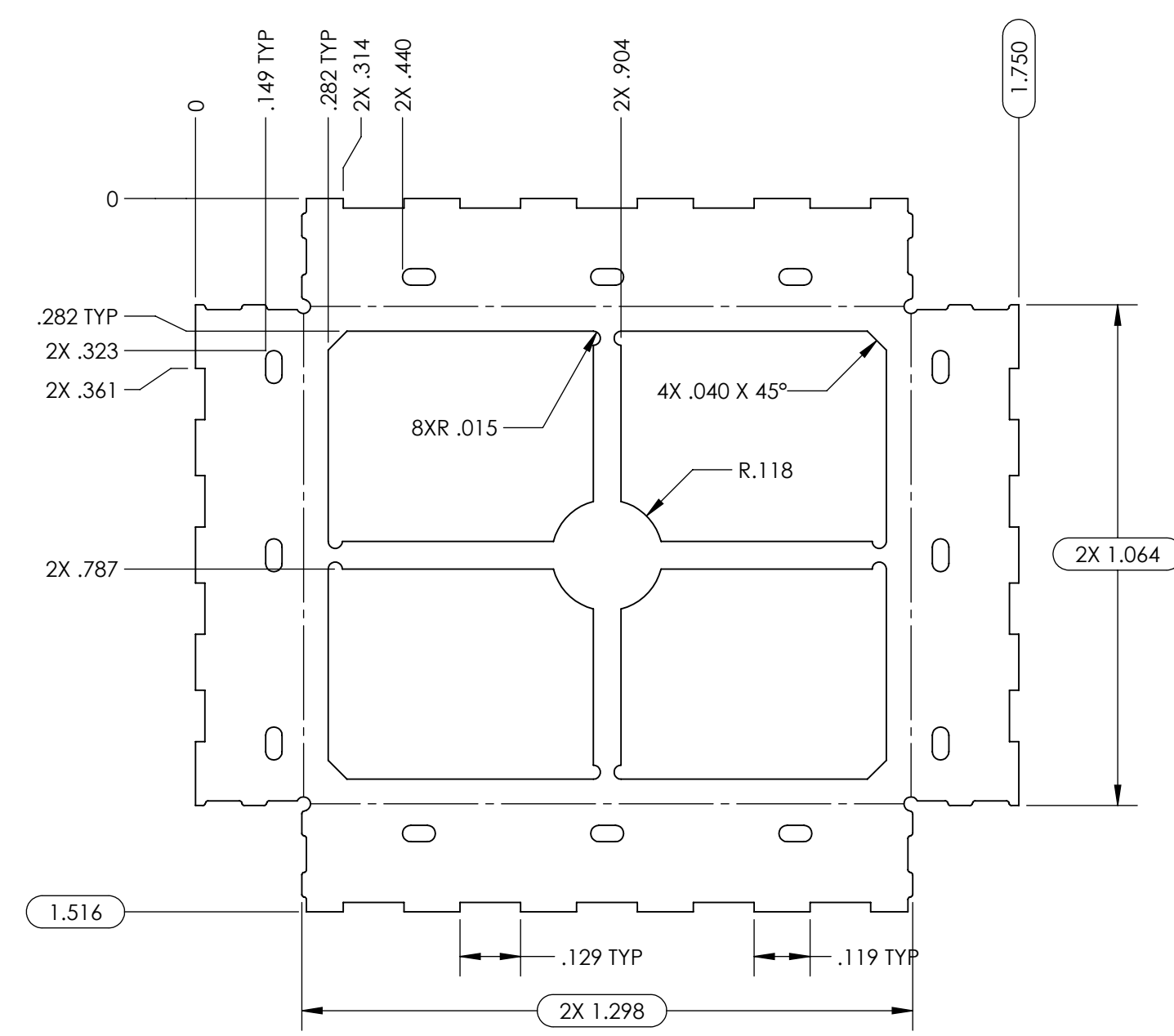
FORMED FRAME



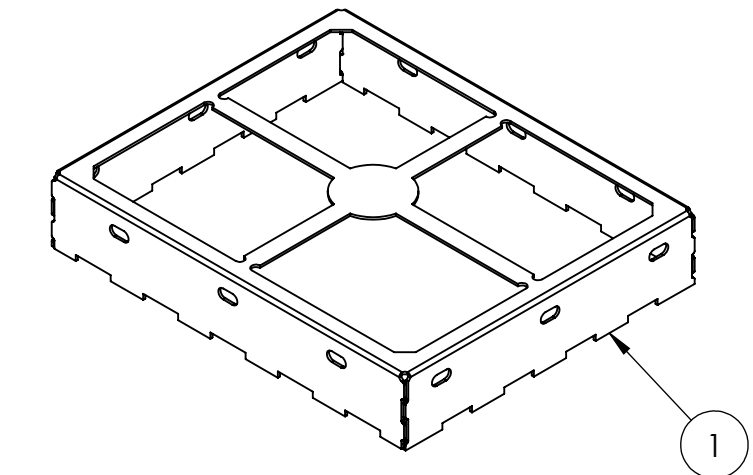
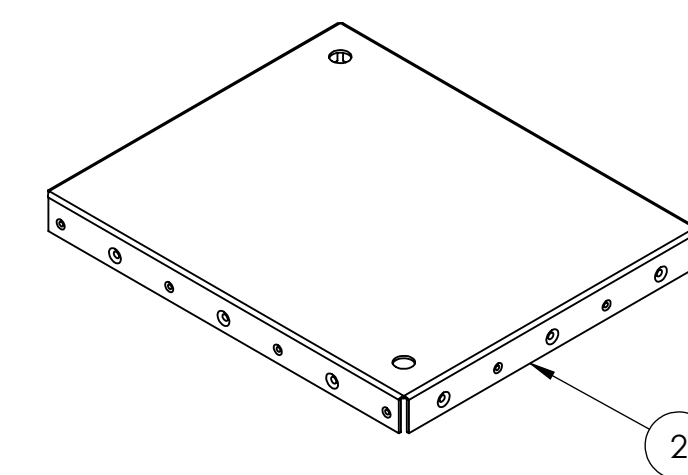
| CARRIER TAPE SPECIFICATIONS | | | | | | |
|-----------------------------|-------------|-------------------------------|----------------|--------------------|--------------------|----------------|
| PART NUMBER | DESCRIPTION | OVERALL DIMENSIONS | OVERALL HEIGHT | CARRIER TAPE WIDTH | CARRIER TAPE PITCH | PARTS PER REEL |
| SMS-457F | FRAME | 1.070 X 1.304 [27.18 X 33.12] | .236 [5.99] | 44 mm | 40 mm | 210 |
| SMS-457C | COVER | 1.094 X 1.328 [27.79 X 33.73] | .118 [3.00] | N/A | N/A | BULK PACK |



COVER BLANK

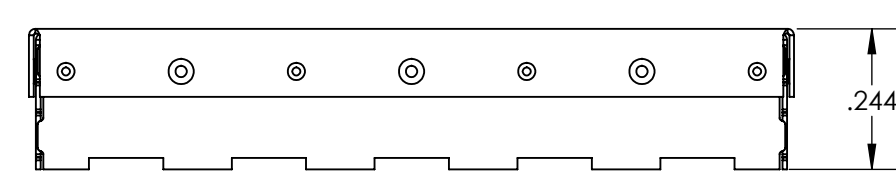


FRAME BLANK



(.008)

(.008)



ASSEMBLY

| ITEM NO. | PART NUMBER | DESCRIPTION | QTY. |
|----------|-------------|-------------|------|
| 1 | SMS-457F | FRAME | 1 |
| 2 | SMS-457C | COVER | 1 |

UNLESS OTHERWISE SPECIFIED:
- ALL DIMENSIONS ARE IN INCHES
- PART SHALL BE FREE OF BURRS AND SHARP EDGES
- ALL DIMENSIONS SHOWN APPLY AFTER PLATING AND COATINGS
- ROHS COMPLIANT PER EU DIRECTIVE 2011/65/EU
- POI = POINT OF INTERSECTION

THIRD ANGLE PROJECTION
ANGLES +/- 2°

DRAWN BY: SDH
APPROVED BY: 2015-10-29

MATERIAL: MATTE
.008" PRE TIN STEEL

SCALE: 3:1
CAGE CODE: 4J674
SHEET: 1 OF 1

LEADER TECH
a HEICO company
The Leading Edge in PAF Manufacturing Technology

TITLE: SURFACE MOUNT SHIELD

REV: A1

THIS DOCUMENT CONTAINS PROPRIETARY INFORMATION OWNED BY LEADERTECH OR DEVELOPED AT ITS OWN PRIVATE EXPENSE AND MAY NOT BE USED, DUPLICATED OR DISCLOSED IN WHOLE OR IN PART FOR ANY PURPOSE INCLUDING DESIGN, MANUFACTURE OR PROCUREMENT WITHOUT THE WRITTEN PERMISSION OF LEADERTECH. LEADERTECH DOES NOT GUARANTEE OR WARRANT THE PERFORMANCE CHARACTERISTICS.