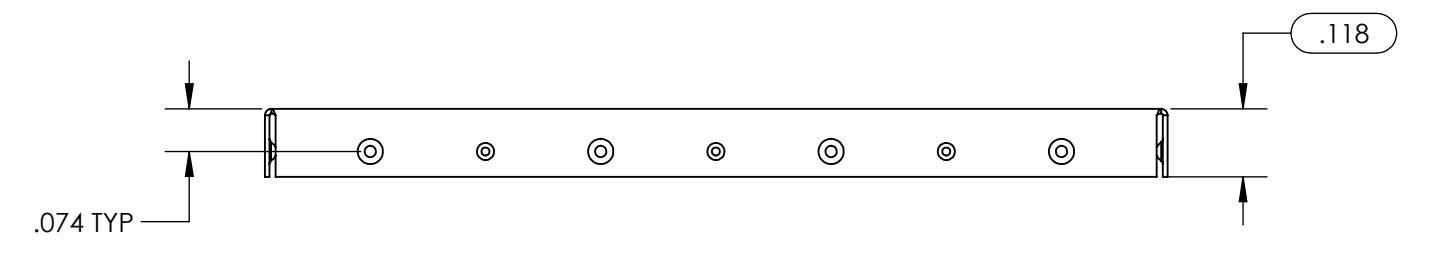
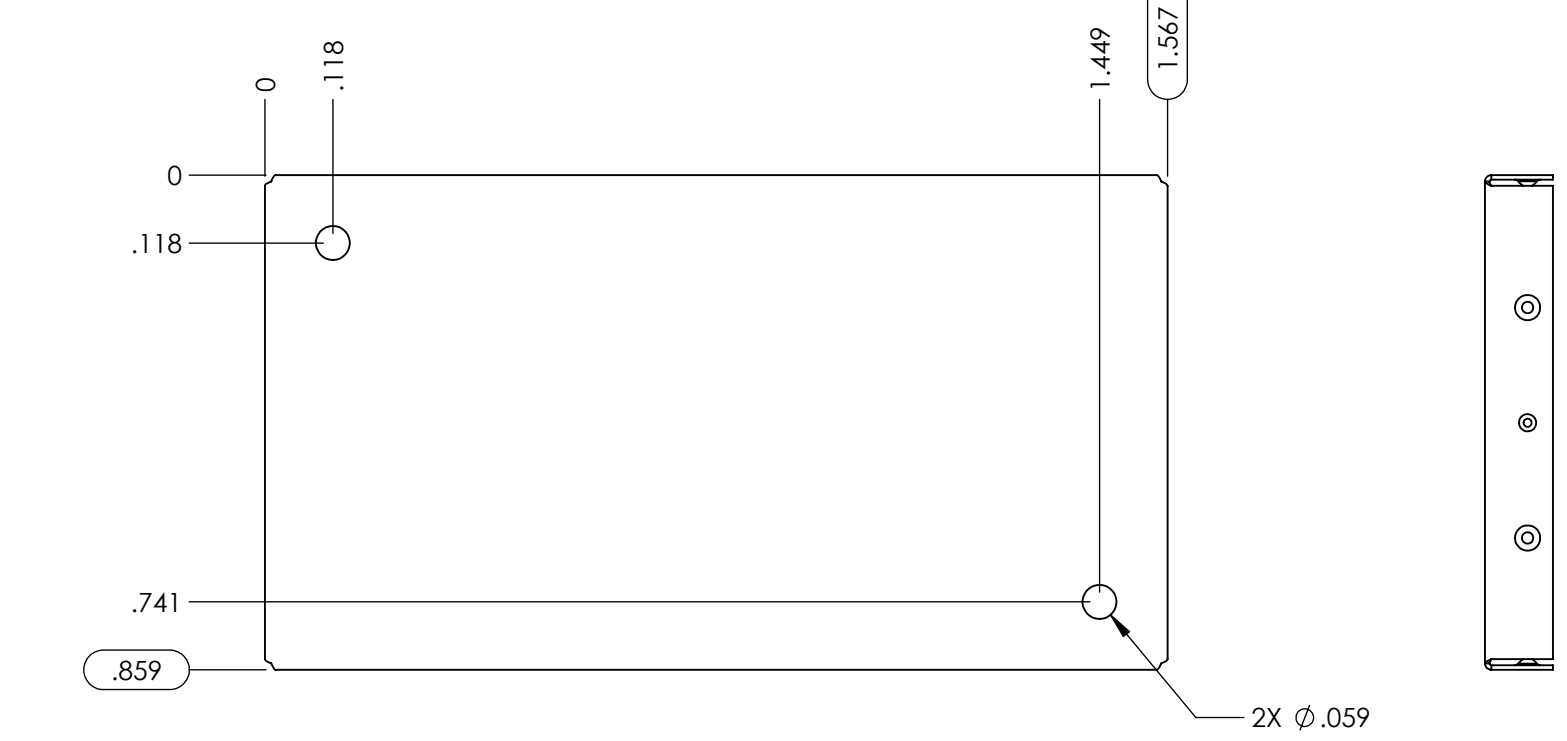
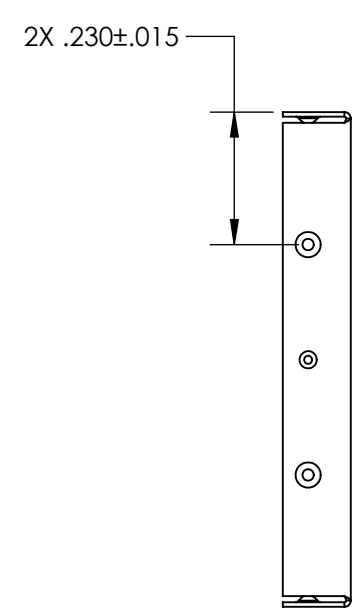
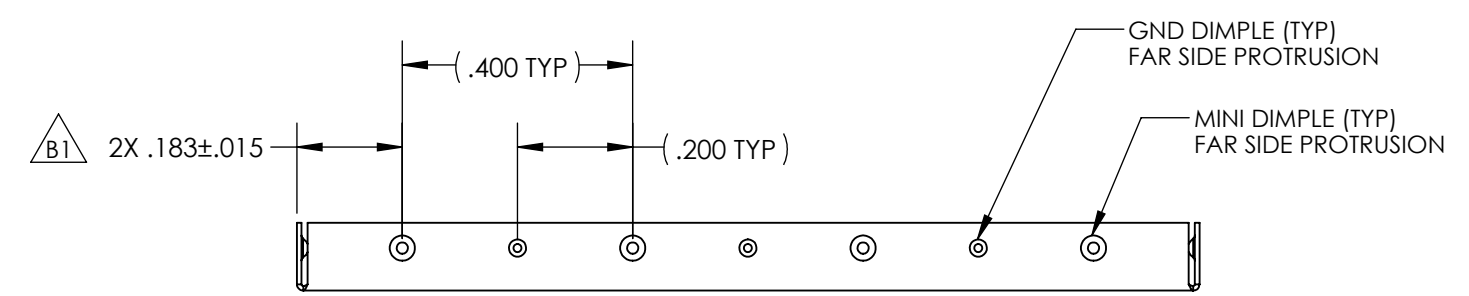
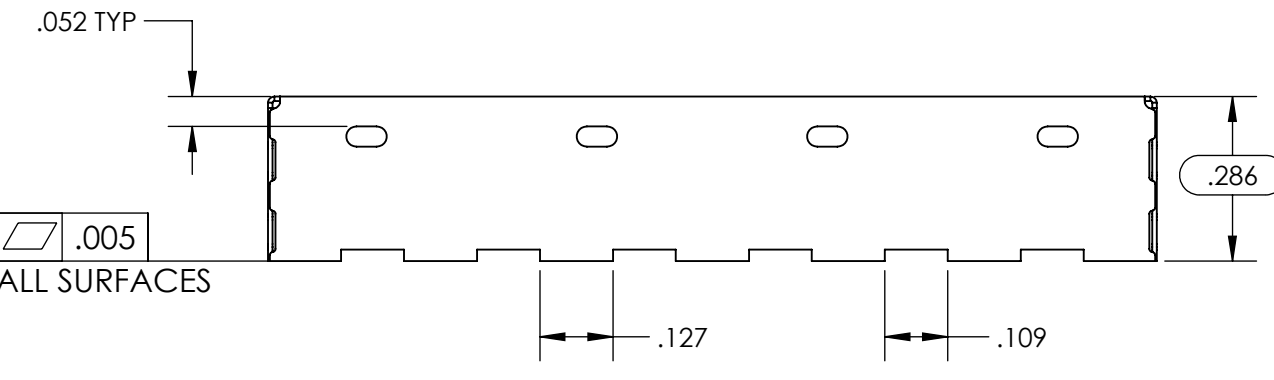
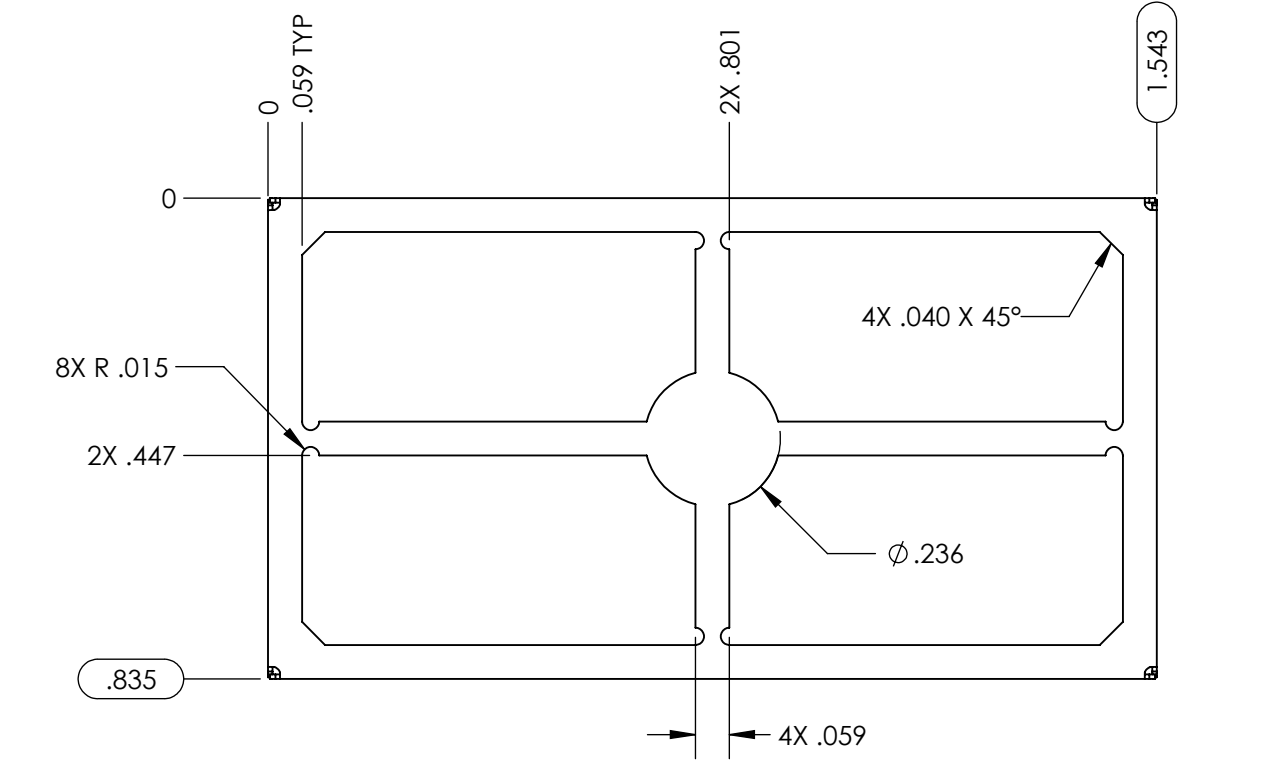
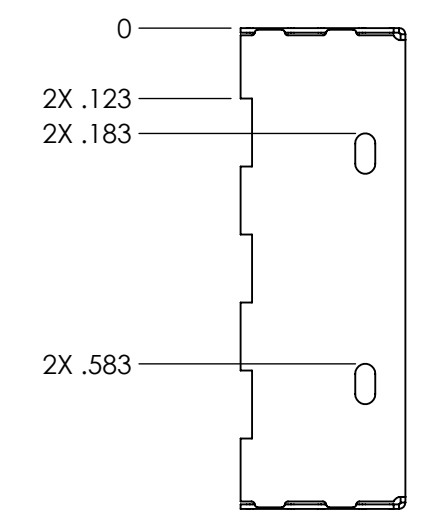


NOTES:
1. ASSURE ASSEMBLY CAPABILITY BY MATCHING WITH MATING PART

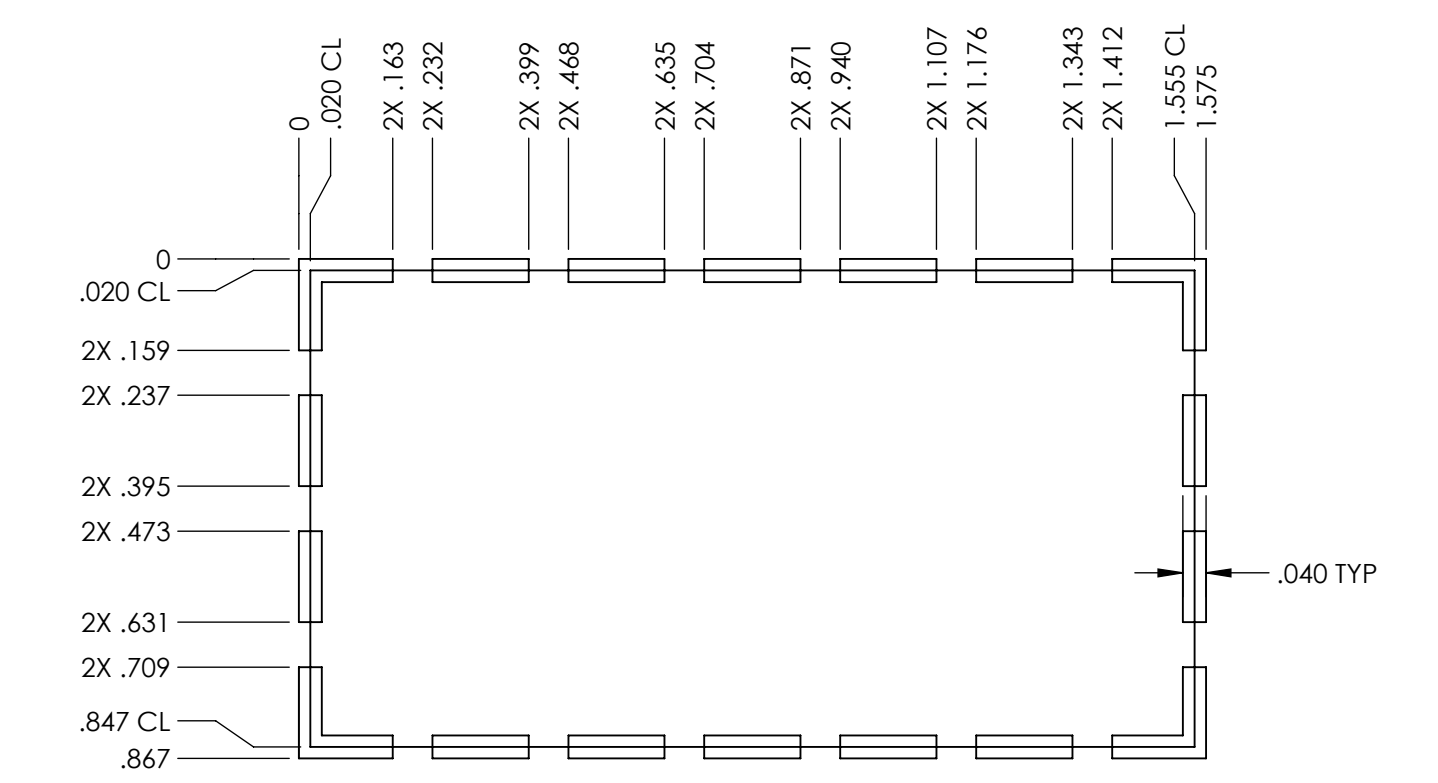
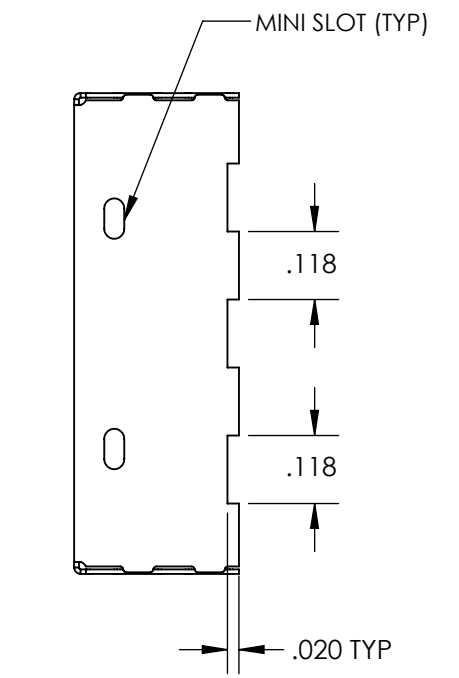
REVISIONS			
REV.	DESCRIPTION	CHANGED BY	APPROVED BY
A1	PRODUCTION RELEASE	-	-
B1	ADD TOLERANCE TO MISSING DIMPLE LOCATION FOR COVER'S LONG SIDE FOR CUSTOMER'S PRINT	LB2 2020-03-13	



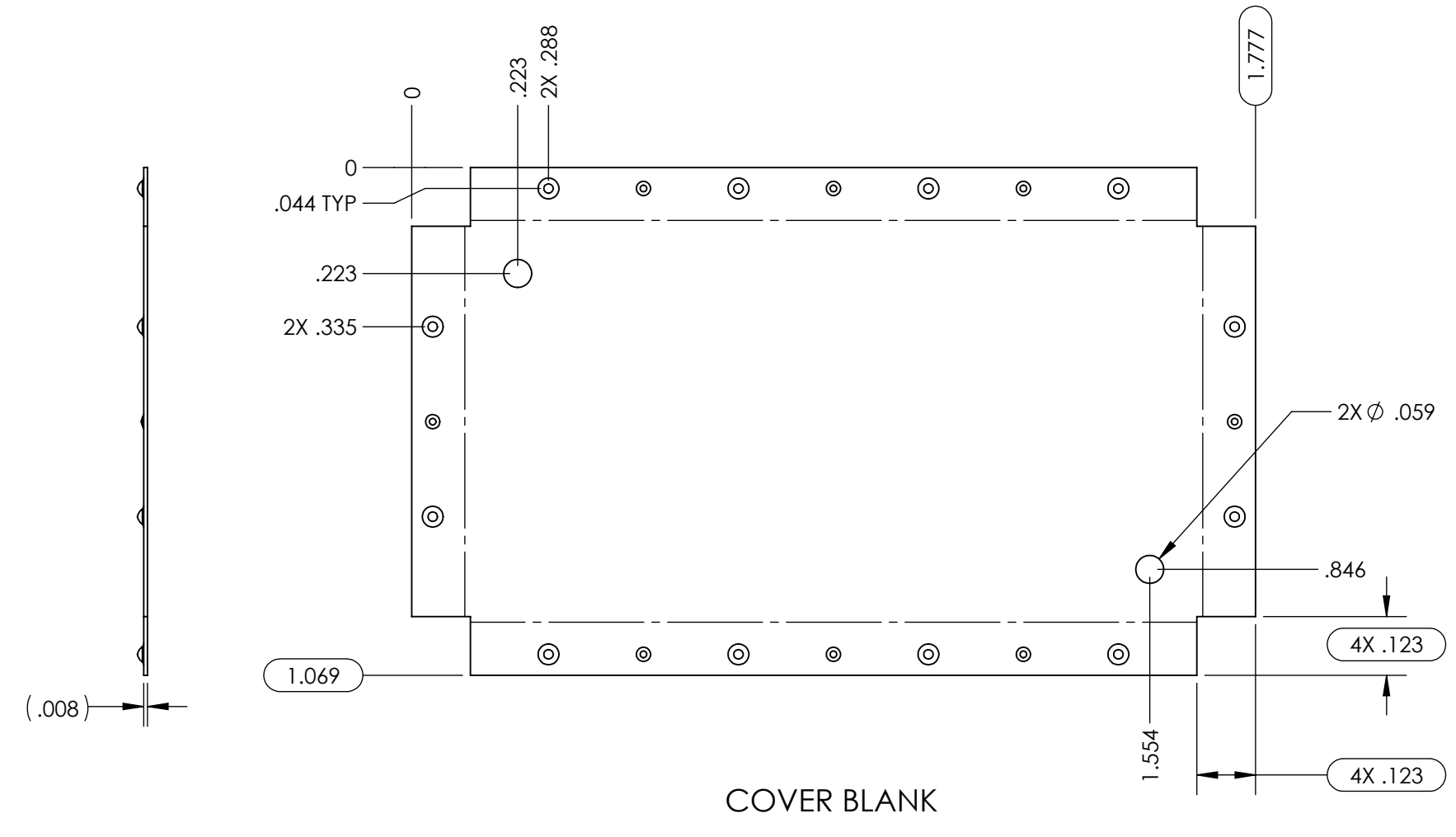
FORMED COVER



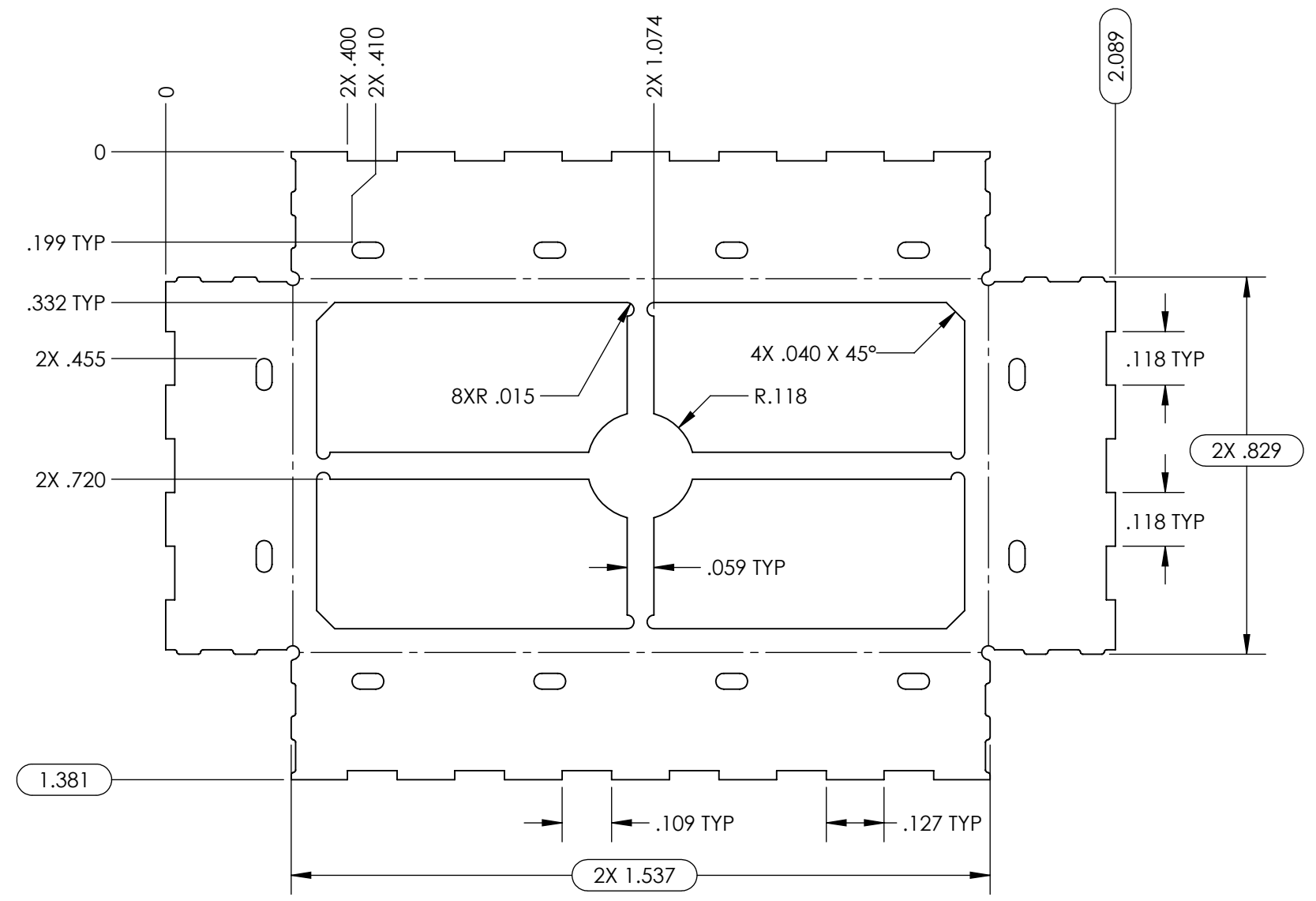
FORMED FRAME



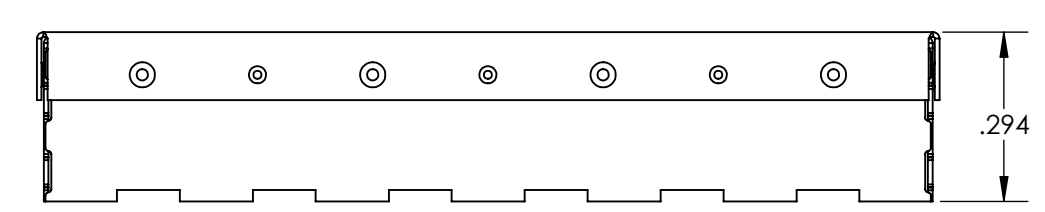
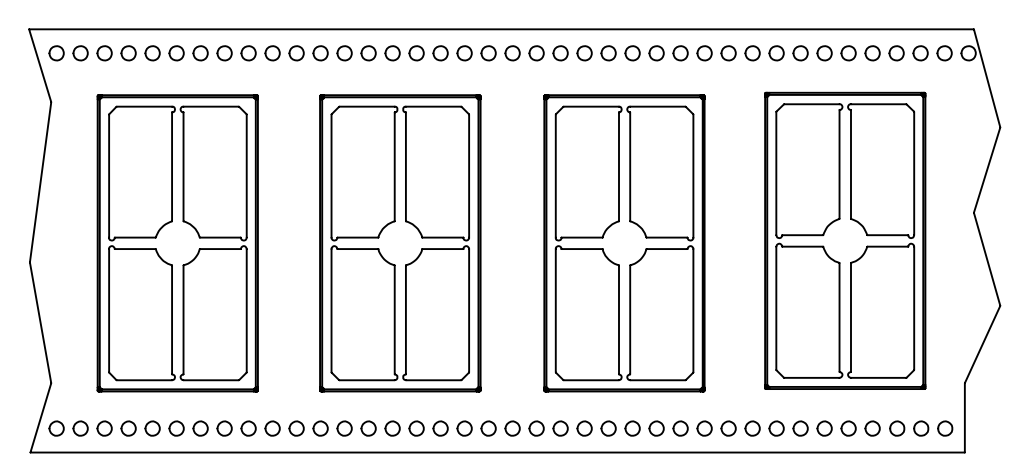
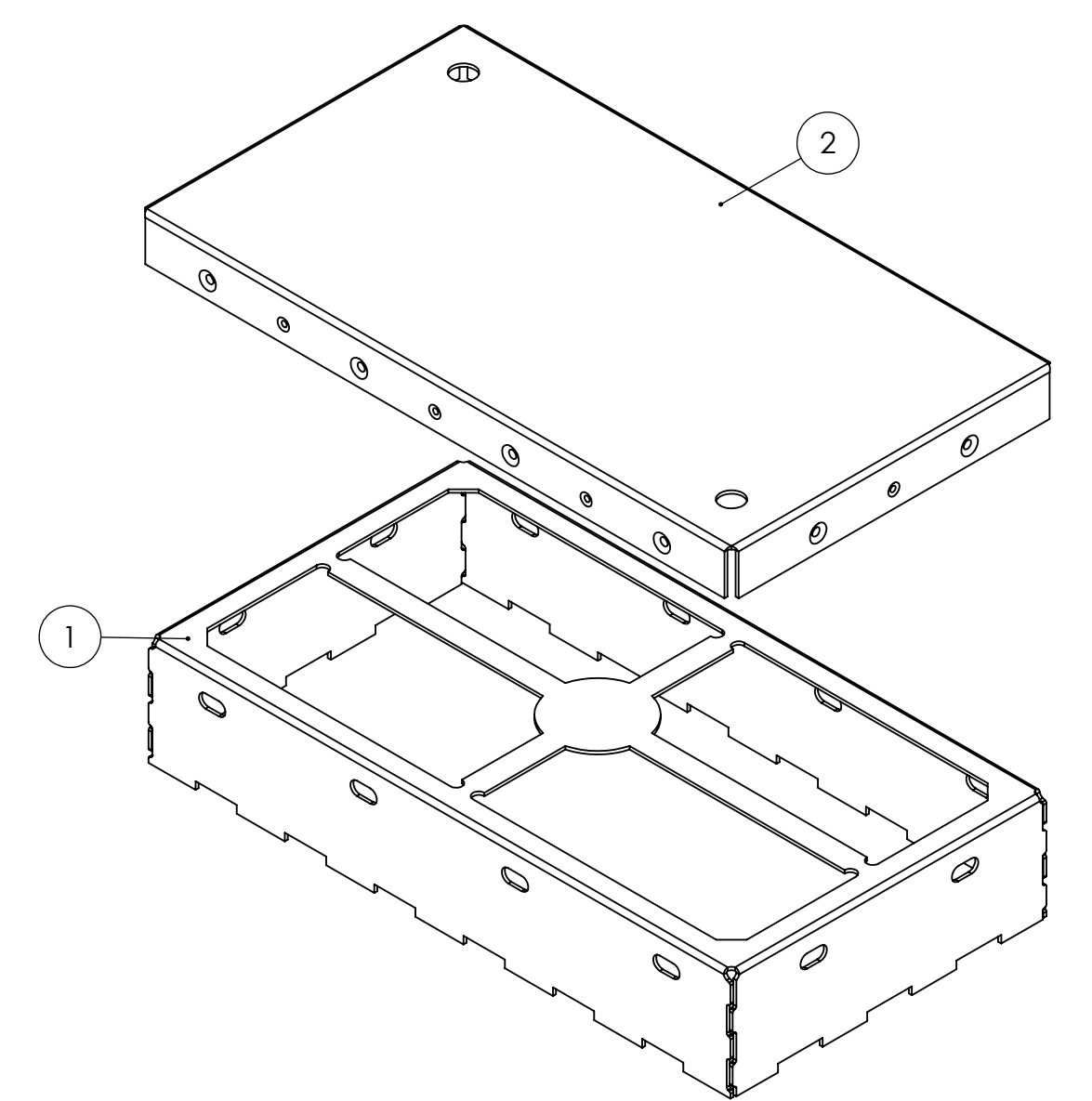
TRACE PATTERN



COVER BLANK



FRAME BLANK



ASSEMBLY

CARRIER TAPE SPECIFICATIONS						
PART NUMBER	DESCRIPTION	OVERALL DIMENSIONS	OVERALL HEIGHT	CARRIER TAPE WIDTH	CARRIER TAPE PITCH	PARTS PER REEL
SMS-456F	FRAME	0.835 X 1.543 [21.21 X 39.19]	.286 [7.26]	56 mm	28 mm	280
SMS-456C	COVER	0.859 X 1.567 [21.82 X 39.80]	.118 [3.00]	N/A	N/A	BULK PACK

THIS DOCUMENT CONTAINS PROPRIETARY INFORMATION OWNED BY LEADERTECH OR DEVELOPED AT ITS OWN PRIVATE EXPENSE AND MAY NOT BE USED, DUPLICATED OR DISCLOSED IN WHOLE OR IN PART FOR ANY PURPOSE INCLUDING DESIGN, MANUFACTURE OR PROCUREMENT WITHOUT THE WRITTEN PERMISSION OF LEADERTECH. LEADERTECH DOES NOT GUARANTEE OR WARRANT THE PERFORMANCE CHARACTERISTICS.

ITEM NO.	PART NUMBER	DESCRIPTION	QTY.
1	SMS-456F	FRAME	1
2	SMS-456C	COVER	1

UNLESS OTHERWISE SPECIFIED:
- ALL DIMENSIONS ARE IN INCHES
- PART SHALL BE FREE OF BURRS AND SHARP EDGES
- ALL DIMENSIONS SHOWN APPLY AFTER PLATING AND COATINGS
- ROHS COMPLIANT PER EU DIRECTIVE 2011/65/EU
- POI = POINT OF INTERSECTION

THIRD ANGLE PROJECTION

LEADER TECH
a HEICO company
The Leading Edge in PAM Manufacturing Technology

TITLE: SURFACE MOUNT SHIELD

DRAWN BY: SDH
APPROVED BY: RS 2016-02-29

SCALE: 3:1
CAGE CODE: 4J674
SHEET: 1 OF 1