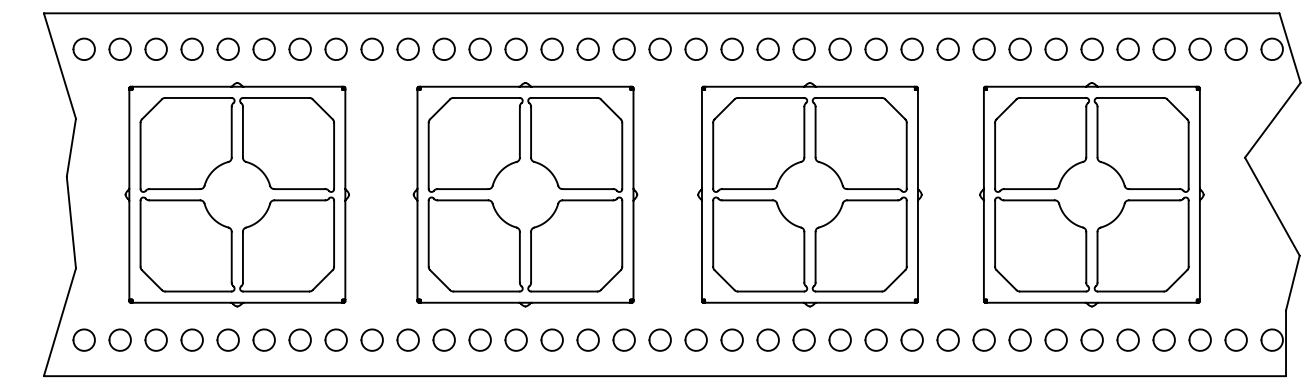
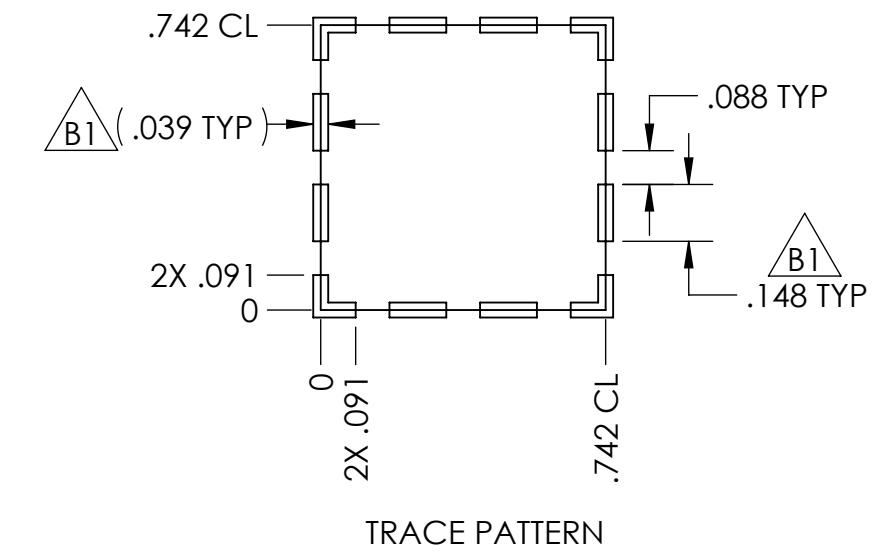
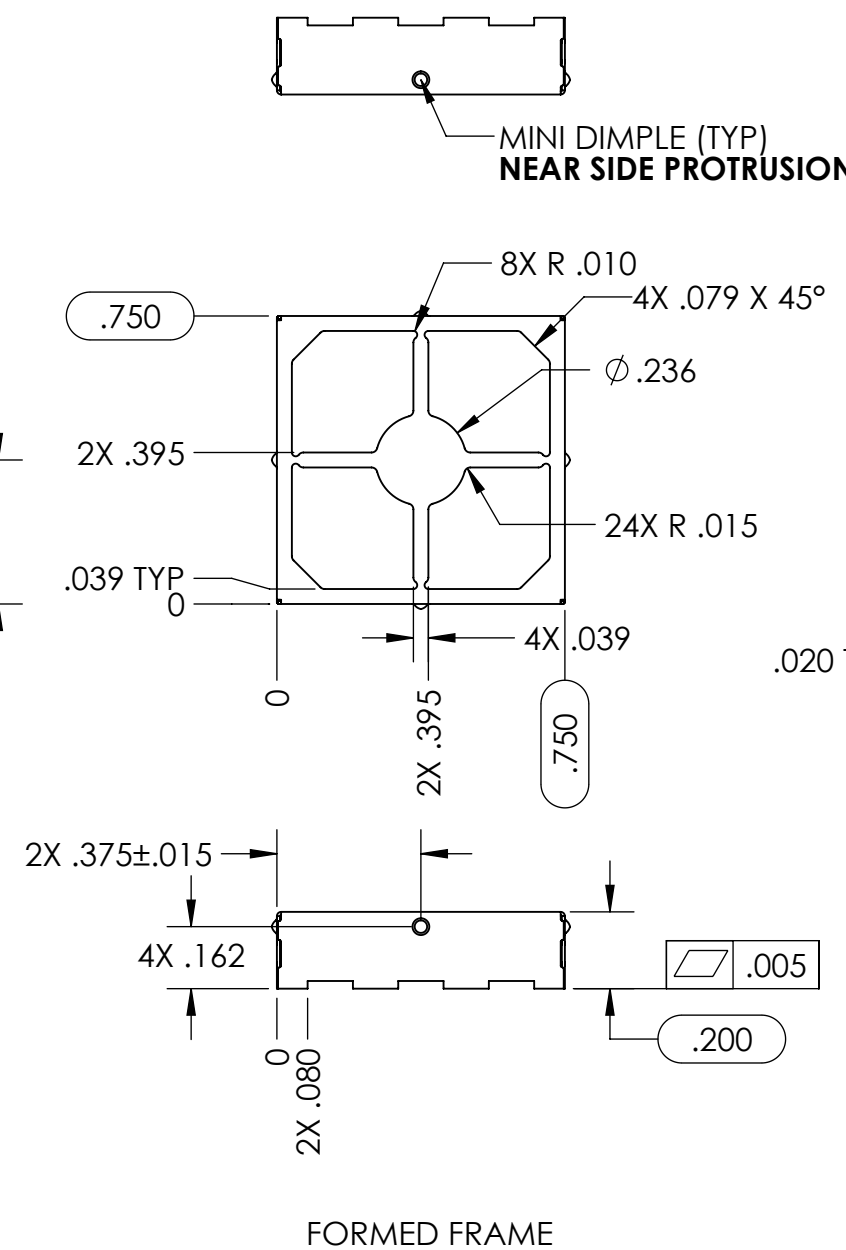
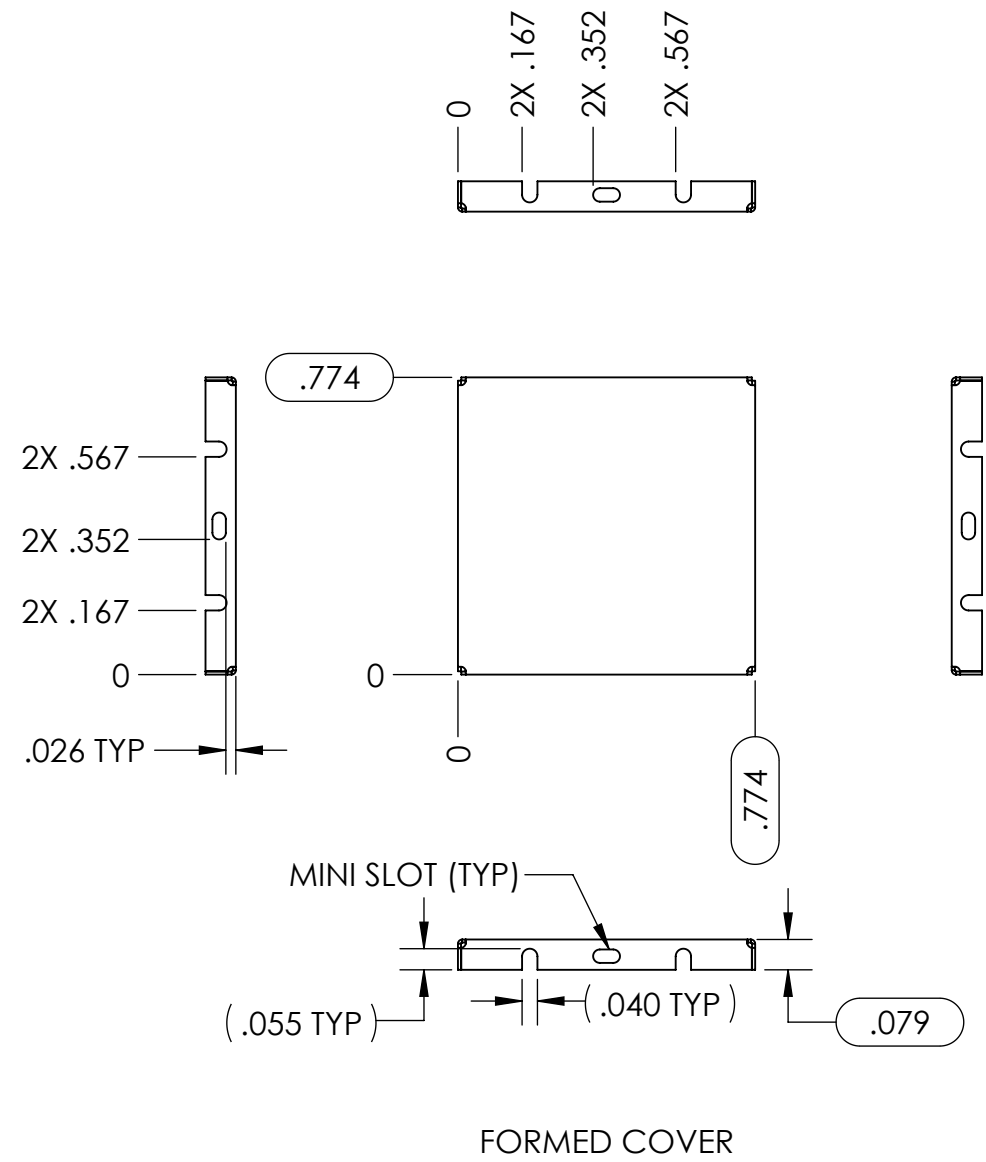


NOTES:

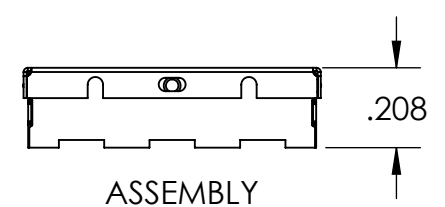
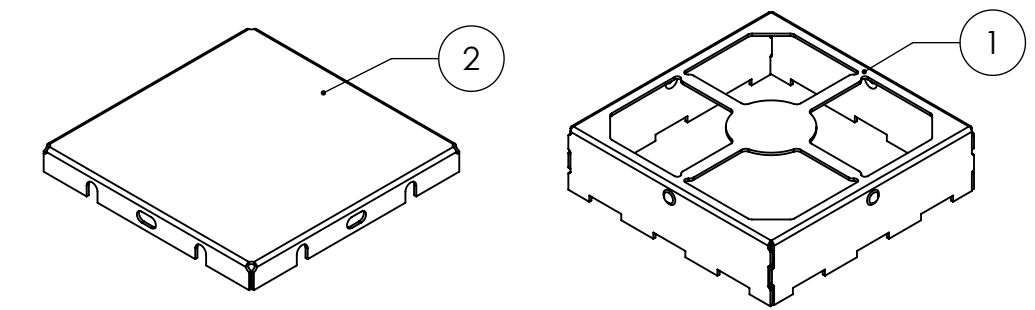
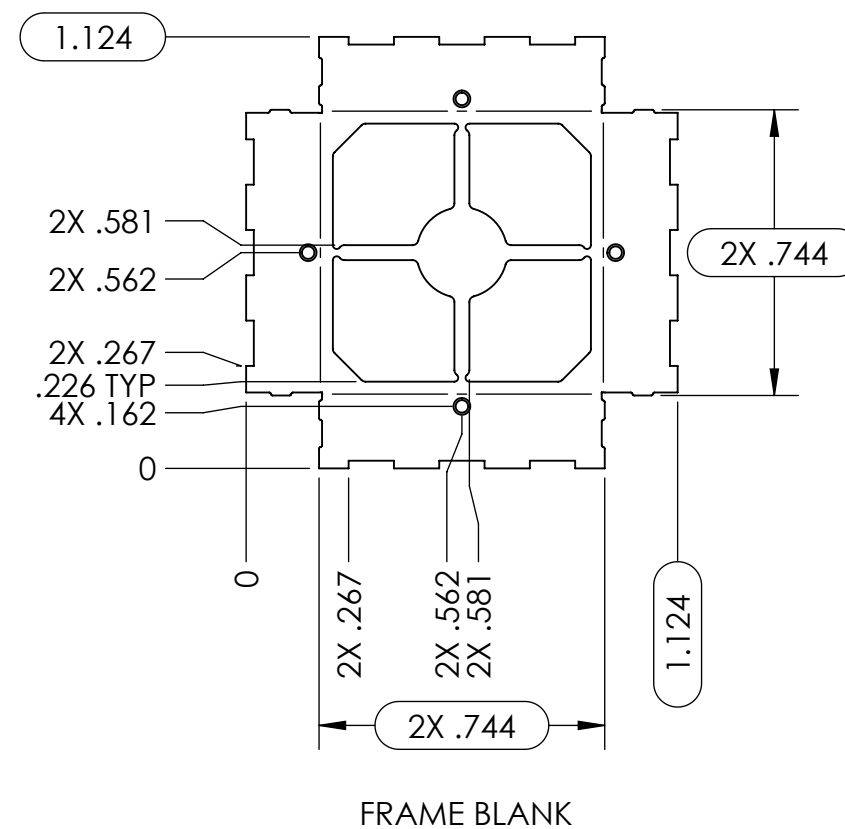
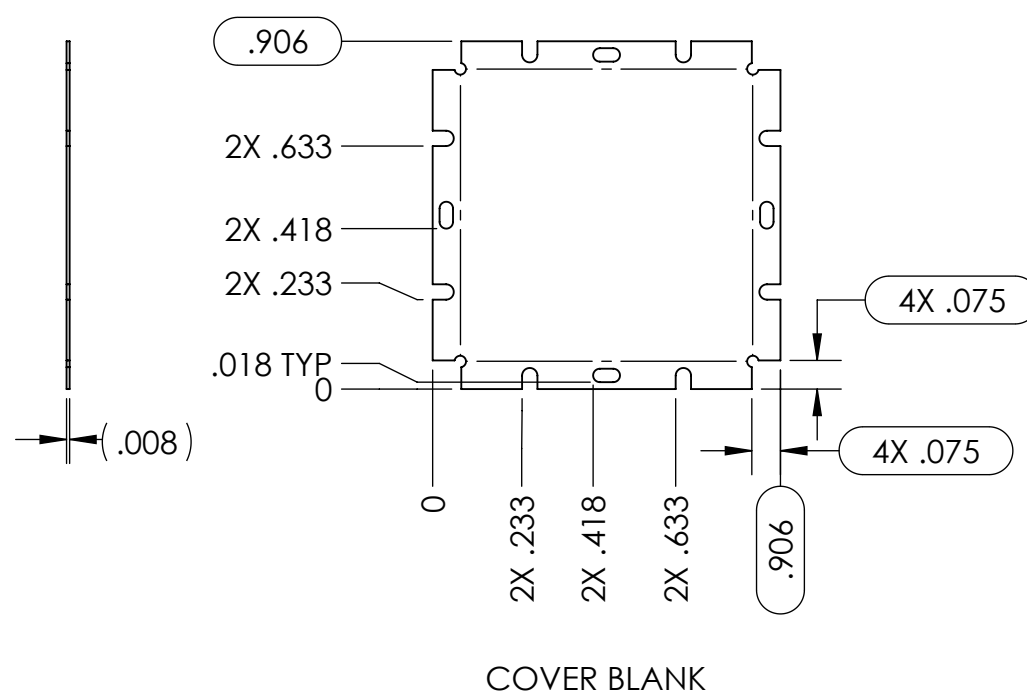
1. ASSURE ASSEMBLY CAPABILITY BY MATCHING WITH MATING PART
2. PACKAGING: TAPE AND REEL FOR THE FRAMES

REVISIONS			
REV.	DESCRIPTION	CHANGED BY	APPROVED BY
A1	PRODUCTION RELEASE	-	-
B1	TRACE PATTERN, TRACE LENGTH AND WIDTH MODIFIED	JG 2018-02-28	



CARRIER TAPE SPECIFICATIONS

PART NUMBER	DESCRIPTION	OVERALL DIMENSION	OVERALL HEIGHT	CARRIER TAPE WIDTH	CARRIER TAPE PITCH	PARTS PER REEL
SMS-455-N-F	FRAME	.750 X .750 (19.05 X 19.05)	.200 (5.08)	32 mm	28 mm	300
SMS-455-N-C	COVER	.744 X .744 (18.90 X 18.90)	.079 (2.00)	N/A	N/A	BULK PACK



ITEM	PART NUMBER	DESCRIPTION	QTY.
1	SMS-455-N-F	FRAME	1
2	SMS-455-N-C	COVER	1

UNLESS OTHERWISE SPECIFIED:
 - ALL DIMENSIONS ARE IN INCHES
 - PART SHALL BE FREE OF BURRS AND SHARP EDGES
 - ALL DIMENSIONS SHOWN APPLY AFTER PLATING AND COATINGS
 - ROHS COMPLIANT PER EU DIRECTIVE 2011/65/EU
 - POI = POINT OF INTERSECTION

THIRD ANGLE PROJECTION

ANGLES +/- 2°

DRAWN BY: JG 2016-09-21 APPROVED BY: ND 2016-09-21

FINISH: N/A

MATERIAL: .008" C77000 H02 (ALLOY 770)

LEADER TECH
 a HEICO company
 The Leading Edge in EMI Shielding Technology

TITLE: SMS SHIELD ASSEMBLY

SCALE: 2:1 DWG. NO.: CAGE CODE: 4J674 SHEET: 1 OF 1

REV: B1

THIS DOCUMENT CONTAINS PROPRIETARY INFORMATION OWNED BY LEADERTECH, OR DEVELOPED AT ITS OWN PRIVATE EXPENSE, AND MAY NOT BE USED, DUPLICATED OR DISCLOSED IN WHOLE OR IN PART FOR ANY PURPOSE INCLUDING DESIGN, MANUFACTURE OR PROCUREMENT WITHOUT THE WRITTEN PERMISSION OF LEADERTECH. LEADERTECH DOES NOT GUARANTEE OR WARRANTY THE PERFORMANCE CHARACTERISTICS.