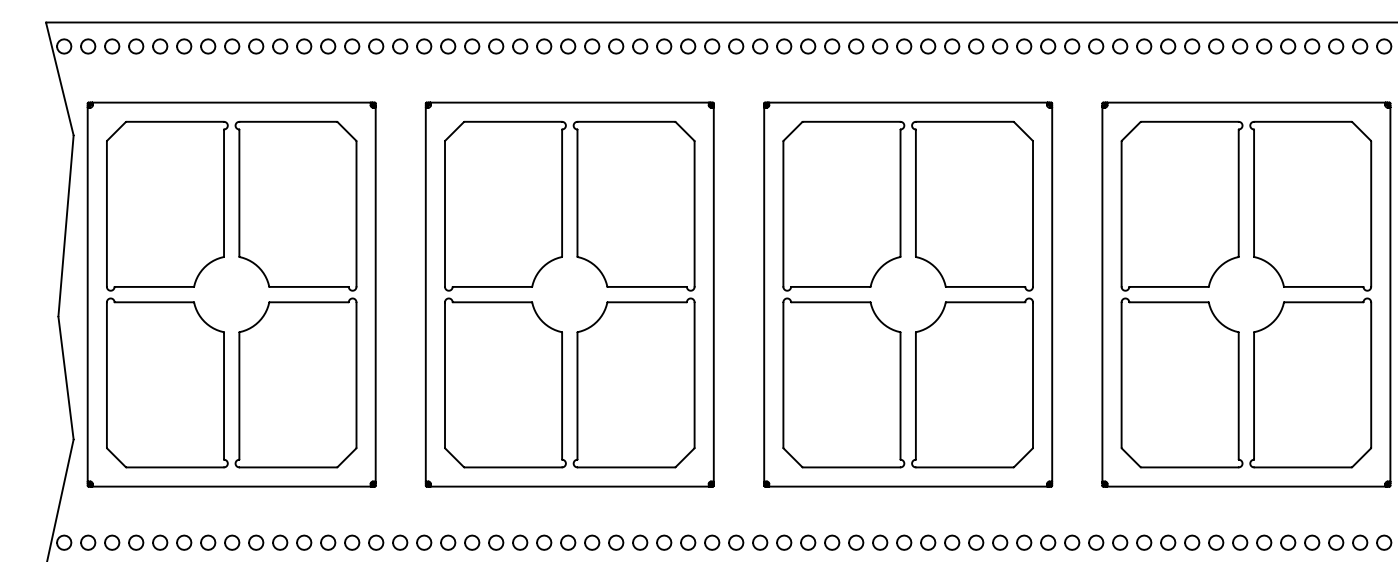
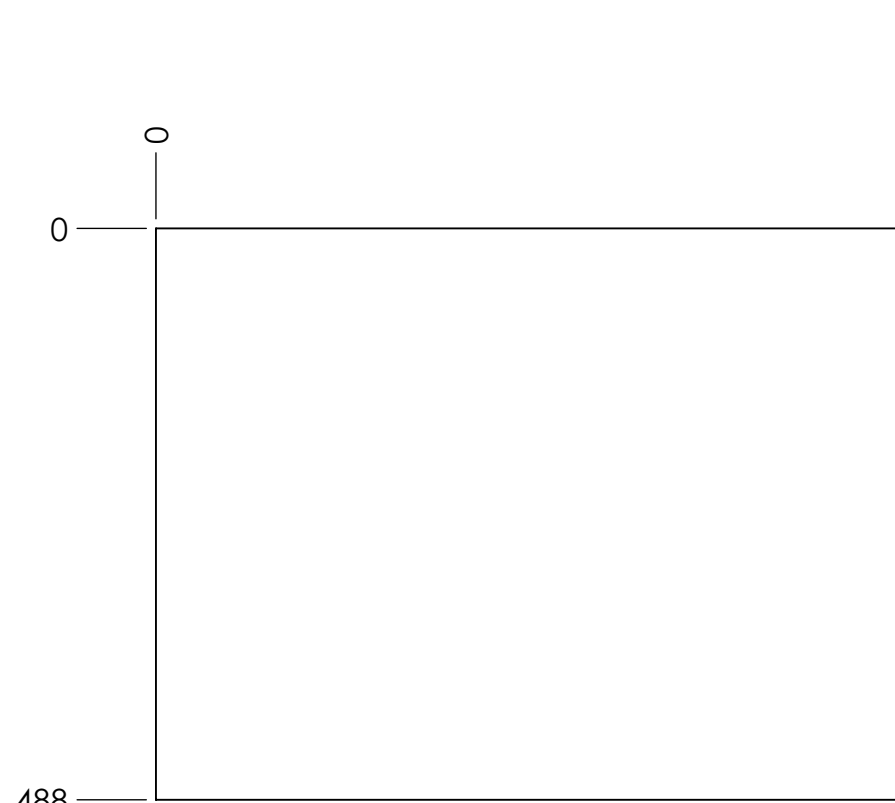
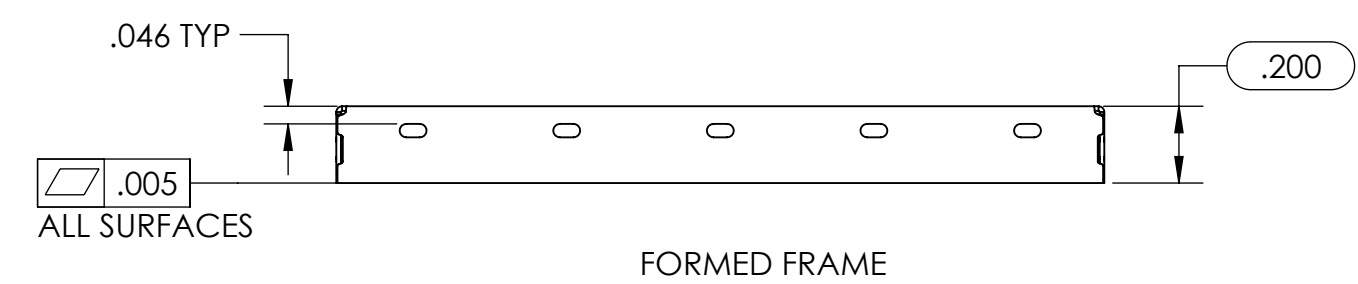
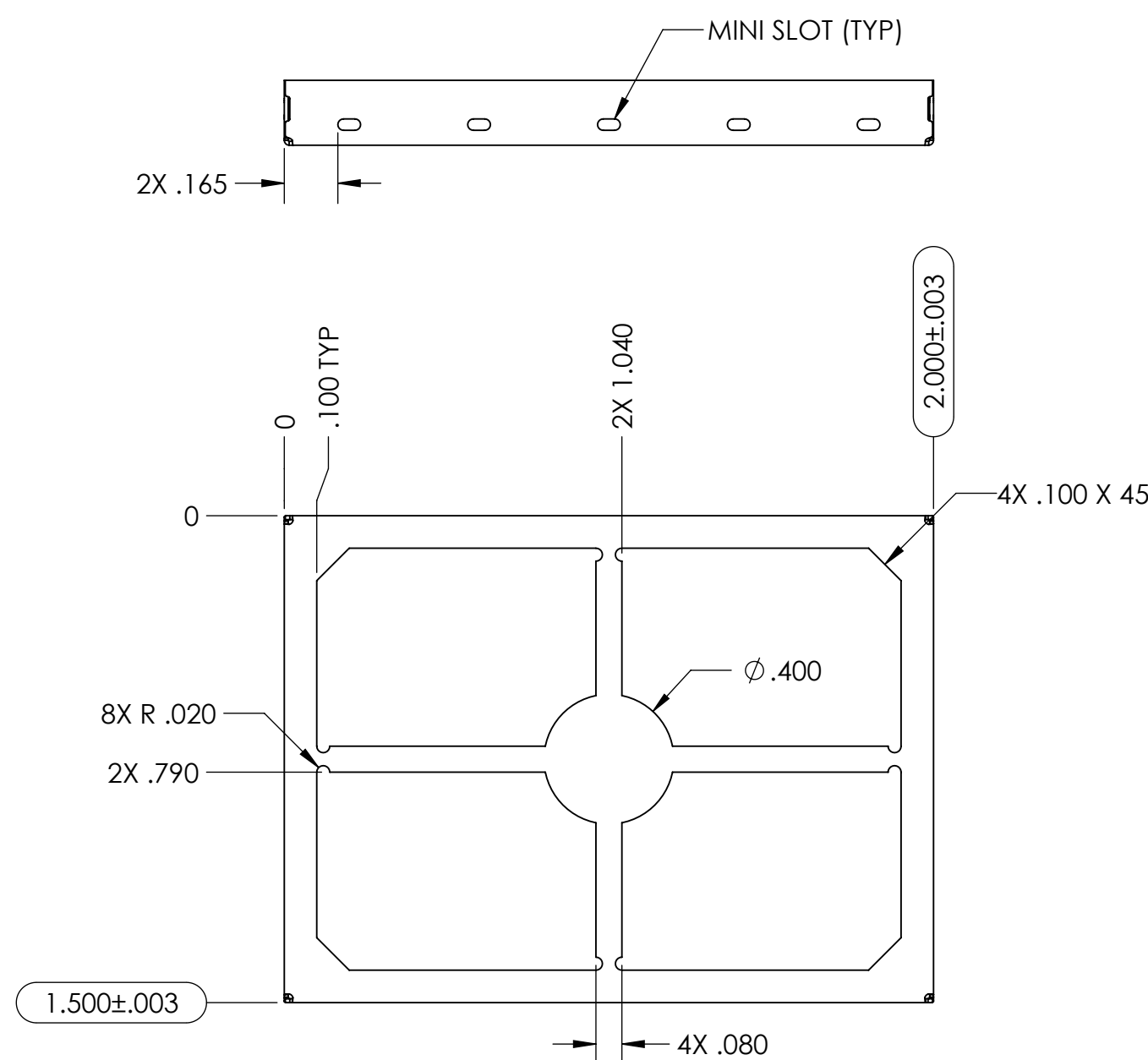
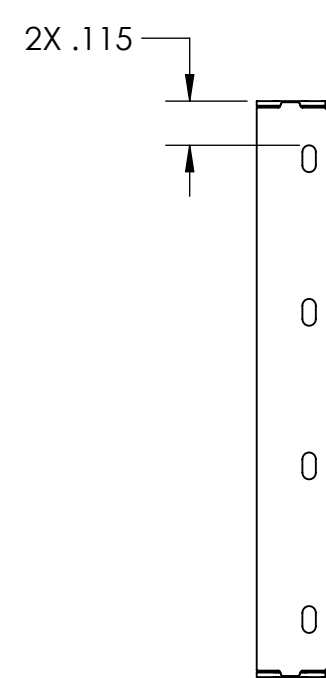
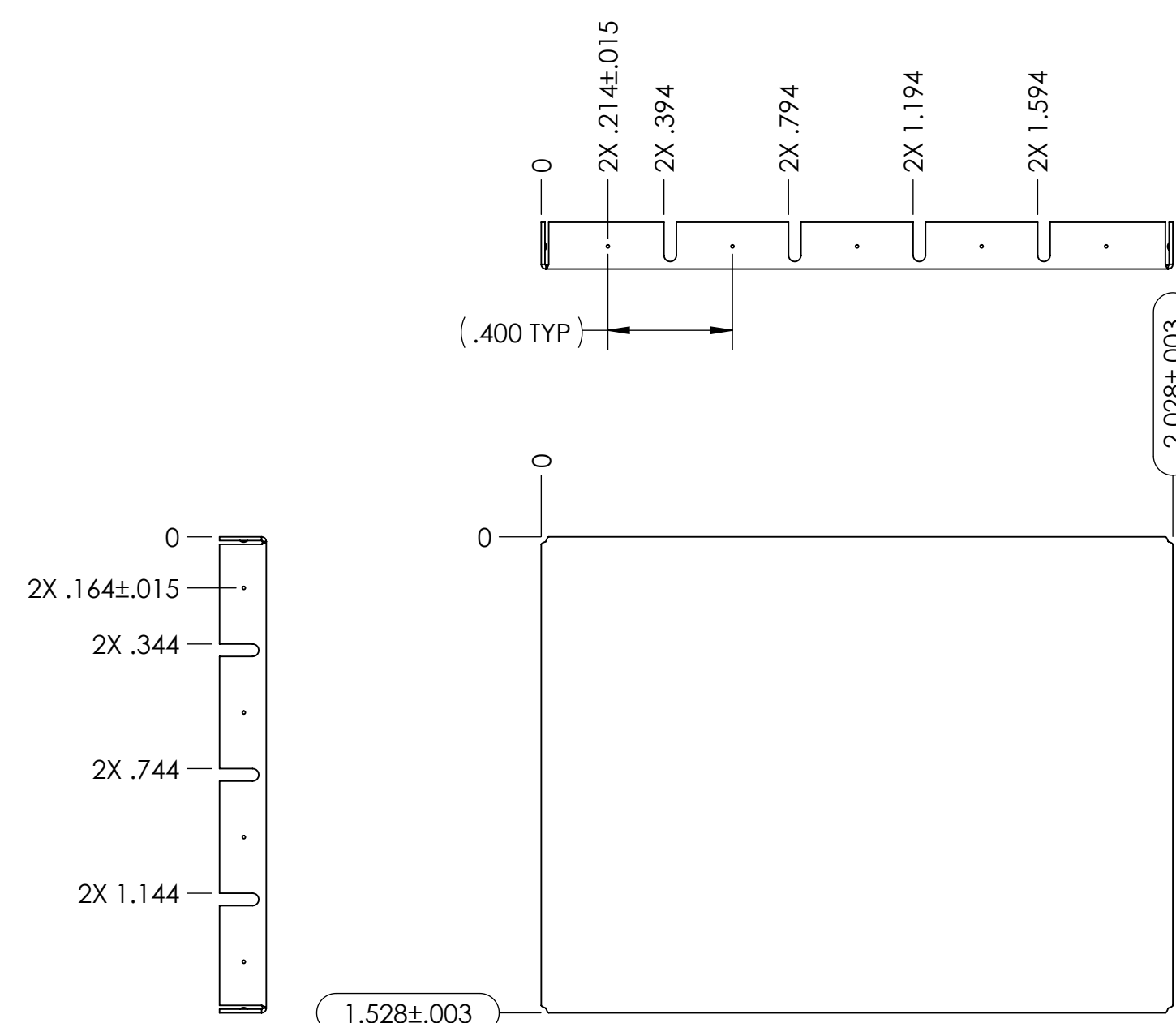


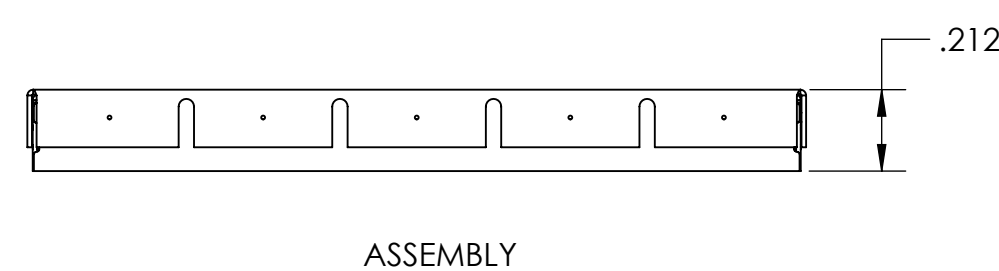
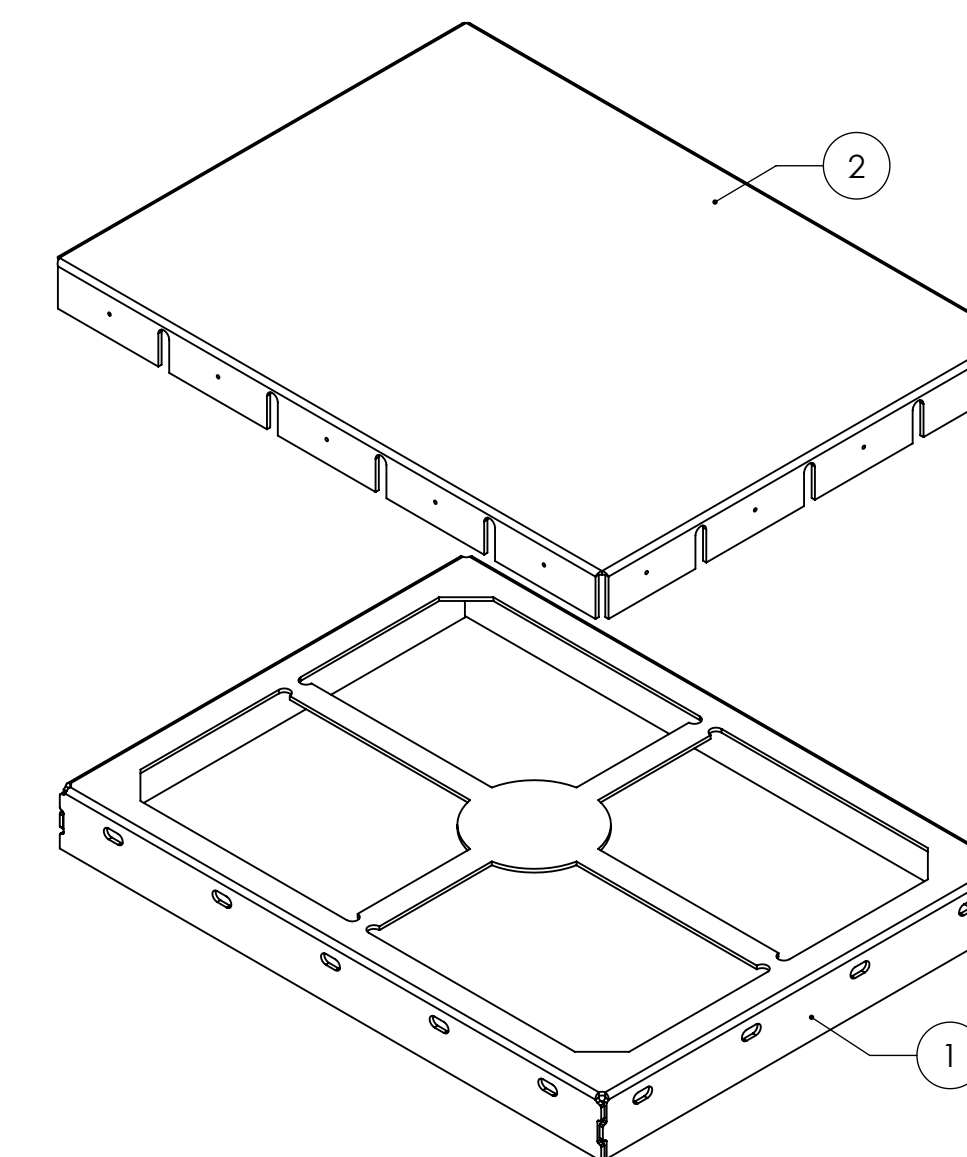
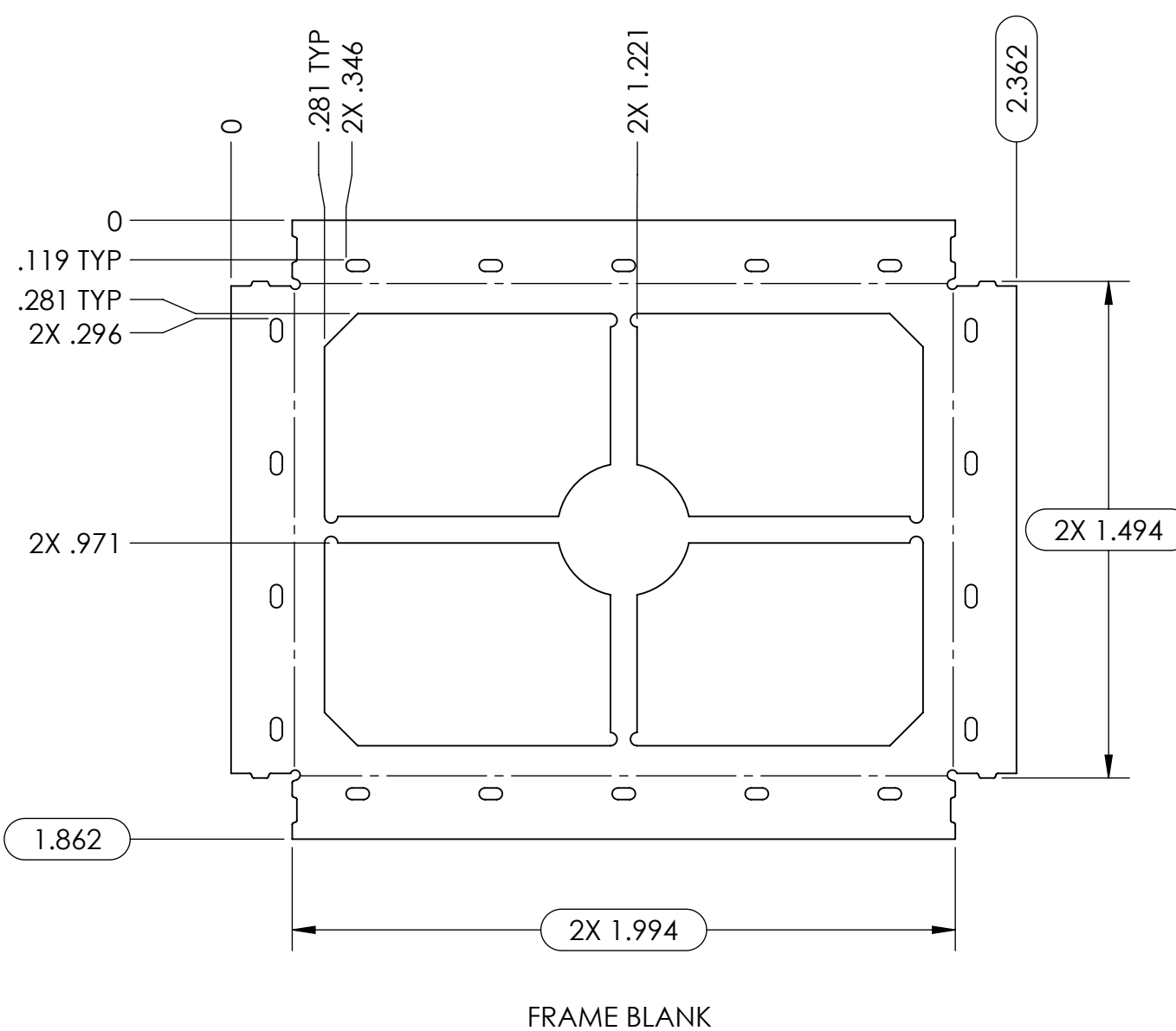
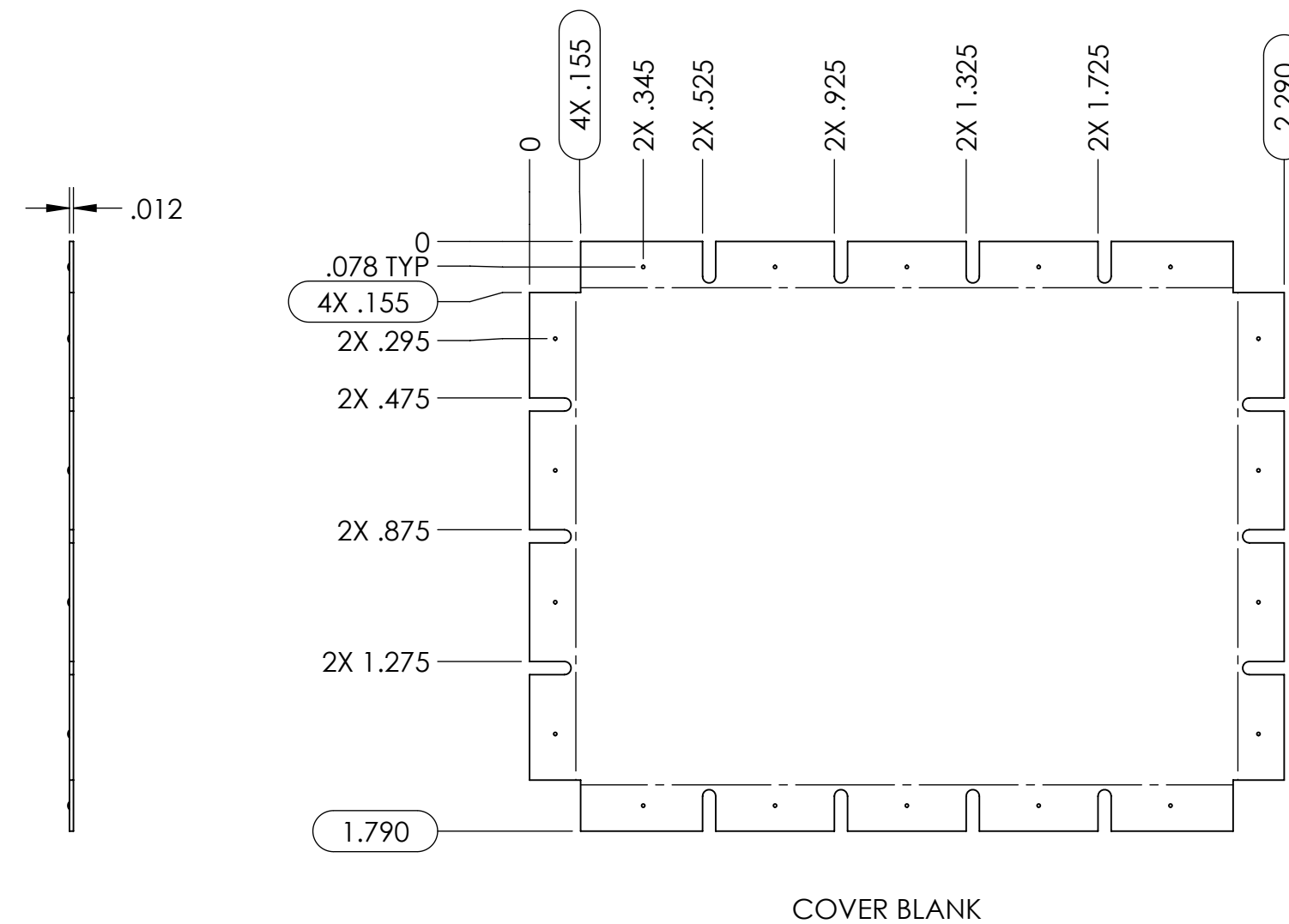
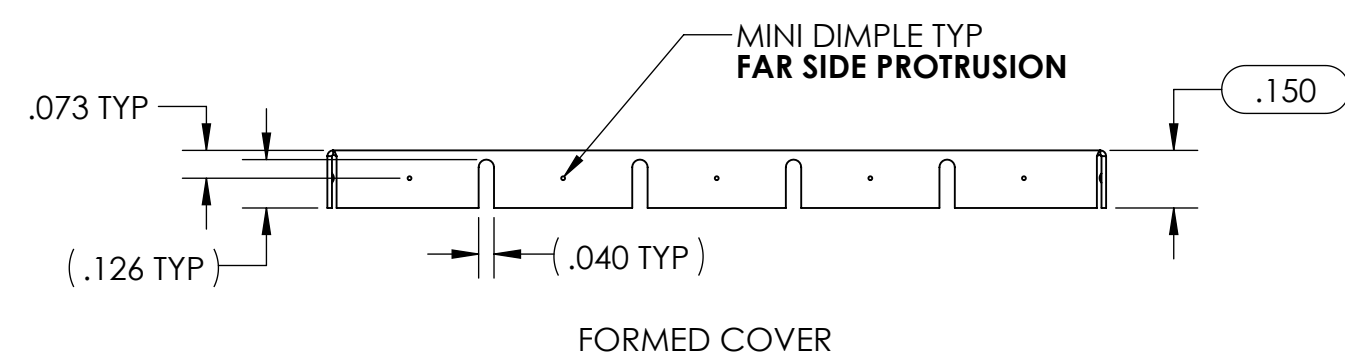
NOTES:

1. ASSURE ASSEMBLY CAPABILITY BY MATCHING WITH MATING PART

REVISIONS			
REV.	DESCRIPTION	CHANGED BY	APPROVED BY
B1	250 PARTS PER REEL WAS 150	SDH 2017-08-29	ND 2017-08-29
C1	REMOVE DASH IN PART NUMBER IN TAPE AND REEL TABLE	SDH 2018-06-28	



CARRIER TAPE SPECIFICATIONS						
PART NUMBER	DESCRIPTION	OVERALL DIMENSIONS	OVERALL HEIGHT	CARRIER TAPE WIDTH	CARRIER TAPE PITCH	PARTS PER REEL
SMS-451F	FRAME	2.000 X 1.500 [50.80 X 38.10]	.200 [5.08]	72 mm	48 mm	250
SMS-451C	COVER	2.028 X 1.528 [51.51 X 38.81]	.150 [3.81]	N/A	N/A	BULK PACK



THIS DOCUMENT CONTAINS PROPRIETARY INFORMATION OWNED BY LEADTECH OR DEVELOPED AT ITS OWN PRIVATE EXPENSE AND MAY NOT BE USED, DUPLICATED OR DISCLOSED IN WHOLE OR IN PART FOR ANY PURPOSE INCLUDING DESIGN, MANUFACTURE OR PROCUREMENT WITHOUT THE WRITTEN PERMISSION OF LEADTECH. LEADTECH DOES NOT GUARANTEE OR WARRANT THE PERFORMANCE CHARACTERISTICS.

FRIB: **LEADER TECH**  
a HEICO company  
The Leading Edge in EMI Shielding Technology

THIRD ANGLE PROJECTION

ANGLES +/- 2°

ITEM NO.	PART NUMBER	DESCRIPTION	QTY.
1	SMS-451F	FRAME	1
2	SMS-451C	COVER	1

UNLESS OTHERWISE SPECIFIED:  
- ALL DIMENSIONS ARE IN INCHES  
- PART SHALL BE FREE OF BURRS AND SHARP EDGES  
- ALL DIMENSIONS SHOWN APPLY AFTER PLATING AND COATINGS  
- ROHS COMPLIANT PER EU DIRECTIVE 2011/65/EU  
- POI = POINT OF INTERSECTION

SCALE: 2:1  
CAGE CODE: 4J674  
SHEET: 1 OF 1

DRAWN BY: JG  
APPROVED BY: ND  
DATE: 2015-11-09  
DATE: 2015-11-09

MATERIAL: MATTE  
0.012" PRE TIN STEEL

TITLE: SURFACE MOUNT SHIELD

SCALE: 2:1  
CAGE CODE: 4J674  
SHEET: 1 OF 1