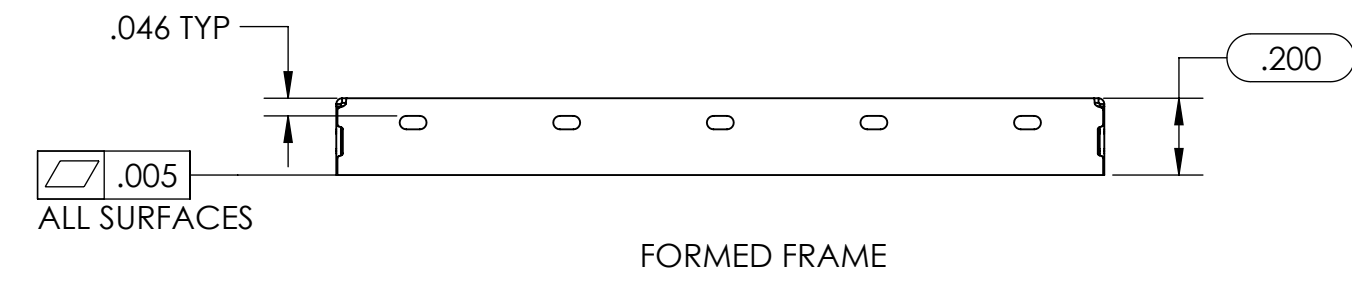
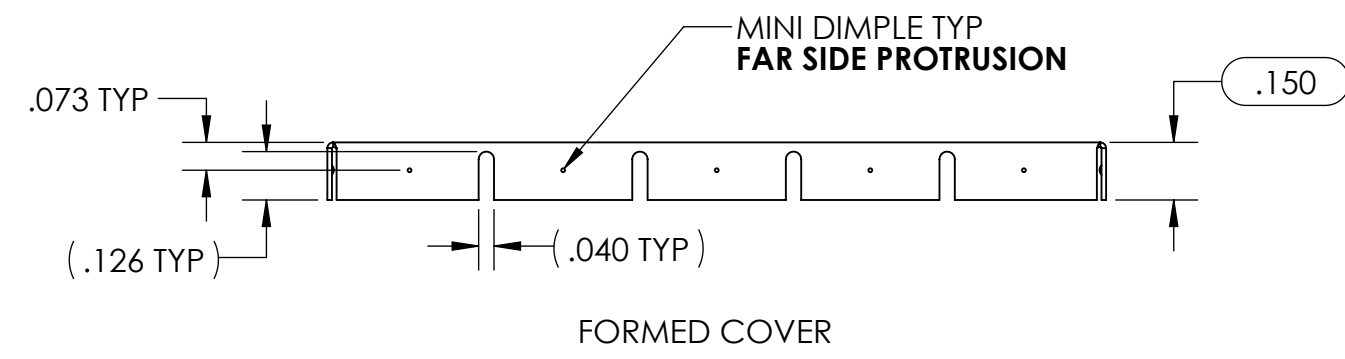
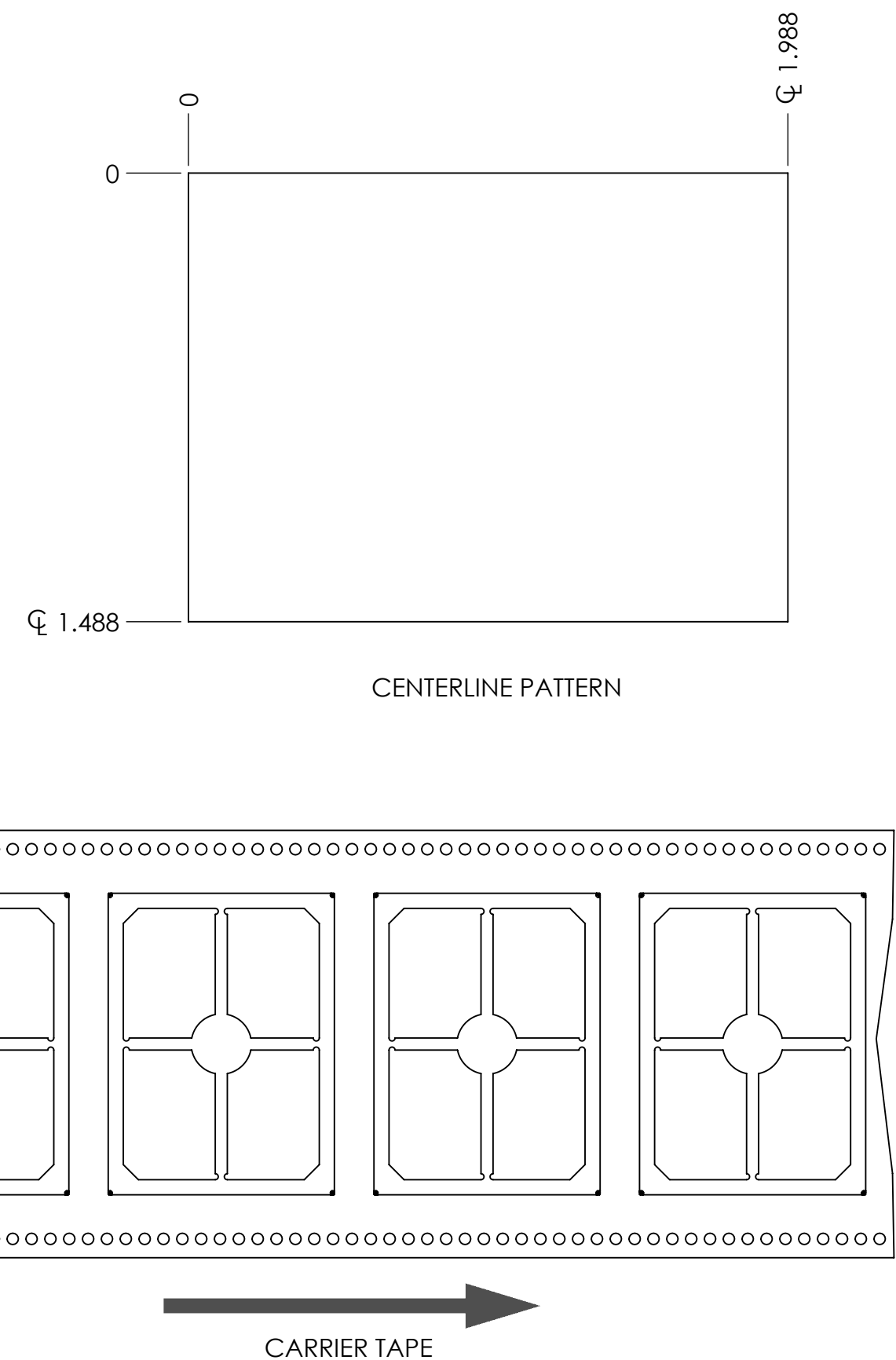
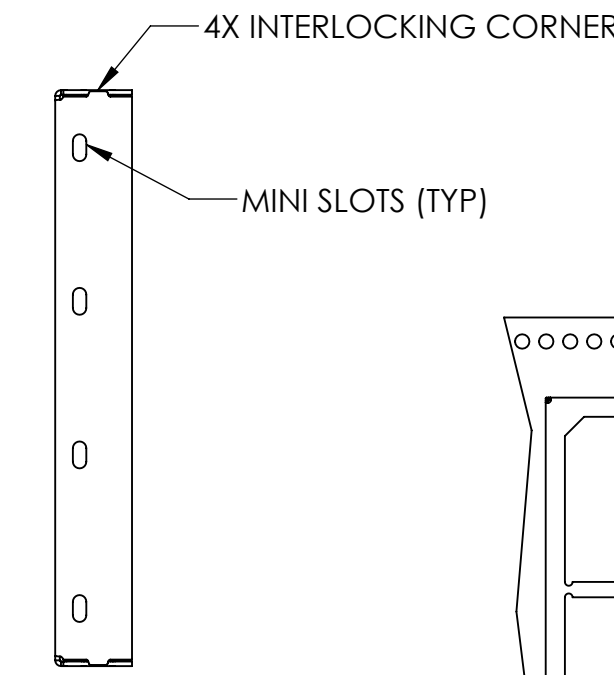
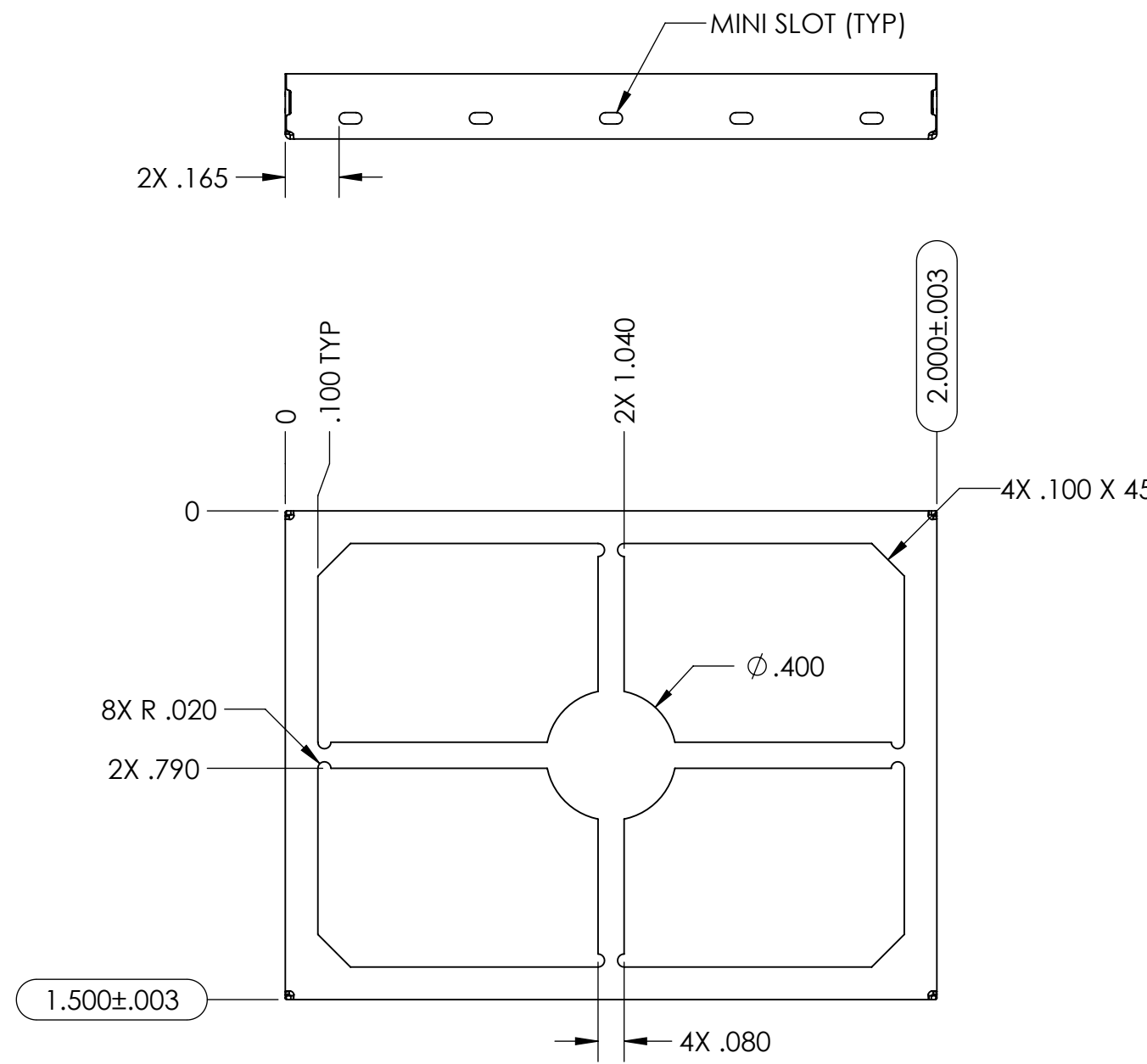
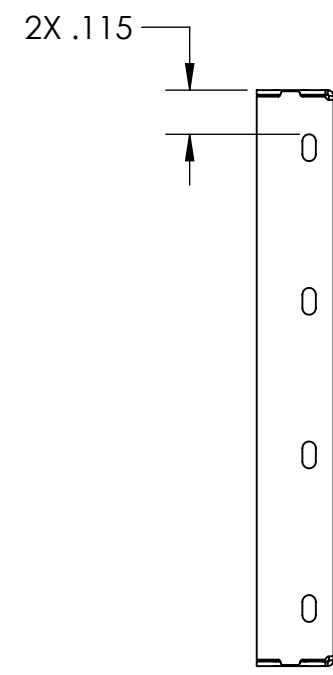
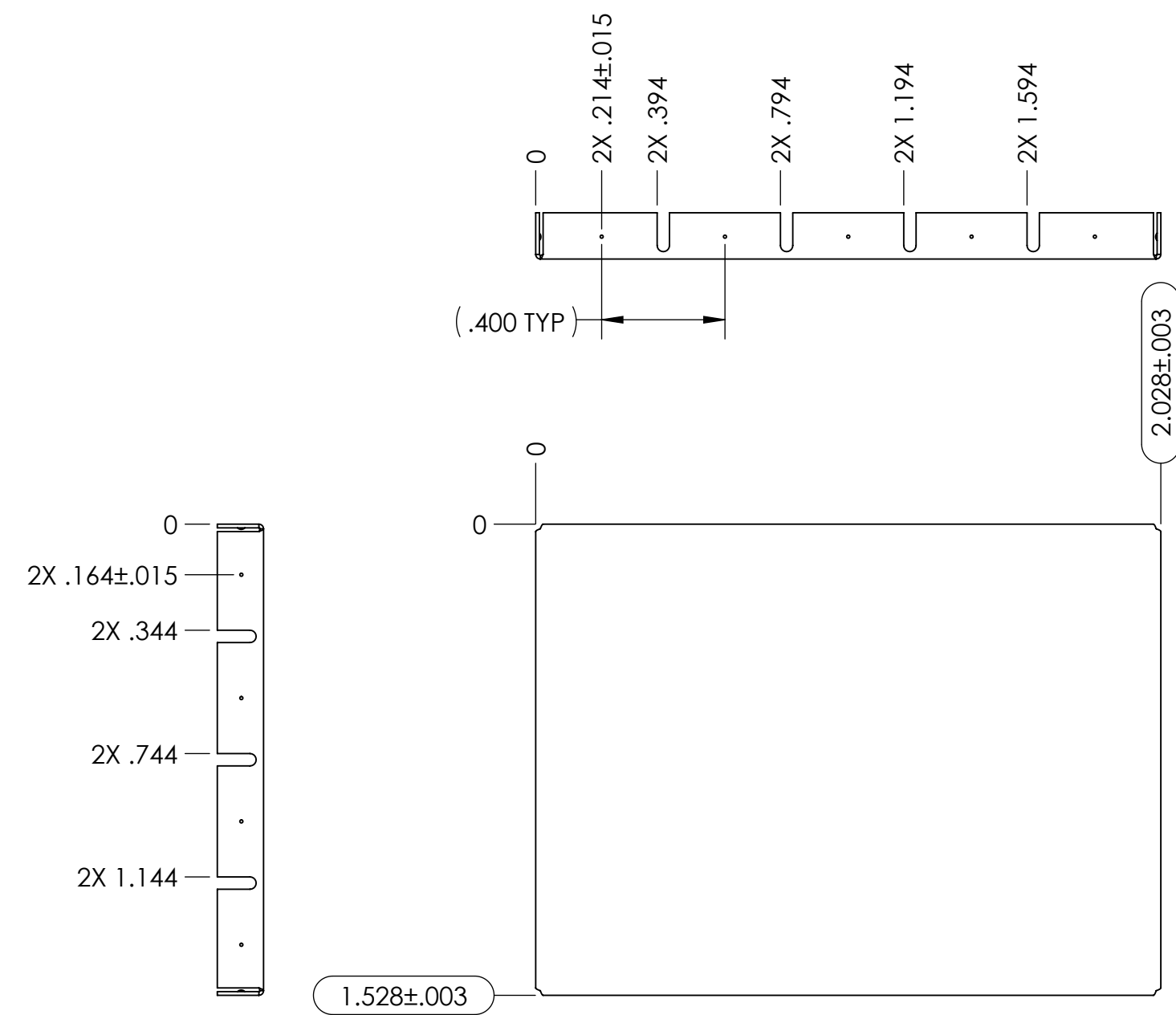


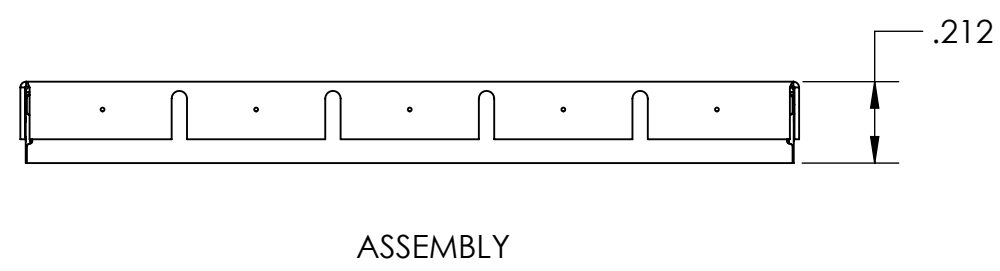
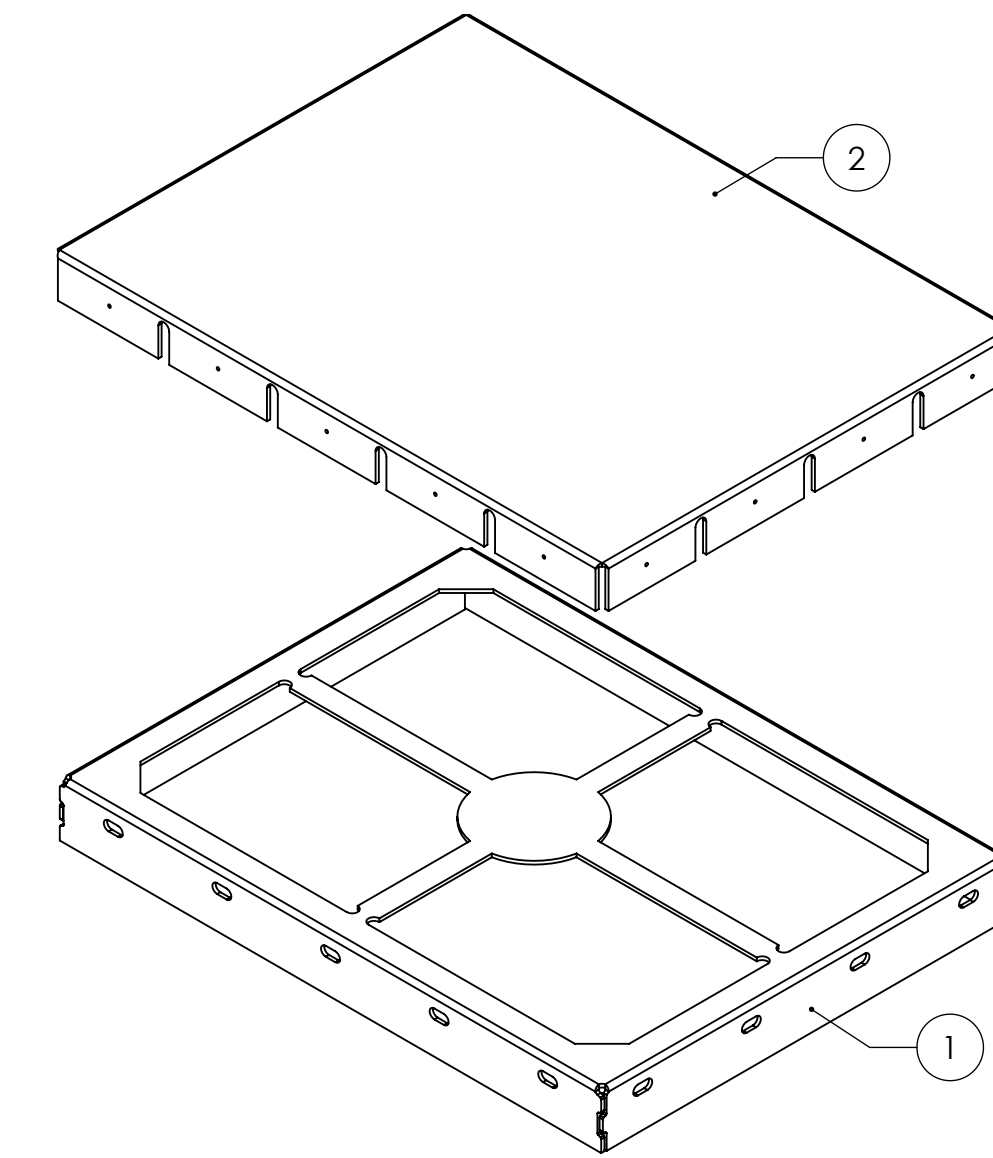
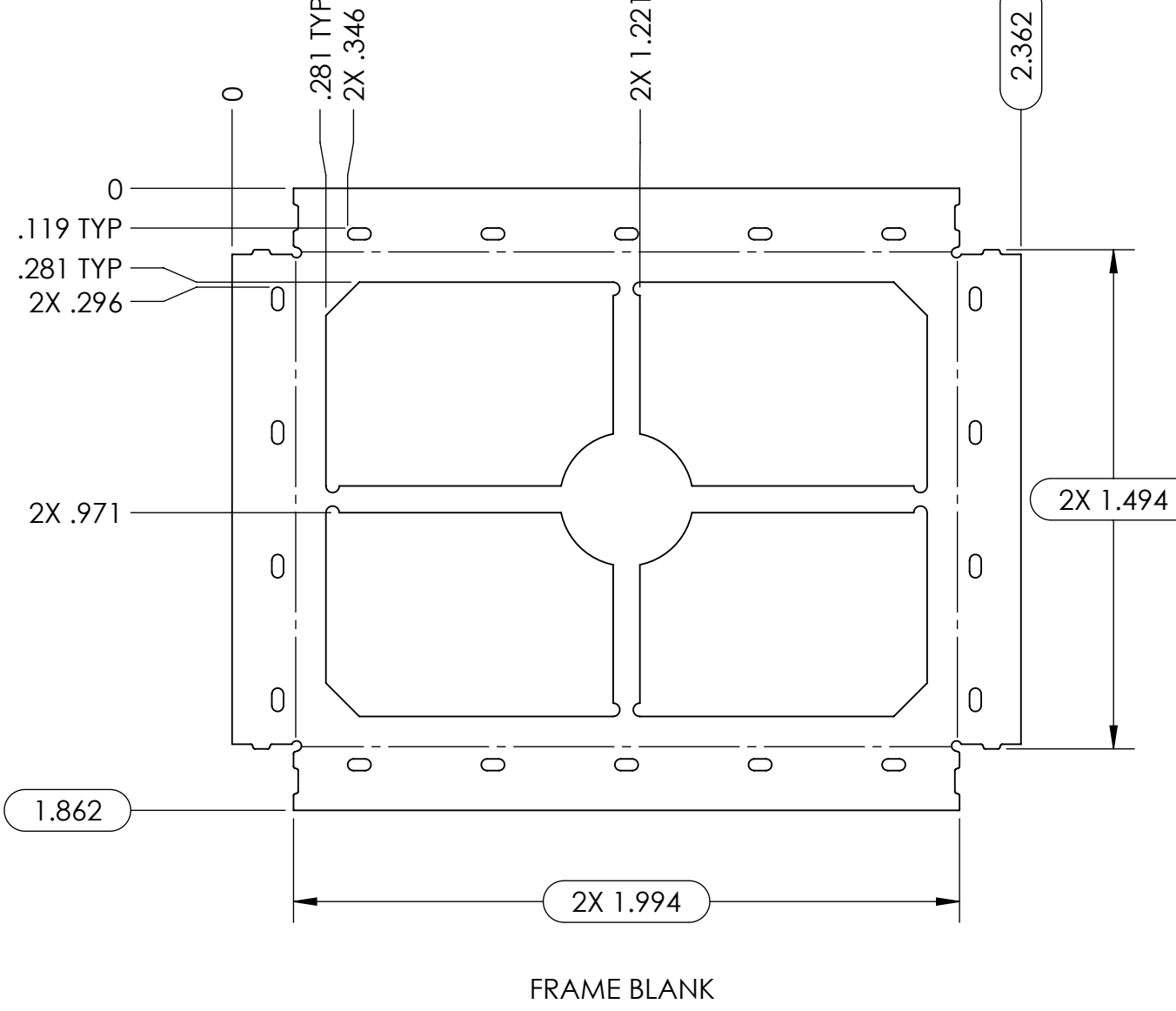
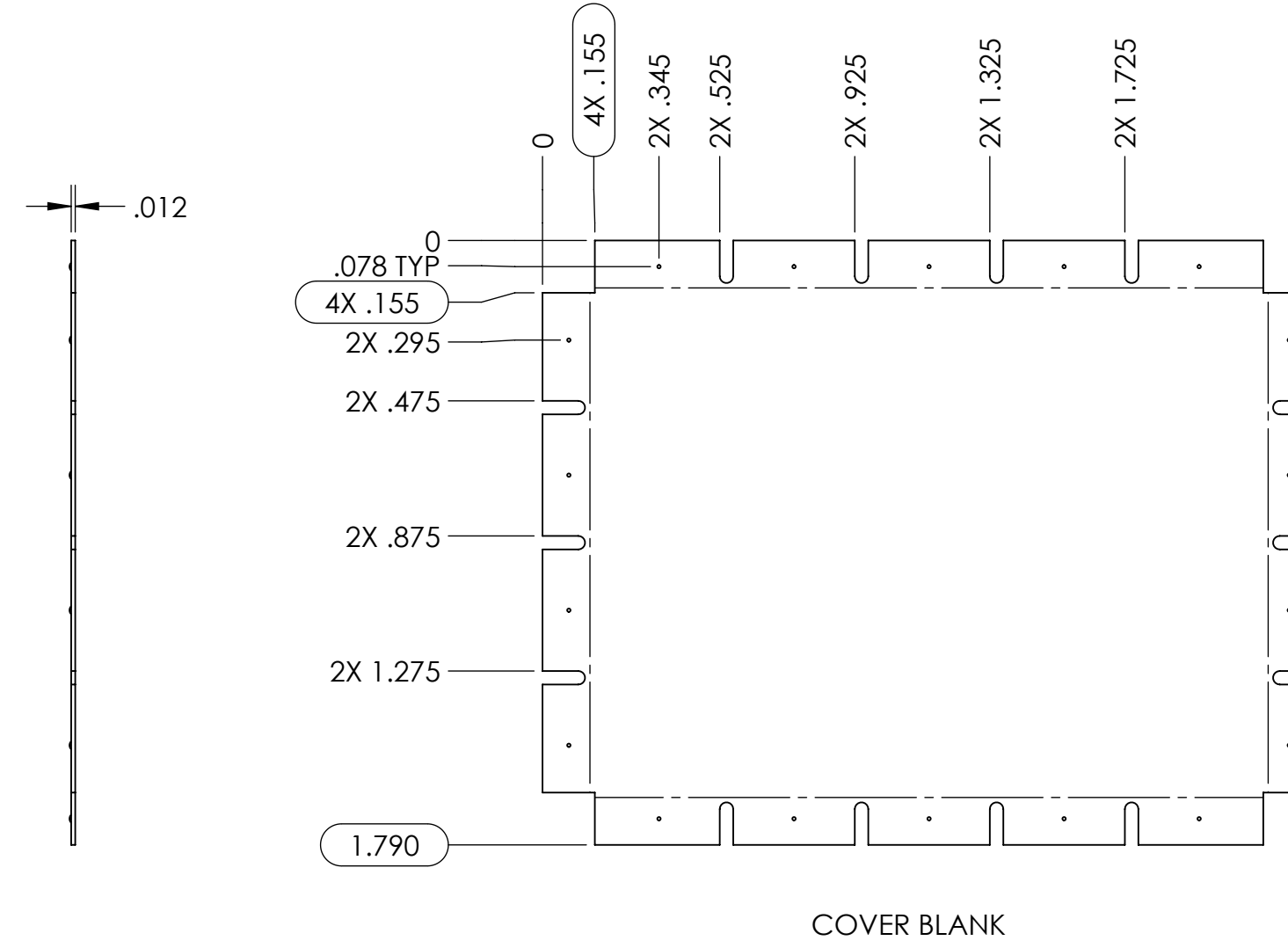
NOTES:

1. ASSURE ASSEMBLY CAPABILITY BY MATCHING WITH MATING PART

REVISIONS			
REV.	DESCRIPTION	CHANGED BY	APPROVED BY
B1	250 PARTS PER REEL WAS 150	SDH 2017-08-29	ND 2017-08-29
C1	NO CHANGES, CUSTOMER DRAWING CHANGES	SDH 2018-06-28	



CARRIER TAPE SPECIFICATIONS						
PART NUMBER	DESCRIPTION	OVERALL DIMENSIONS	OVERALL HEIGHT	CARRIER TAPE WIDTH	CARRIER TAPE PITCH	PARTS PER REEL
SMS-451-N-F	FRAME	2.000 X 1.500 [50.80 X 38.10]	.200 [5.08]	72 mm	48 mm	250
SMS-451-N-C	COVER	2.028 X 1.528 [51.51 X 38.81]	.150 [3.81]	N/A	N/A	BULK PACK



THIS DOCUMENT CONTAINS PROPRIETARY INFORMATION OWNED BY LEADERTECH OR DEVELOPED AT ITS OWN PRIVATE EXPENSE AND MAY NOT BE USED, DUPLICATED OR DISCLOSED IN WHOLE OR IN PART FOR ANY PURPOSE INCLUDING DESIGN, MANUFACTURE OR PROCUREMENT WITHOUT THE WRITTEN PERMISSION OF LEADERTECH. LEADERTECH DOES NOT GUARANTEE OR WARRANT THE PERFORMANCE CHARACTERISTICS.		FRISK: N/A	MATERIAL: 0.012" C77000 H02 (ALLOY 770) PER ASTM B122/B122M	THIRD ANGLE PROJECTION	LEADER TECH a HEICO company The Leading Edge in EMI Shielding Technology
UNLESS OTHERWISE SPECIFIED: - ALL DIMENSIONS ARE IN INCHES - PART SHALL BE FREE OF BURRS AND SHARP EDGES - ALL DIMENSIONS SHOWN APPLY AFTER PLATING AND COATINGS - ROHS COMPLIANT PER EU DIRECTIVE 2011/65/EU - POI = POINT OF INTERSECTION		ANGLES +/- 2°		TITLE: SURFACE MOUNT SHIELD	
DRAWN BY: SDH		APPROVED BY: ND		DATE: 2016-08-09	
SIZE: 2:1	DWG. NO.: D SMS-451-N-MFG C1	CAGE CODE: 4J674	SHEET: 1 OF 1		