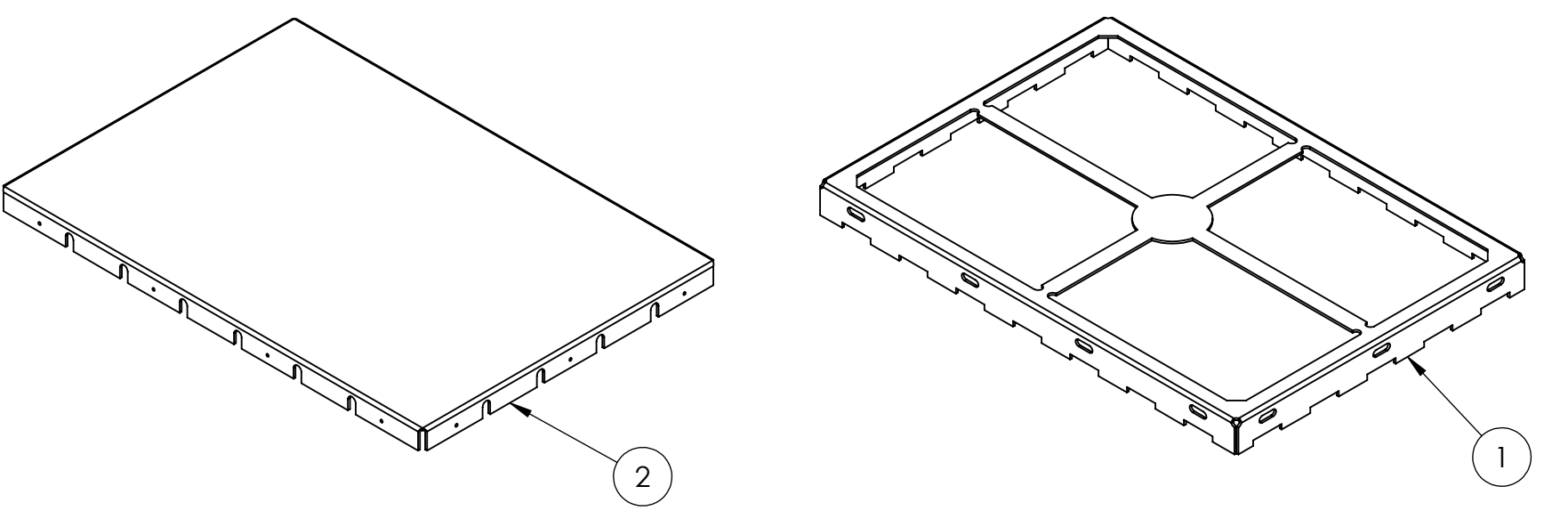
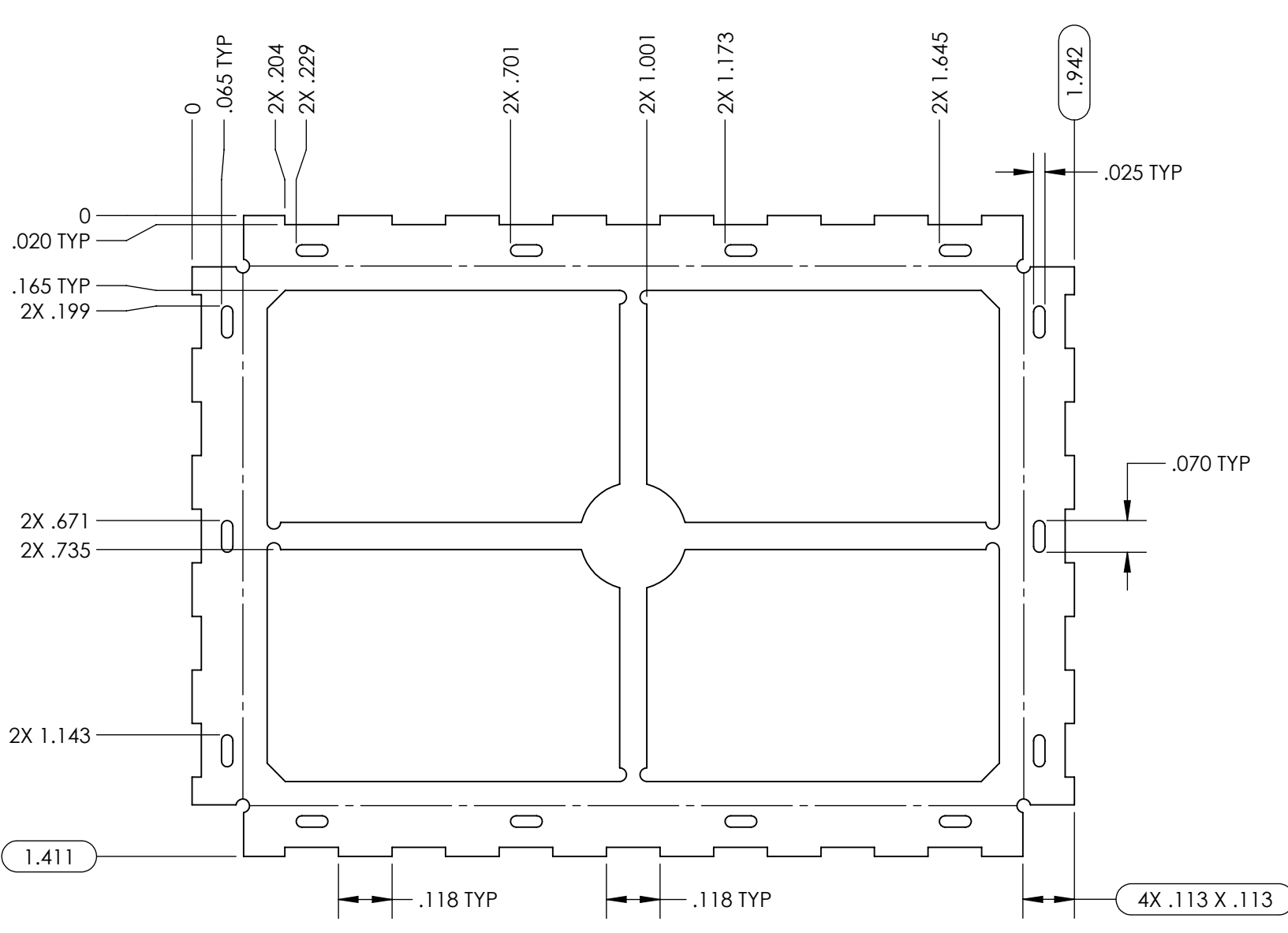
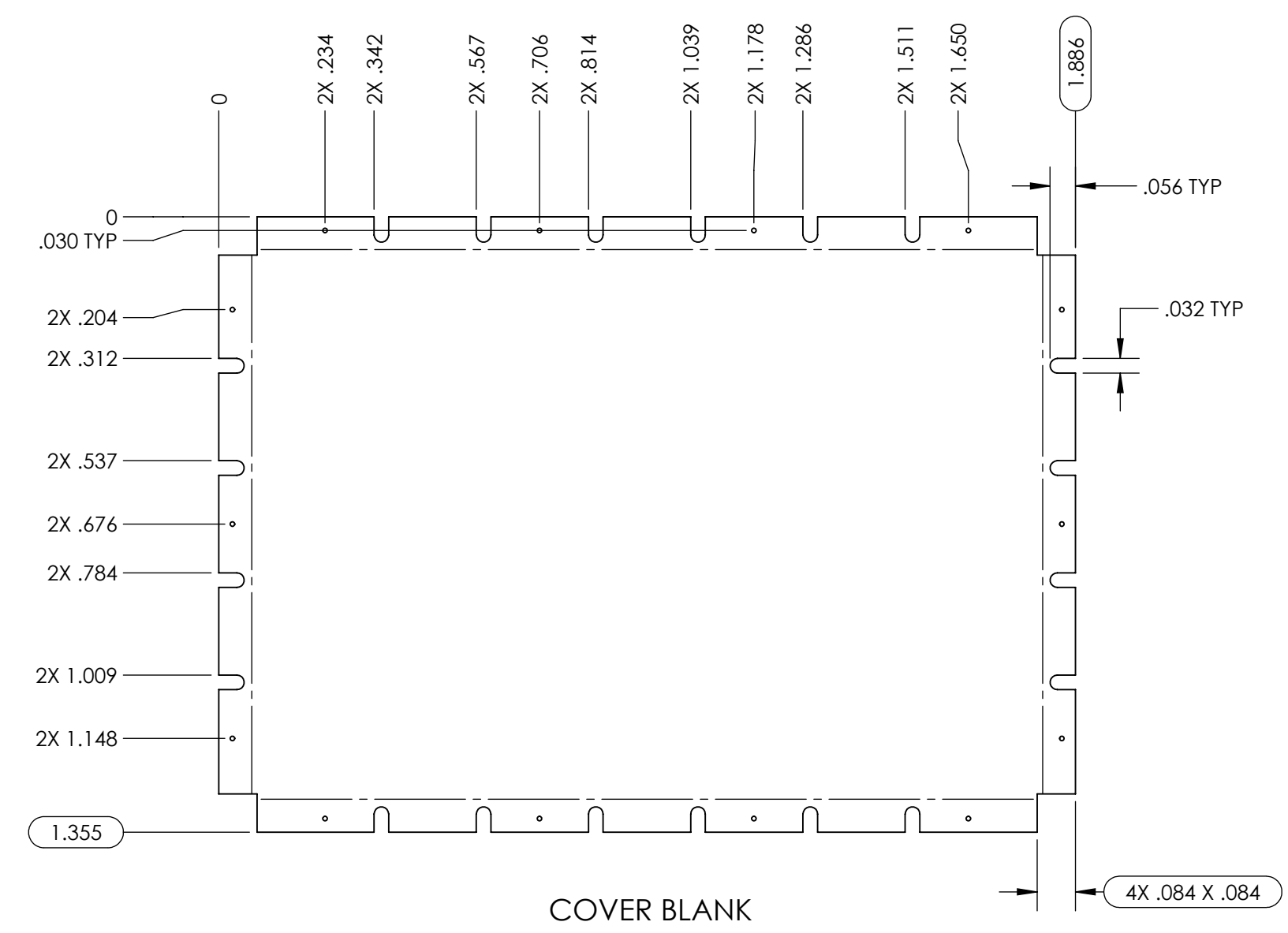
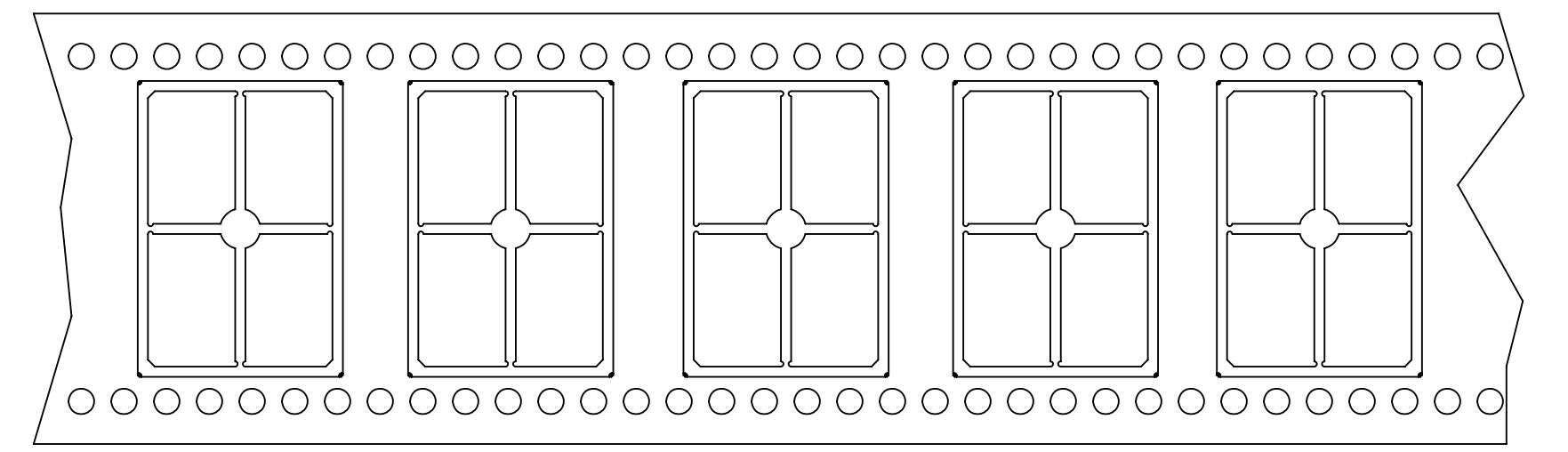
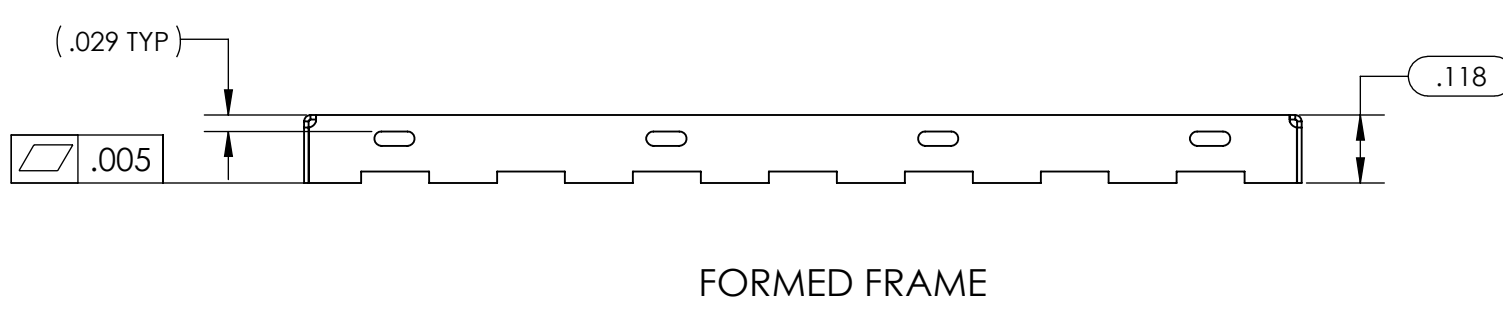
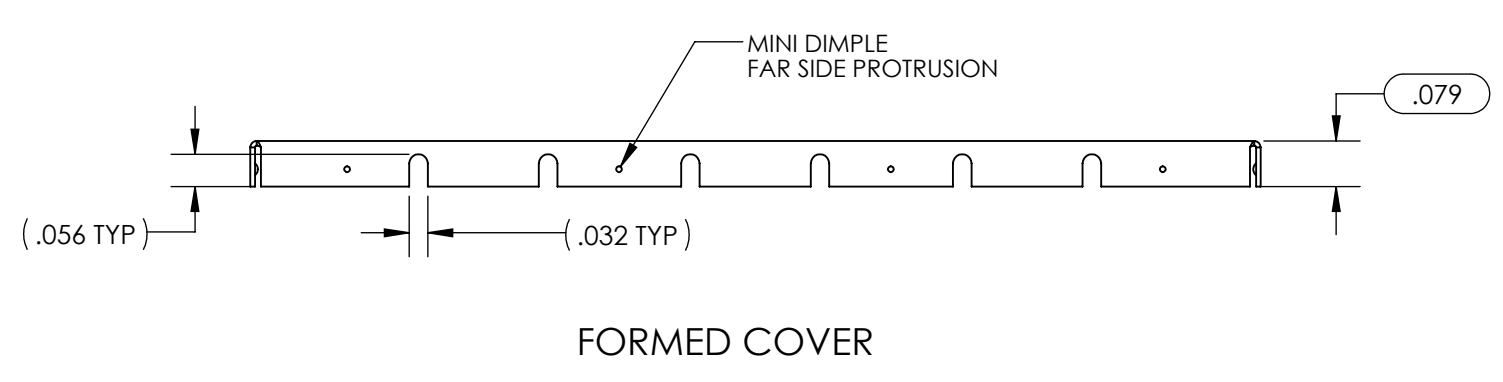
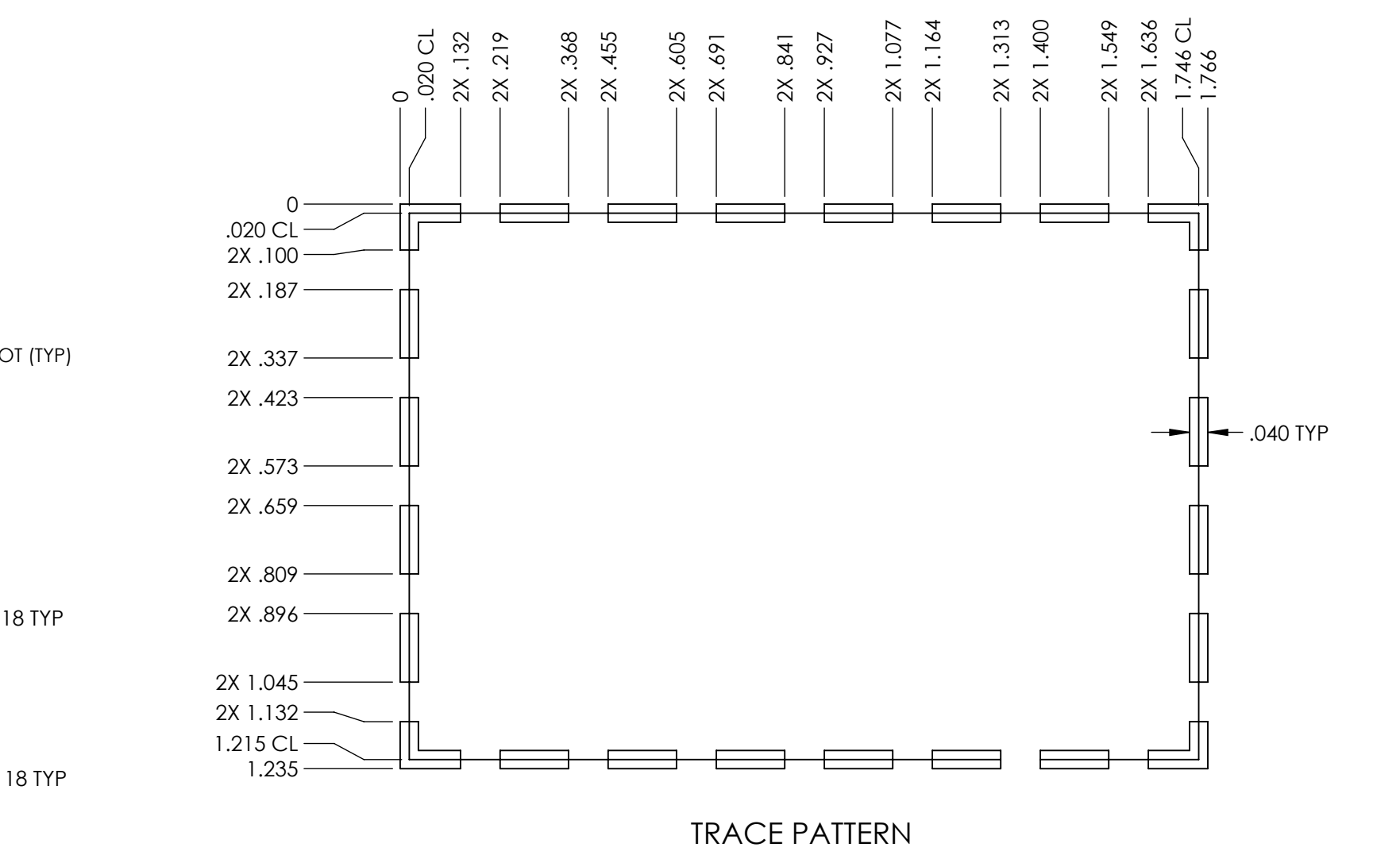
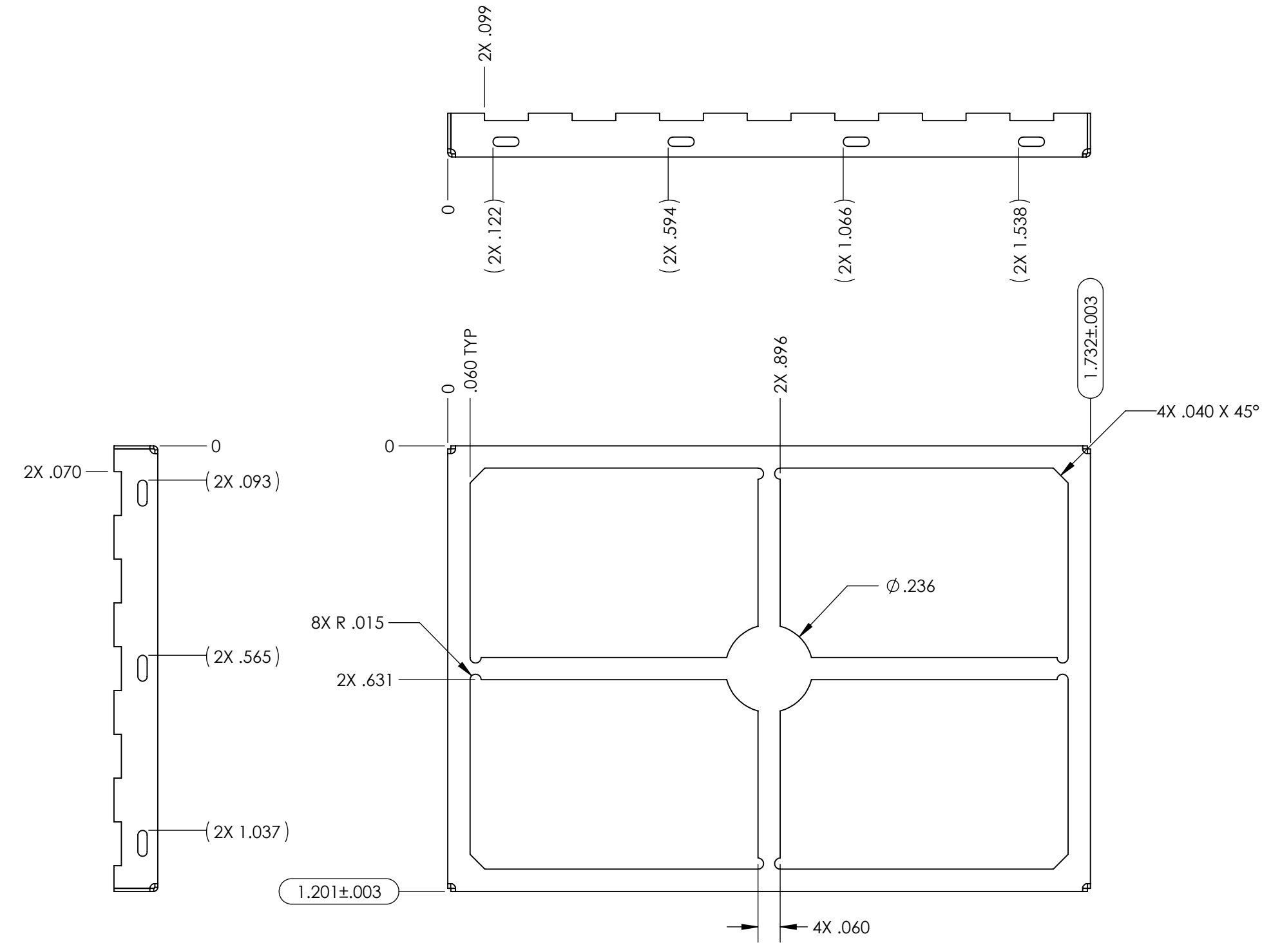
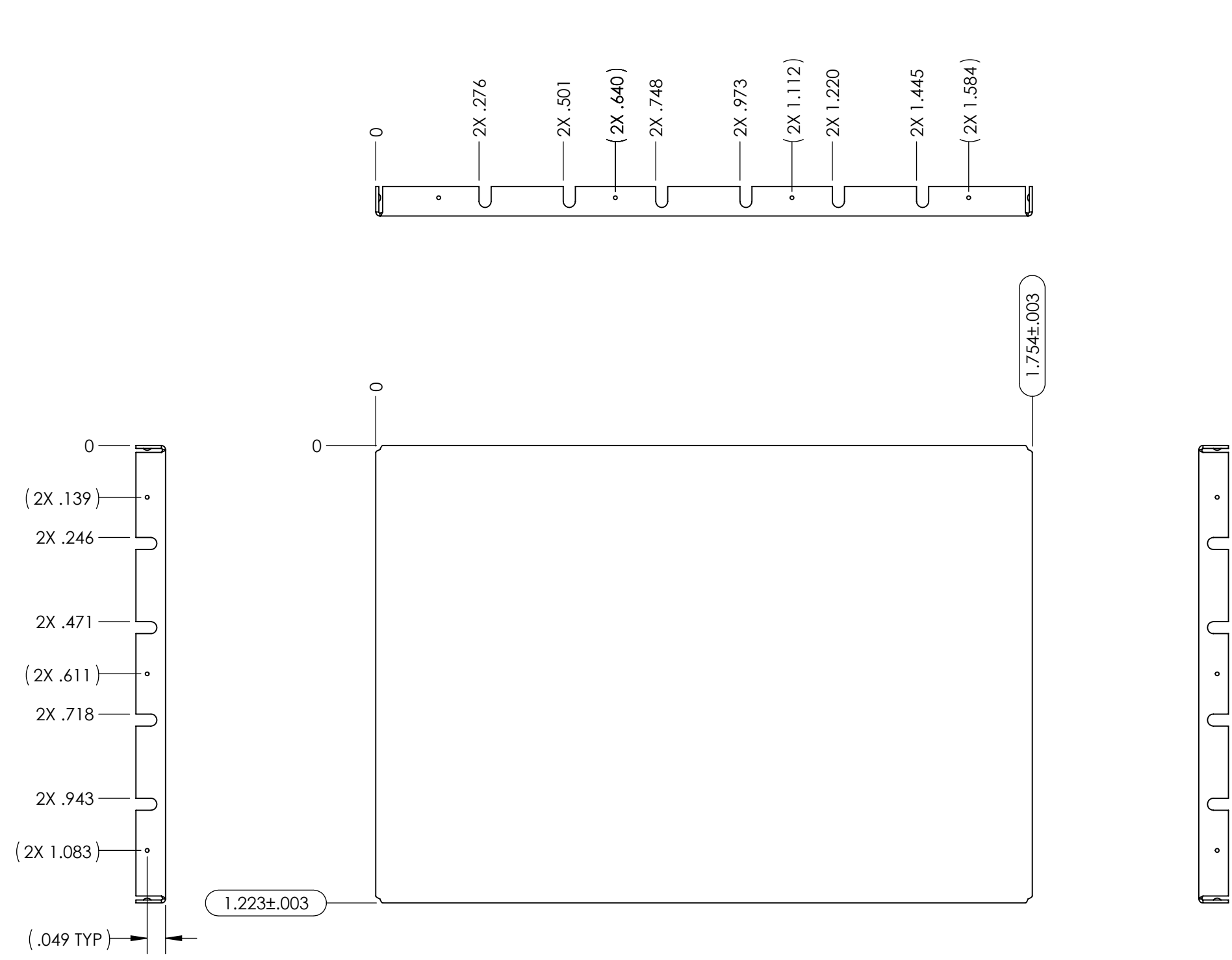


NOTES:
1. ASSURE ASSEMBLY CAPABILITY BY MATCHING WITH MATING PART

REVISIONS			
REV.	DESCRIPTION	CHANGED BY	APPROVED BY
A1	PRODUCTION RELEASE	ACS 2015-05-20	ND 2015-07-10
B1	CARRIER TAPE WIDTH 72MM WAS 56MM	SDH 2015-07-31	



ITEM NO.	PART NUMBER	DESCRIPTION	QTY.
1	SMS-410 F	FRAME	1
2	SMS-410 C	COVER	1

UNLESS OTHERWISE SPECIFIED:
- ALL DIMENSIONS ARE IN INCHES
- PART SHALL BE FREE OF BURRS AND SHARP EDGES
- ALL DIMENSIONS SHOWN APPLY AFTER PLATING AND COATINGS
- ROHS COMPLIANT PER EU DIRECTIVE 2011/65/EU
- POI = POINT OF INTERSECTION

THIRD ANGLE PROJECTION

LEADER TECH
a HEICO company
The Leading Edge in PAF Housing Technology

TITLE: SURFACE MOUNT SHIELD

DRAWN BY: DJM
APPROVED BY: RS

DATE: 2010-12-17
REV: 2010-12-17

SCALE: 3:1
DWG. NO.: D SMS-410-MFG
CAGE CODE: 4J674
SHEET: 1 OF 1

THIS DOCUMENT CONTAINS PROPRIETARY INFORMATION OWNED BY LEADERTECH OR DERIVED AT ITS OWN PRIVATE EXPENSE AND MAY NOT BE USED, REPRODUCED OR DISCLOSED IN WHOLE OR IN PART FOR ANY PURPOSE INCLUDING DESIGN, MANUFACTURE OR PROCUREMENT WITHOUT THE WRITTEN PERMISSION OF LEADERTECH. LEADERTECH DOES NOT GUARANTEE OR WARRANT THE PERFORMANCE CHARACTERISTICS.