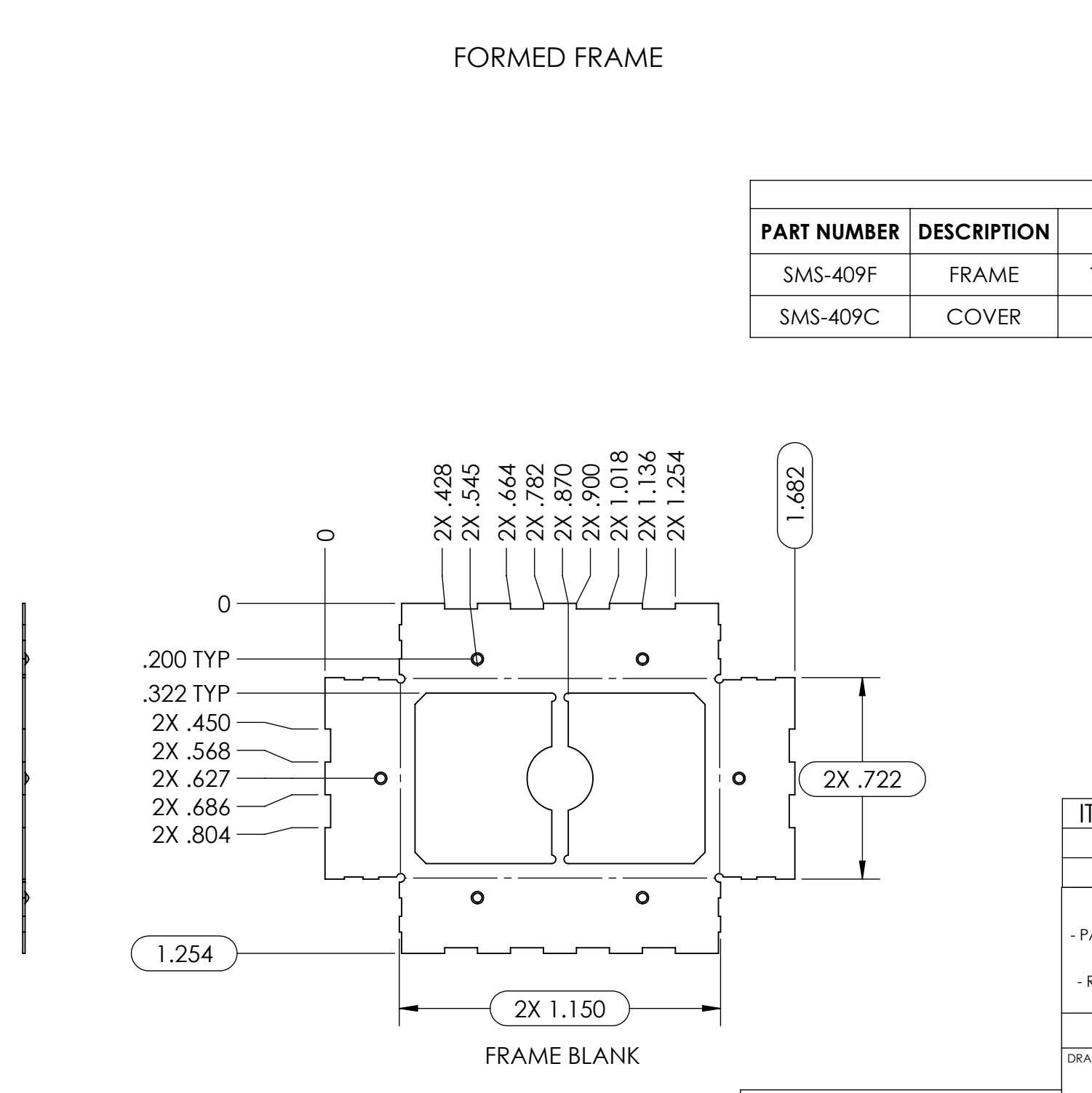
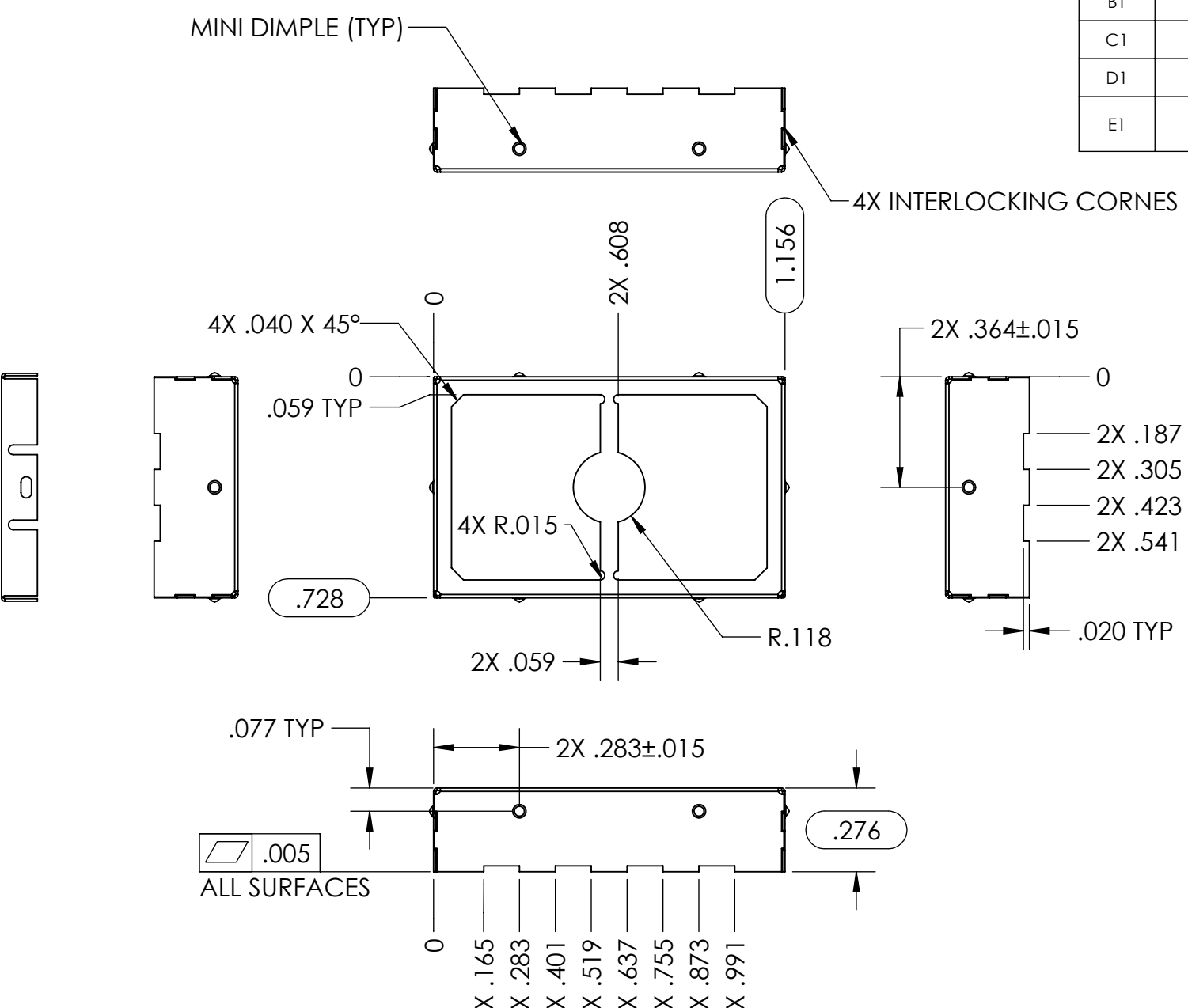
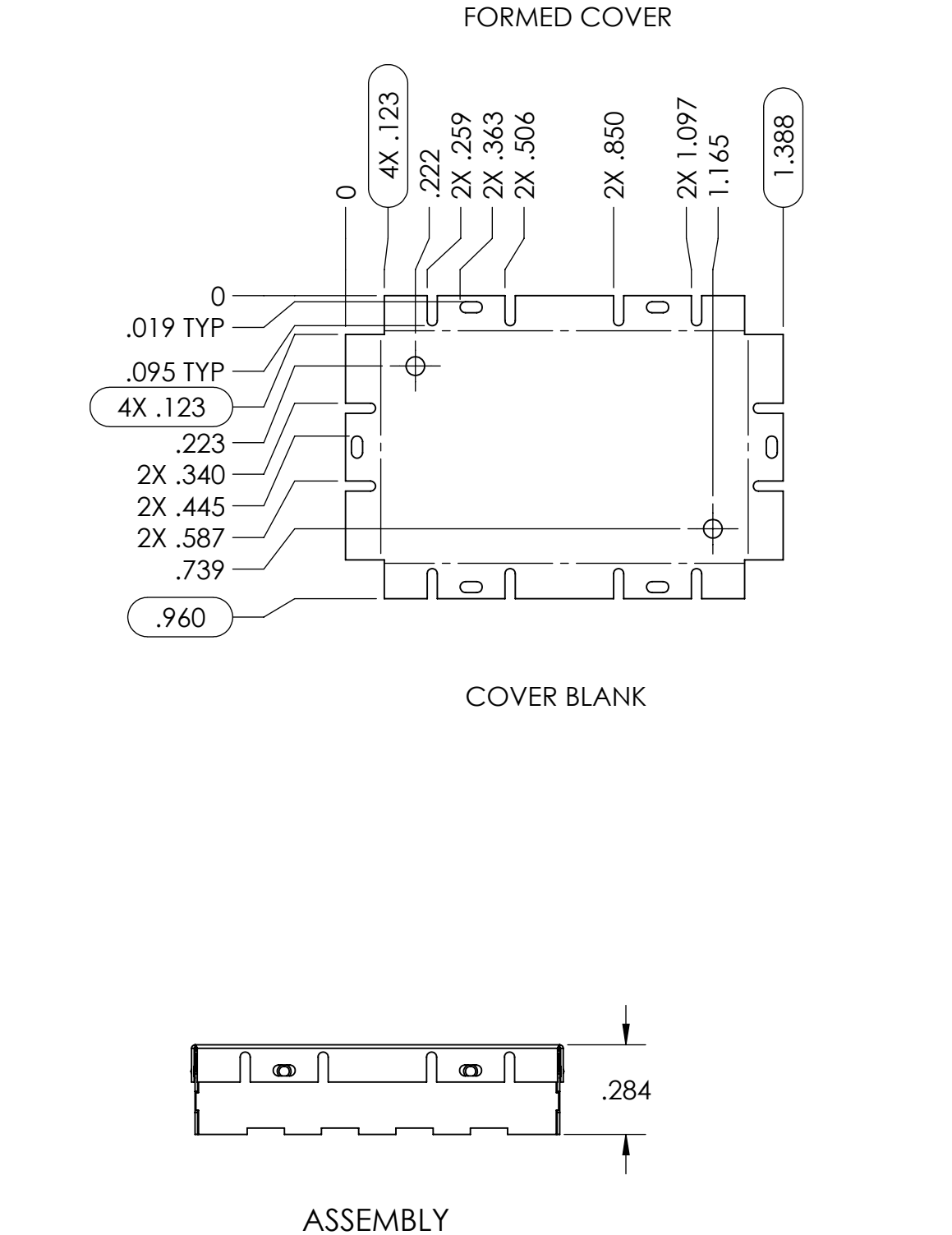
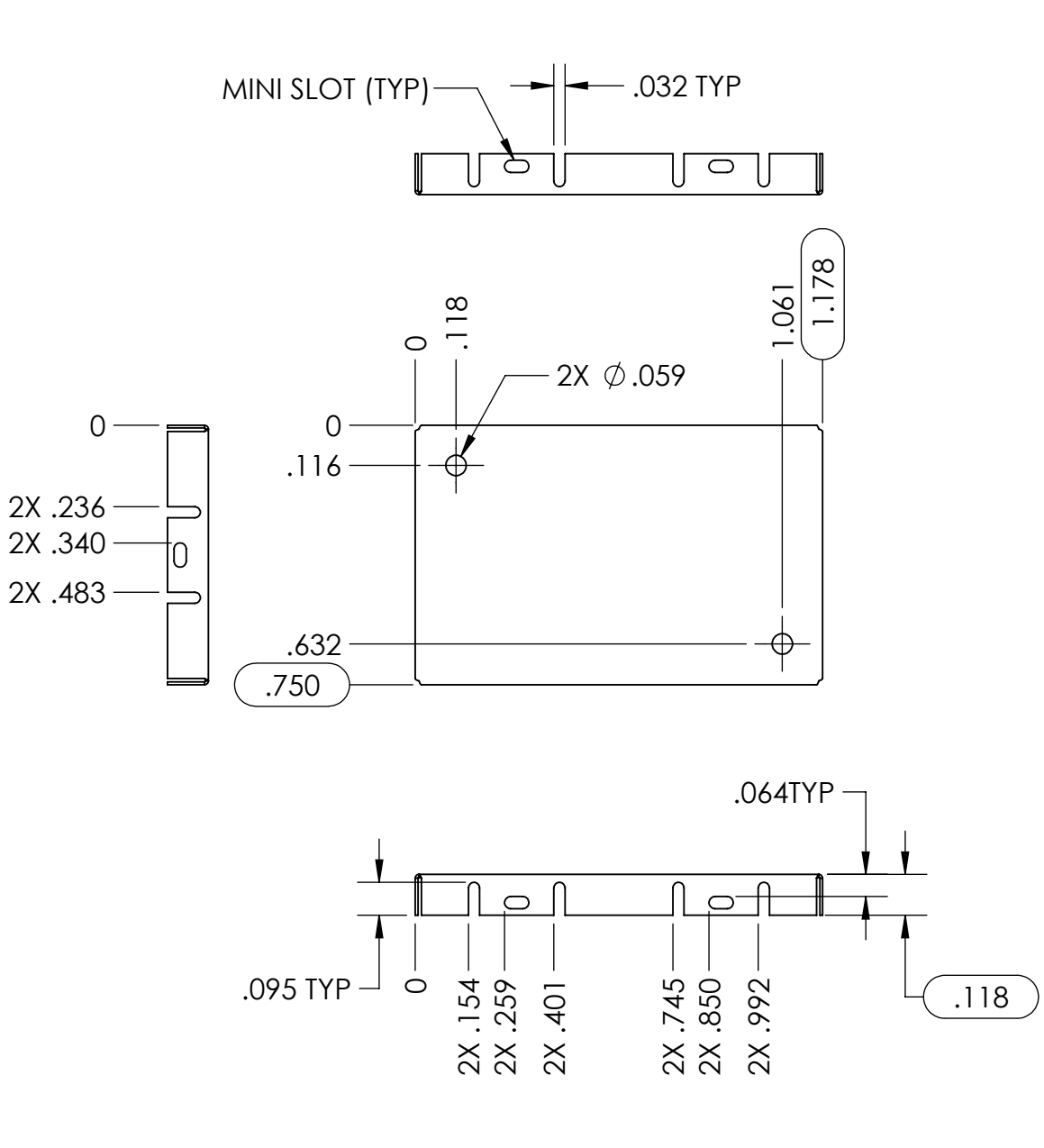
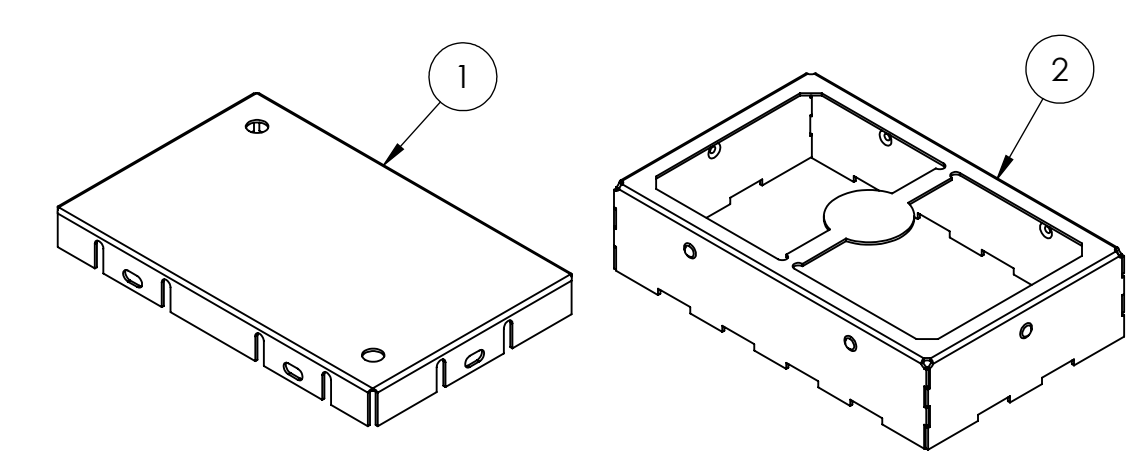


NOTES:
 1. ASSURE ASSEMBLY CAPABILITY BY MATCHING WITH MATING PART

| REVISIONS | | | |
|-----------|---|----------------|---------------|
| REV. | DESCRIPTION | CHANGED BY | APPROVED BY |
| A1 | PRODUCTION RELEASE | - | - |
| B1 | PARTS PER REEL 350 WAS 400 | SDH 2016-11-07 | ND 2016-11-07 |
| C1 | .020" CASTELLATION HEIGHT DIMENSION ADDED | JG 2017-05-24 | ND 2017-05-04 |
| D1 | 325 PARTS PER REEL WAS 350 | NB 2017-11-17 | ND 2017-11-17 |
| E1 | OVERALL COVER HEIGHT IN T&R CHANGED TO .118" IN ORDER TO MATCH ACTUAL DIMENSION, WAS .079 | LB2 8/30/2019 | |



| CARRIER TAPE SPECIFICATIONS | | | | | | |
|-----------------------------|-------------|-------------------------------|----------------|--------------------|--------------------|----------------|
| PART NUMBER | DESCRIPTION | OVERALL DIMENSIONS | OVERALL HEIGHT | CARRIER TAPE WIDTH | CARRIER TAPE PITCH | PARTS PER REEL |
| SMS-409F | FRAME | 1.156 X 0.728 (29.36 X 18.49) | .276 (7.01) | 44 mm | 28 mm | 325 |
| SMS-409C | COVER | 1.178 X 0.750 (29.92 X 19.05) | .118 (3.00) E1 | N/A | N/A | BULK PACK |



| ITEM NO. | PART NUMBER | DESCRIPTION | QTY. |
|----------|-------------|-------------|------|
| 1 | SMS-409C | COVER | 1 |
| 2 | SMS-409F | FRAME | 1 |

UNLESS OTHERWISE SPECIFIED:
 - ALL DIMENSIONS ARE IN INCHES
 - PART SHALL BE FREE OF BURRS AND SHARP EDGES
 - ALL DIMENSIONS SHOWN APPLY BEFORE PLATING AND COATINGS
 - RoHS COMPLIANT PER EU DIRECTIVE 2011/65/EU
 - POI = POINT OF INTERSECTION

THIRD ANGLE PROJECTION

ANGLES +/- 2°

DRAWN BY: SDH 2015-11-23 APPROVED BY: ND 2015-11-23

FINISH: MATTE

MATERIAL: 0.008" PRE TIN STEEL

LEADER TECH
 a HEICO company
 The Leading Edge in EMI Shielding Technology

TITLE: SURFACE MOUNT SHIELD

SIZE: C DWG. NO.: SMS-409-MFG REV: E1

SCALE: 2:1 CAGE CODE: 4J674 SHEET: 1 OF 1

THIS DOCUMENT CONTAINS PROPRIETARY INFORMATION OWNED BY LEADERTECH, OR DEVELOPED AT ITS OWN PRIVATE EXPENSE, AND MAY NOT BE USED, DUPLICATED OR DISCLOSED IN WHOLE OR IN PART FOR ANY PURPOSE INCLUDING DESIGN, MANUFACTURE OR PROCUREMENT WITHOUT THE WRITTEN PERMISSION OF LEADERTECH. LEADERTECH DOES NOT GUARANTEE OR WARRANTY THE PERFORMANCE CHARACTERISTICS.