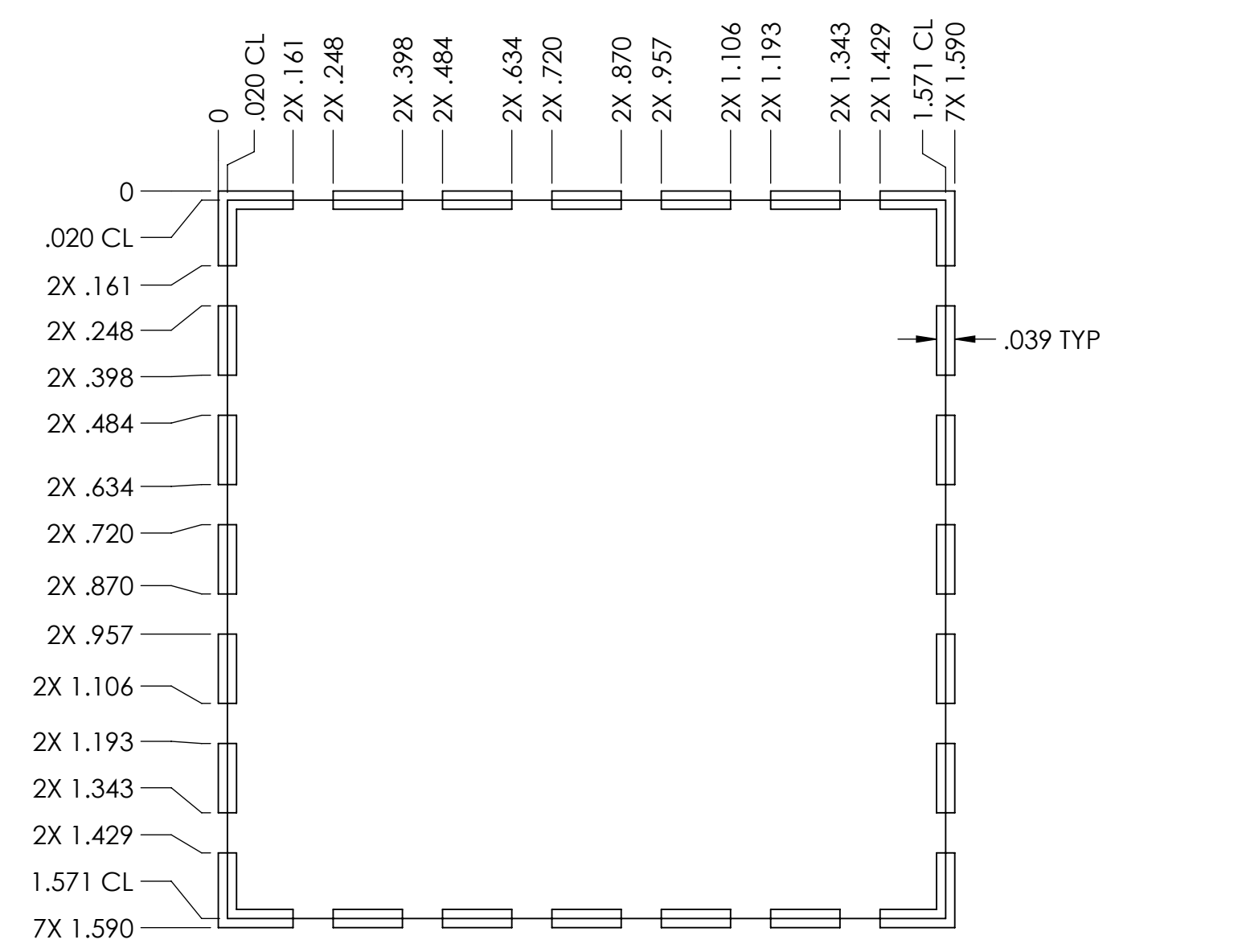
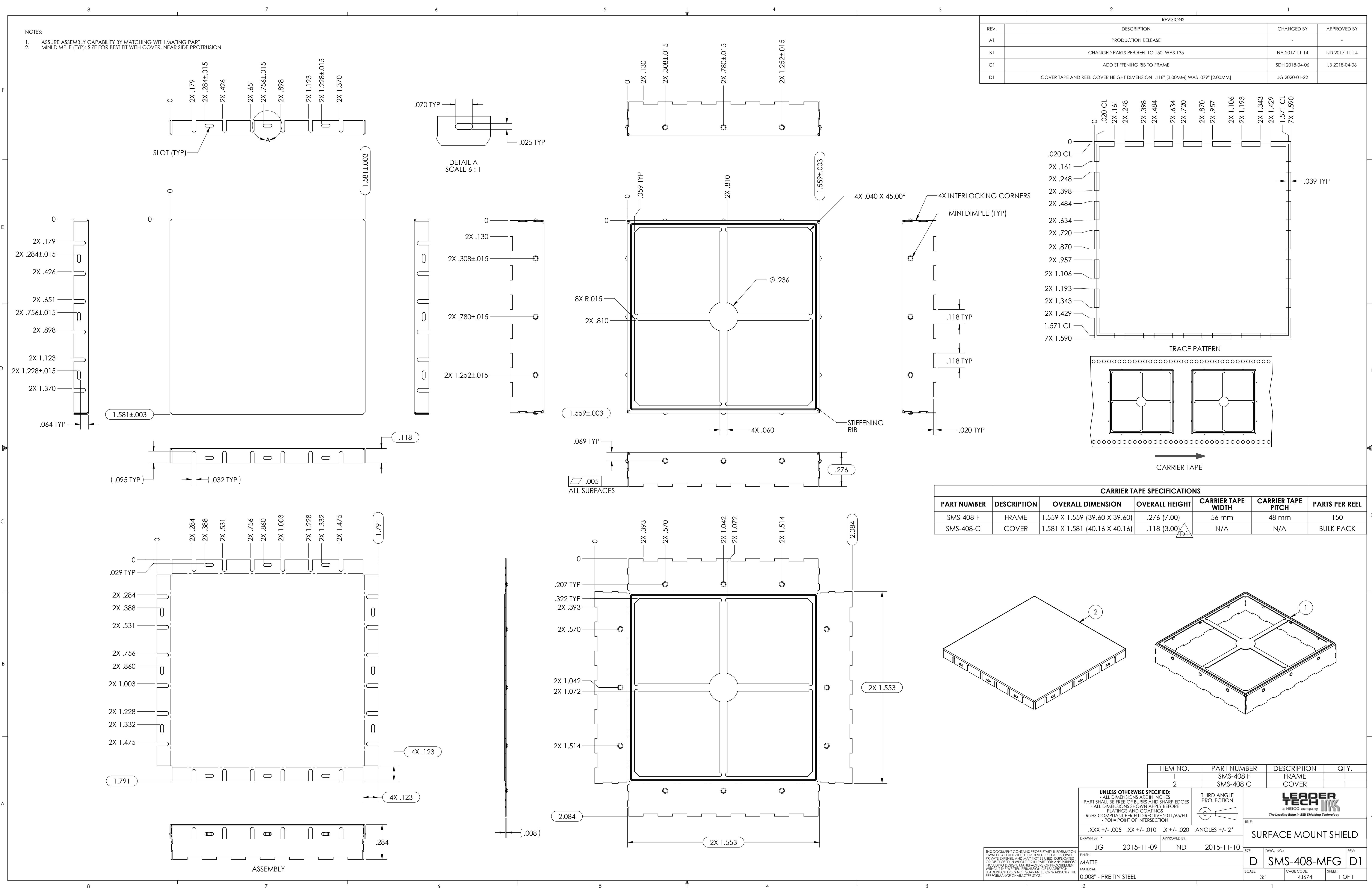
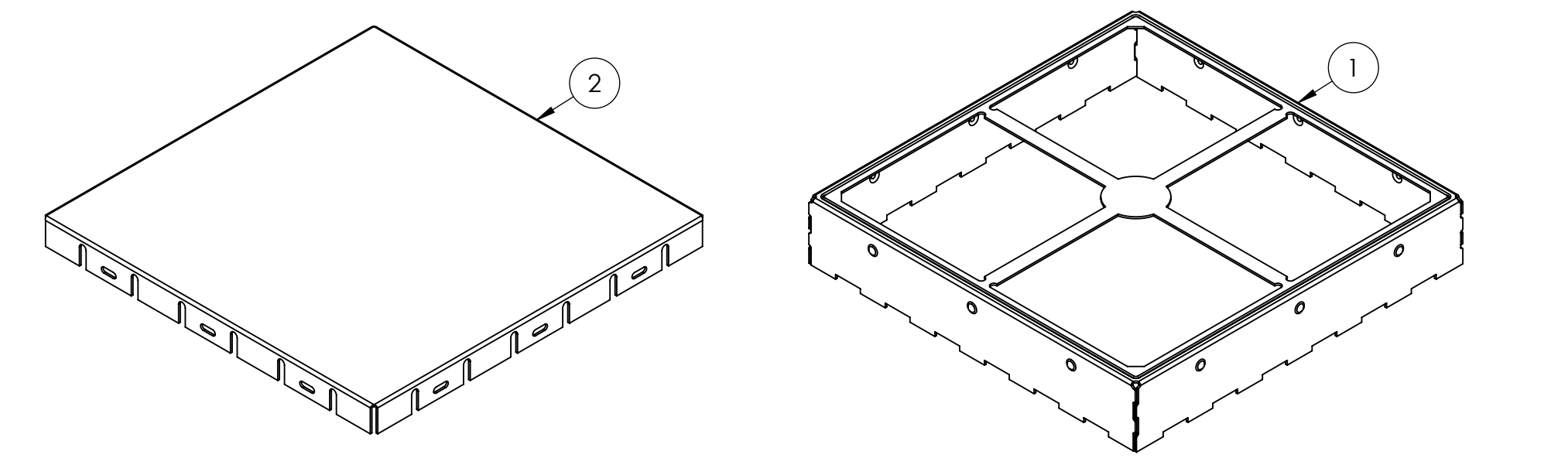


NOTES:  
 1. ASSURE ASSEMBLY CAPABILITY BY MATCHING WITH MATING PART  
 2. MINI DIMPLE (TYP): SIZE FOR BEST FIT WITH COVER, NEAR SIDE PROTRUSION

REVISIONS			
REV.	DESCRIPTION	CHANGED BY	APPROVED BY
A1	PRODUCTION RELEASE		
B1	CHANGED PARTS PER REEL TO 150. WAS 135	NA 2017-11-14	ND 2017-11-14
C1	ADD STIFFENING RIB TO FRAME	SDH 2018-04-06	LB 2018-04-06
D1	COVER TAPE AND REEL COVER HEIGHT DIMENSION .118" [3.00MM] WAS .079" [2.00MM]	JG 2020-01-22	



CARRIER TAPE SPECIFICATIONS						
PART NUMBER	DESCRIPTION	OVERALL DIMENSION	OVERALL HEIGHT	CARRIER TAPE WIDTH	CARRIER TAPE PITCH	PARTS PER REEL
SMS-408-F	FRAME	1.559 X 1.559 (39.60 X 39.60)	.276 (7.00)	56 mm	48 mm	150
SMS-408-C	COVER	1.581 X 1.581 (40.16 X 40.16)	.118 (3.00)	N/A	N/A	BULK PACK



ITEM NO.	PART NUMBER	DESCRIPTION	QTY.
1	SMS-408 F	FRAME	1
2	SMS-408 C	COVER	1

UNLESS OTHERWISE SPECIFIED: - ALL DIMENSIONS ARE IN INCHES - PART SHALL BE FREE OF BURRS AND SHARP EDGES - ALL DIMENSIONS SHOWN APPLY BEFORE PLATING AND COATINGS - ROHS COMPLIANT PER EU DIRECTIVE 2011/65/EU - POI = POINT OF INTERSECTION			
DRAWN BY: JG		APPROVED BY: ND	
DATE: 2015-11-09		DATE: 2015-11-10	
MATERIAL: MATTE 0.008" - PRE TIN STEEL			

THIRD ANGLE PROJECTION	ANGLES +/- 2°
TITLE: SURFACE MOUNT SHIELD	
SCALE: 3:1	CAGE CODE: 41674
SHEET: 1 OF 1	REV: D1

THIS DOCUMENT CONTAINS PROPRIETARY INFORMATION OWNED BY LEADTECH OR DEVELOPED AT ITS OWN PRIVATE EXPENSE AND MAY NOT BE USED, DUPLICATED OR DISCLOSED IN WHOLE OR IN PART FOR ANY PURPOSE INCLUDING DESIGN, MANUFACTURE OR PROCUREMENT WITHOUT THE WRITTEN PERMISSION OF LEADTECH. LEADTECH DOES NOT GUARANTEE OR WARRANT THE PERFORMANCE CHARACTERISTICS.