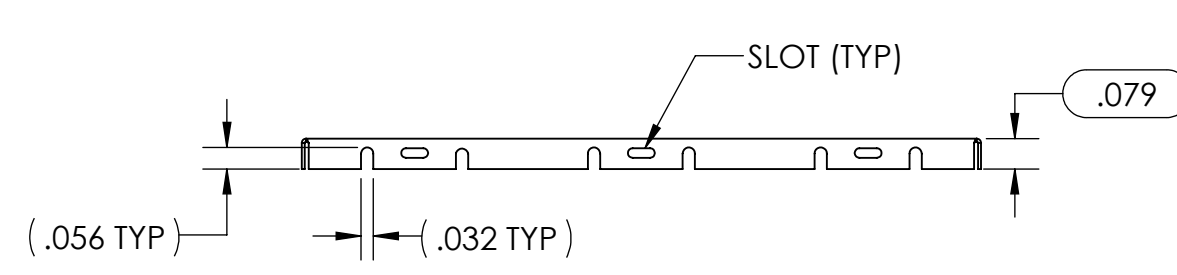
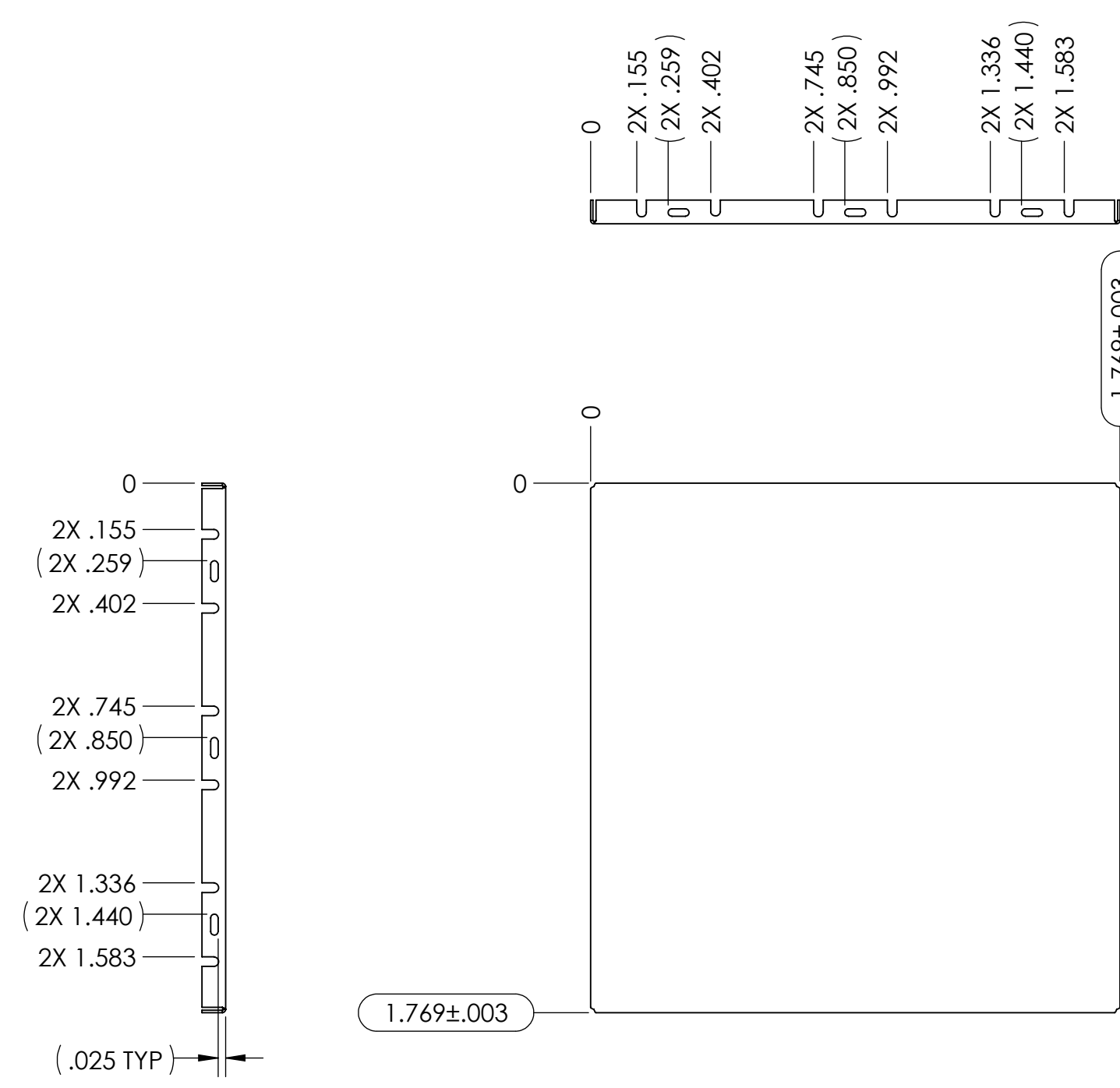
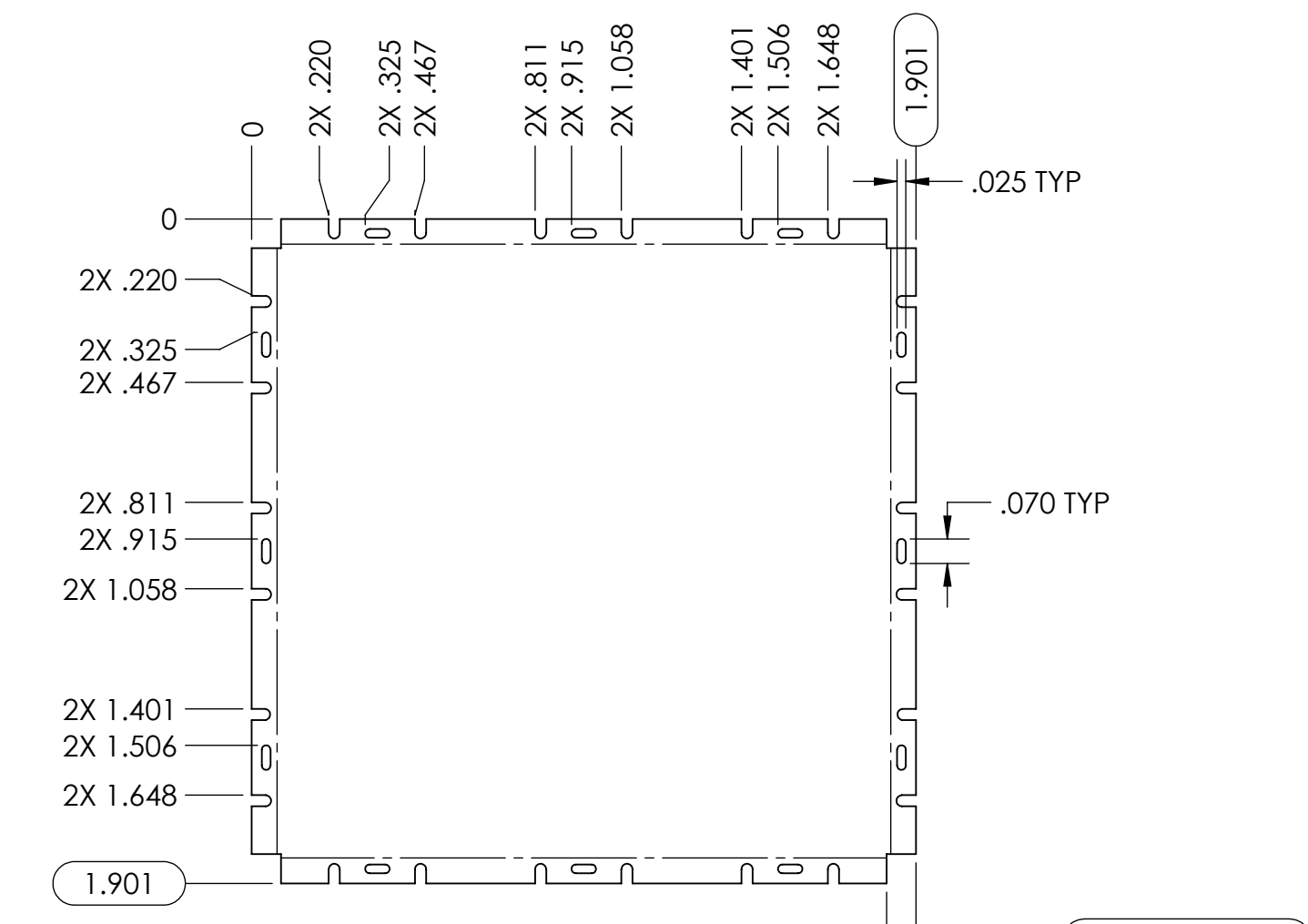


NOTES:
 1. ASSURE ASSEMBLY CAPABILITY BY MATCHING WITH MATING PART

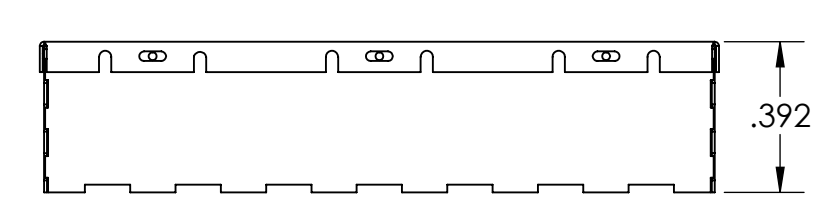
REV.		DESCRIPTION	REVISIONS		CHANGED BY	CHANGE DATE	APPROVED BY	APPROVED DATE
A1		PRODUCTION RELEASE						



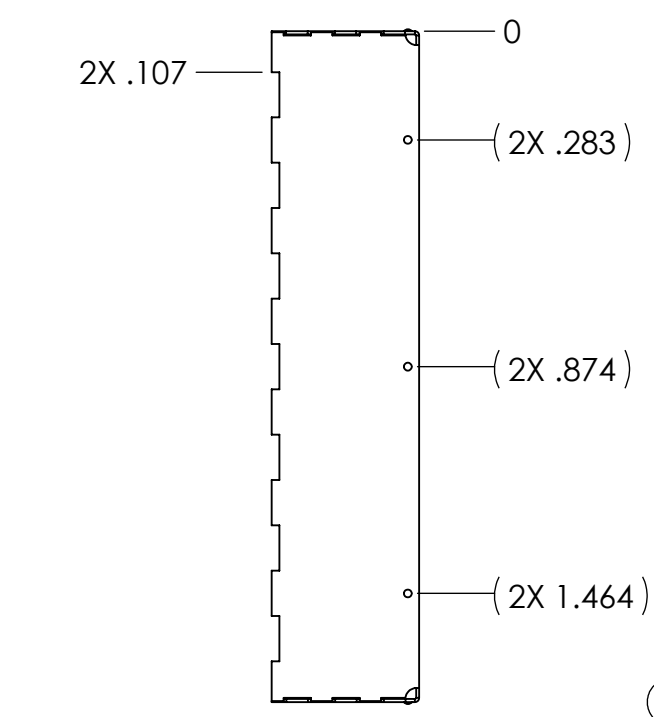
FORMED COVER



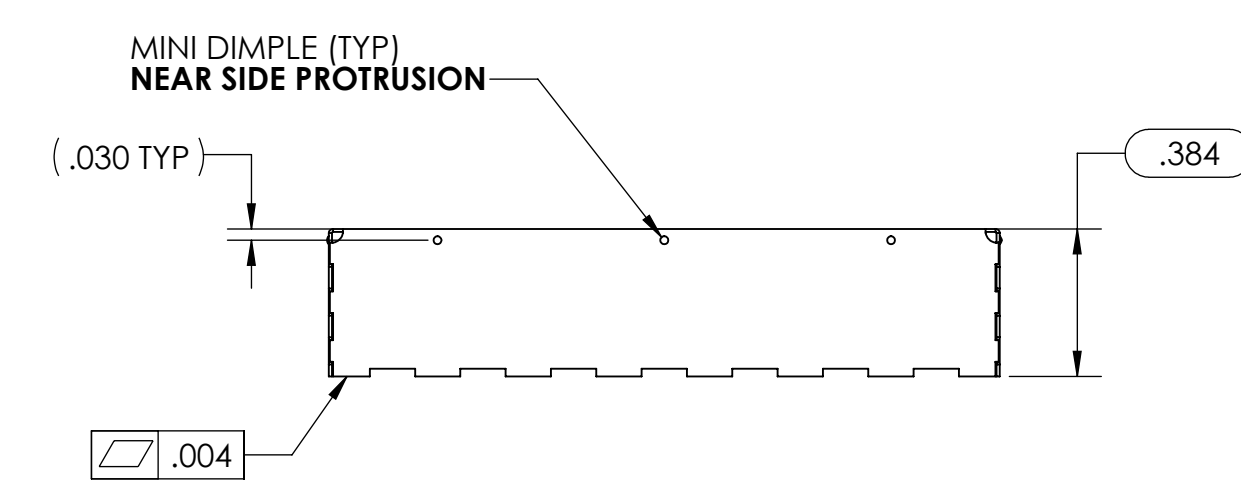
COVER BLANK



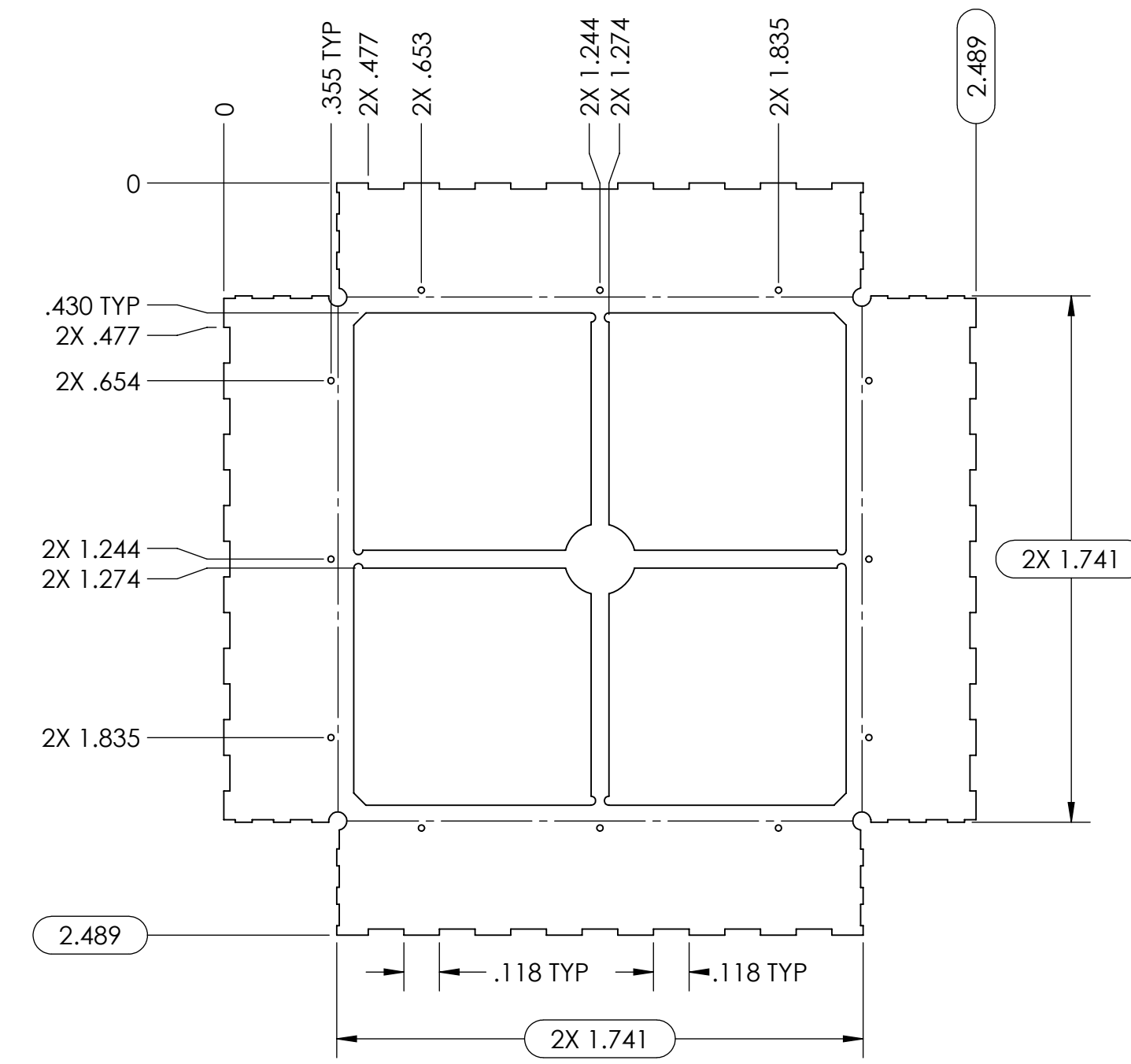
ASSEMBLY



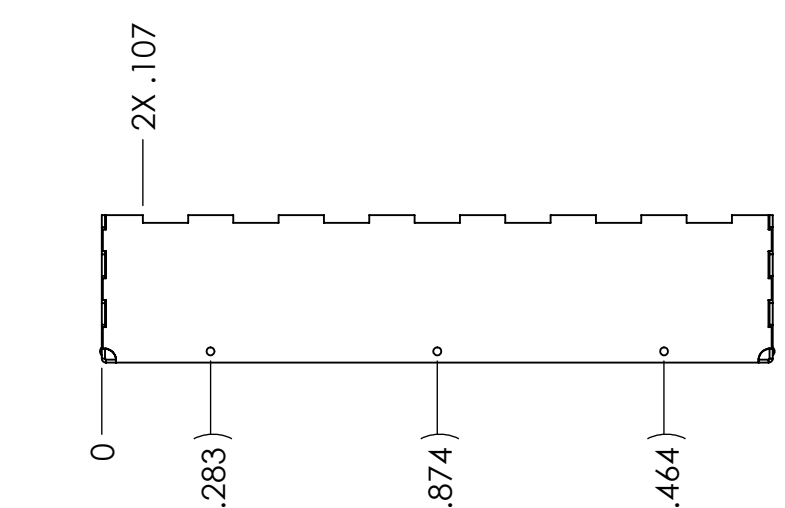
FORMED FRAME



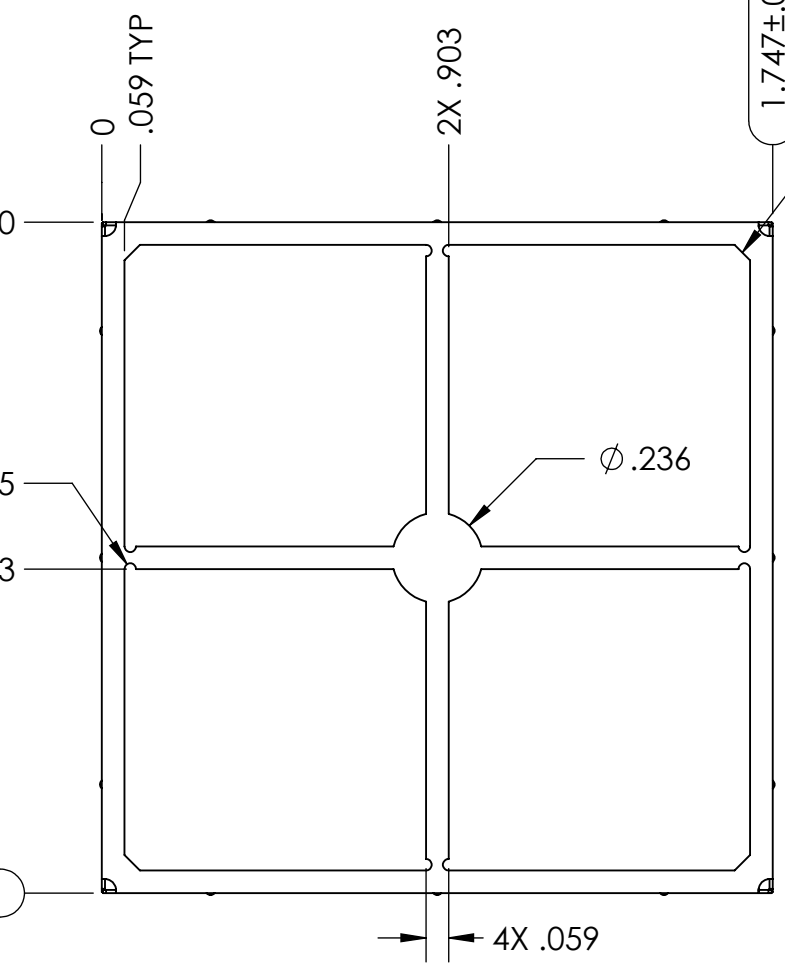
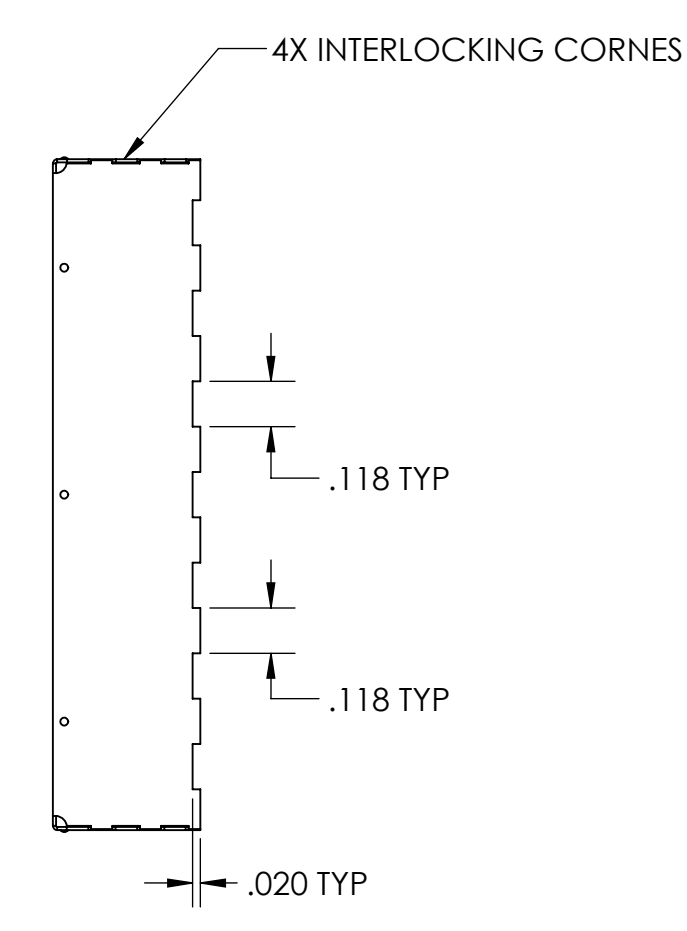
FORMED FRAME



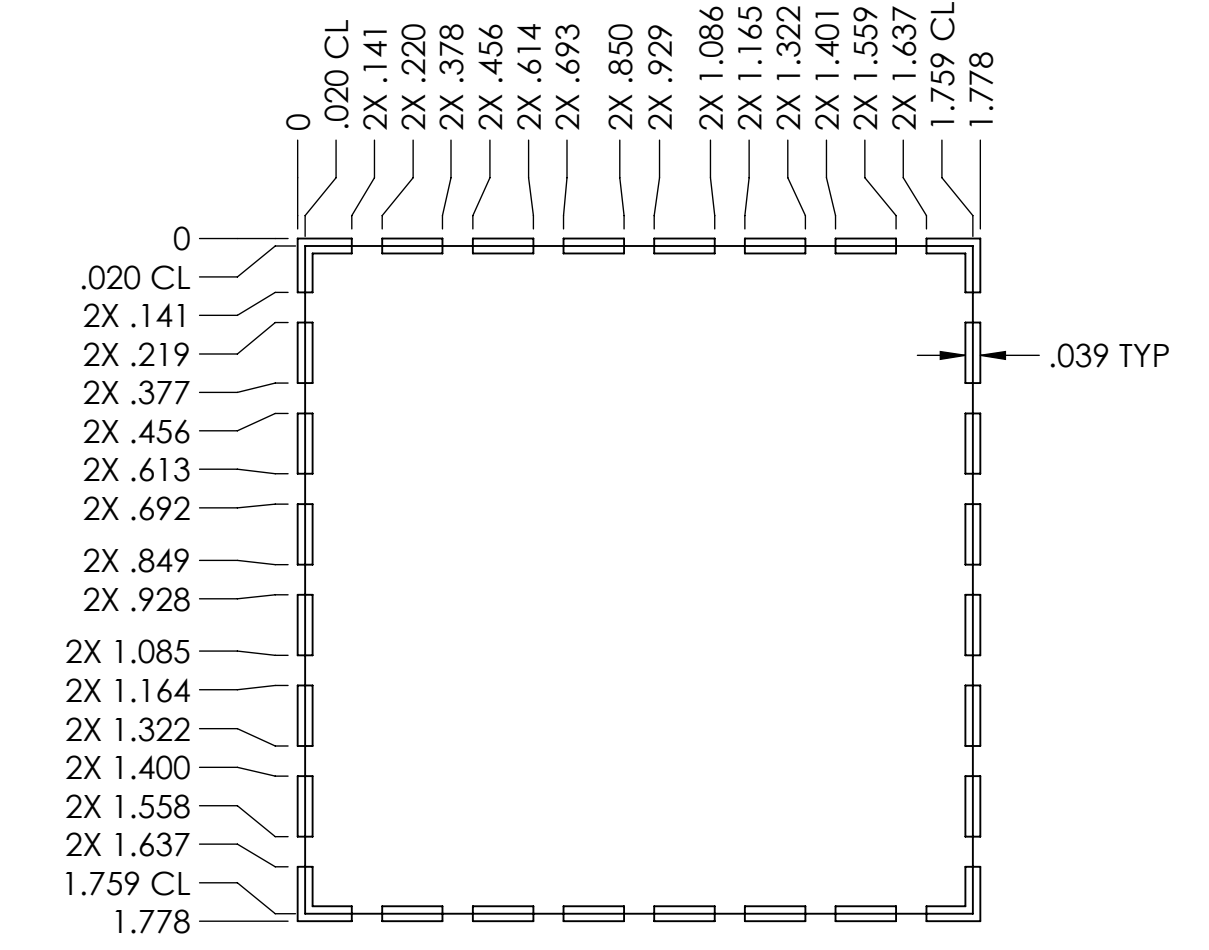
FRAME BLANK



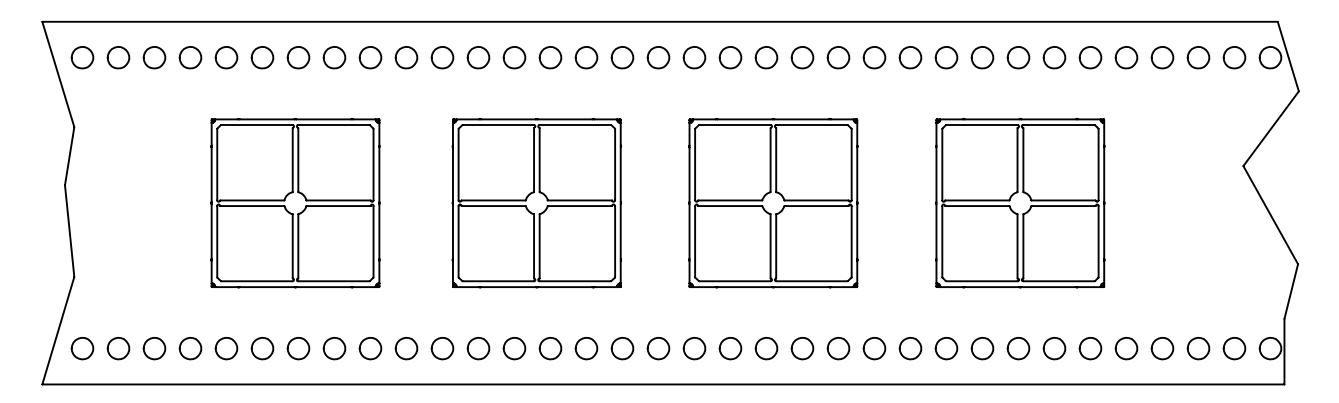
FRAME BLANK



FRAME BLANK

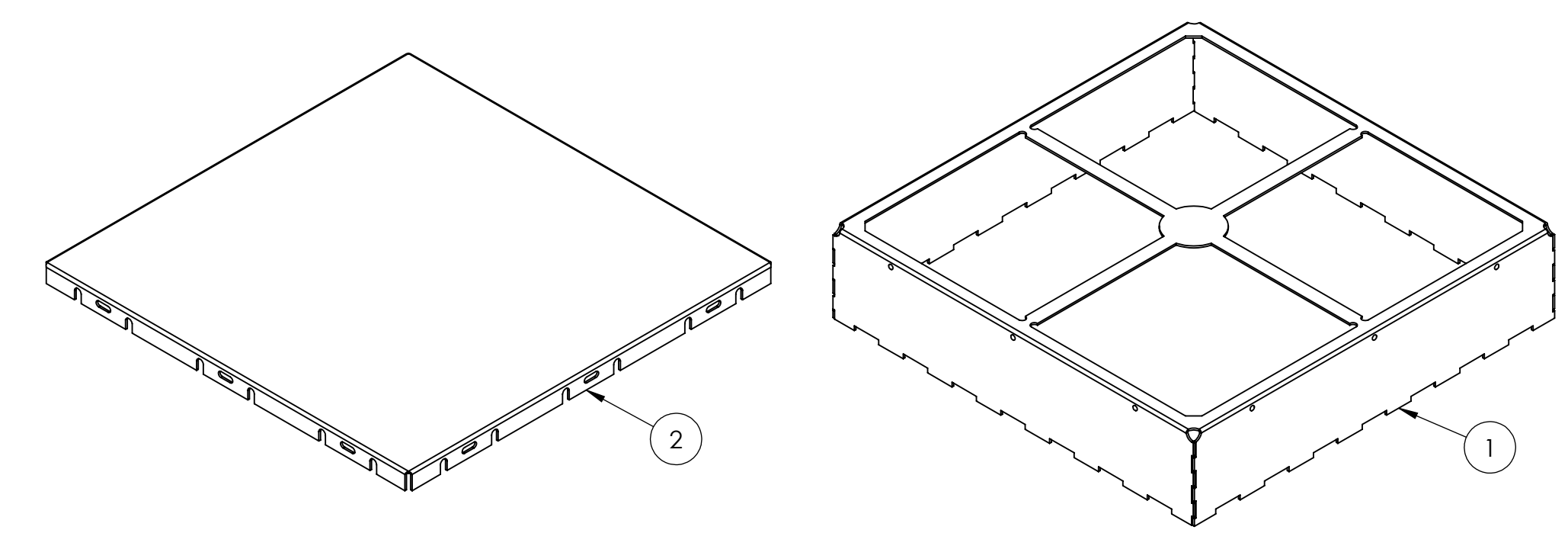


TRACE PATTERN



CARRIER TAPE

CARRIER TAPE SPECIFICATIONS						
PART NUMBER	DESCRIPTION	OVERALL DIMENSIONS	OVERALL HEIGHT	CARRIER TAPE WIDTH	CARRIER TAPE PITCH	PARTS PER REEL
SMS-407F	FRAME	1.747 X 1.747 (44.37 X 44.37)	.384 (9.75)	72 mm	56 mm	120
SMS-407C	COVER	1.769 X 1.769 (44.93 X 44.93)	.079 (2.01)	N/A	N/A	BULK PACK



ITEM NO.	PART NUMBER	DESCRIPTION	QTY.
1	SMS-407F	FRAME	1
2	SMS-407C	COVER	1

UNLESS OTHERWISE SPECIFIED:
 - ALL DIMENSIONS ARE IN INCHES
 - PART SHALL BE FREE OF BURRS AND SHARP EDGES
 - ALL DIMENSIONS SHOWN APPLY AFTER PLATING AND COATINGS
 - ROHS COMPLIANT PER EU DIRECTIVE 2011/65/EU
 - POI = POINT OF INTERSECTION

THIRD ANGLE PROJECTION

ANGLES +/- 2°

SCALE: 2:1

DATE: 2015-04-16

APPROVED BY:

THIS DOCUMENT CONTAINS PROPRIETARY INFORMATION OWNED BY LEADTECH. IT IS TO BE USED FOR PRIVATE EXPENSE AND MAY NOT BE REPRODUCED, COPIED, OR DISCLOSED IN WHOLE OR IN PART FOR ANY PURPOSE INCLUDING DESIGN, MANUFACTURE OR PROCUREMENT WITHOUT THE WRITTEN PERMISSION OF LEADTECH. LEADTECH DOES NOT GUARANTEE OR WARRANT THE PERFORMANCE CHARACTERISTICS.

MATERIAL: MATTE .008" PRE TIN STEEL

SIZE: D

DWG. NO.: SMS-407-MFG

REV: A1

CAGE CODE: 4J674

SHEET: 1 OF 1

LEADER TECH
 a HEICO company
 The Leading Edge in PIV Mounting Technology

TITLE: SURFACE MOUNT SHIELD