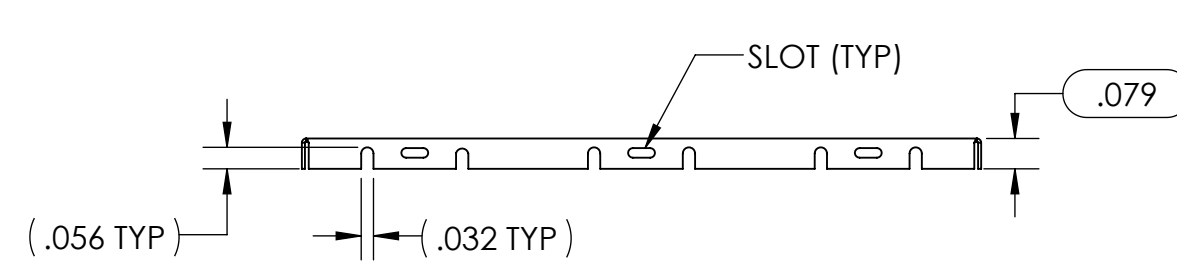
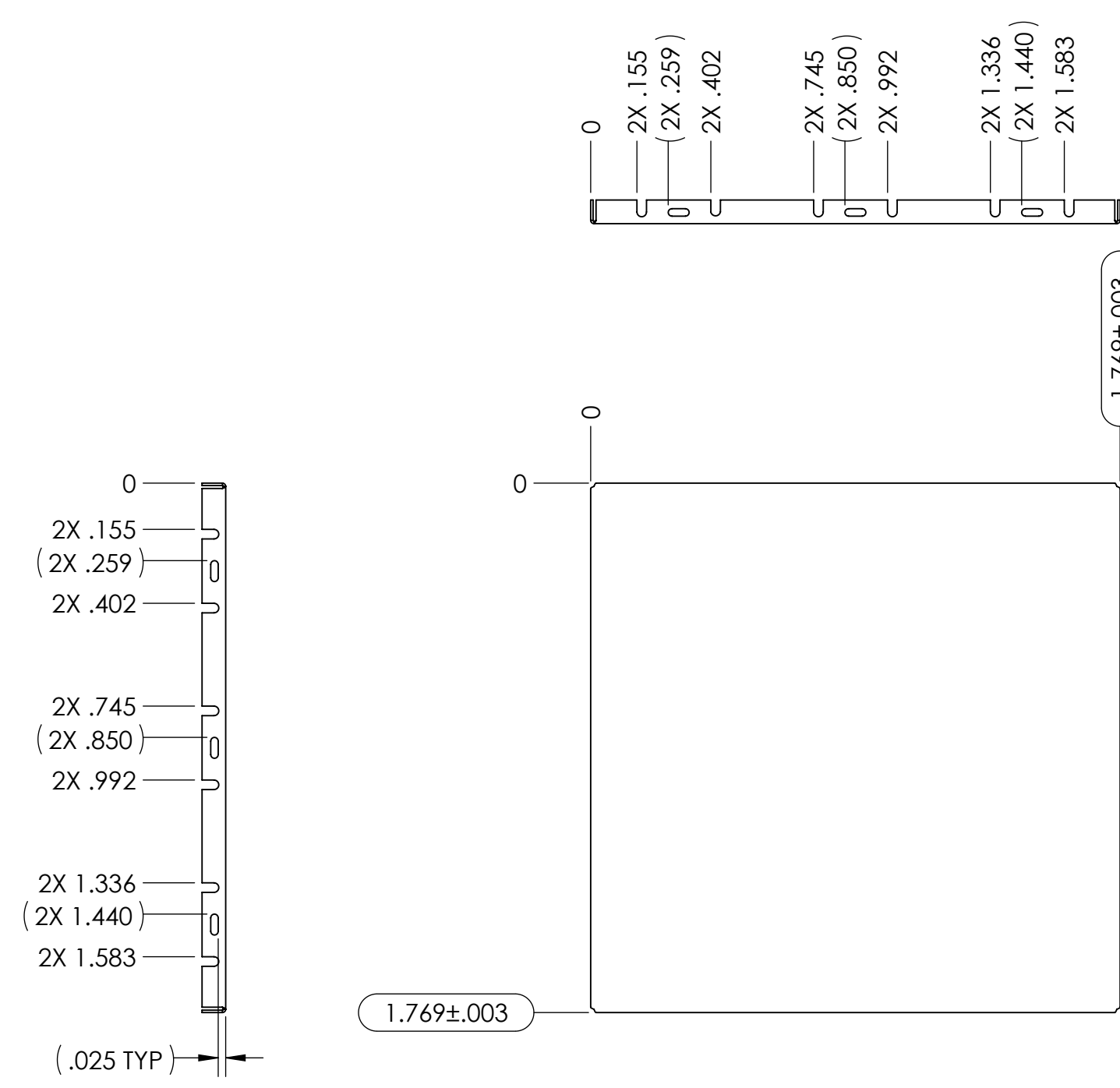


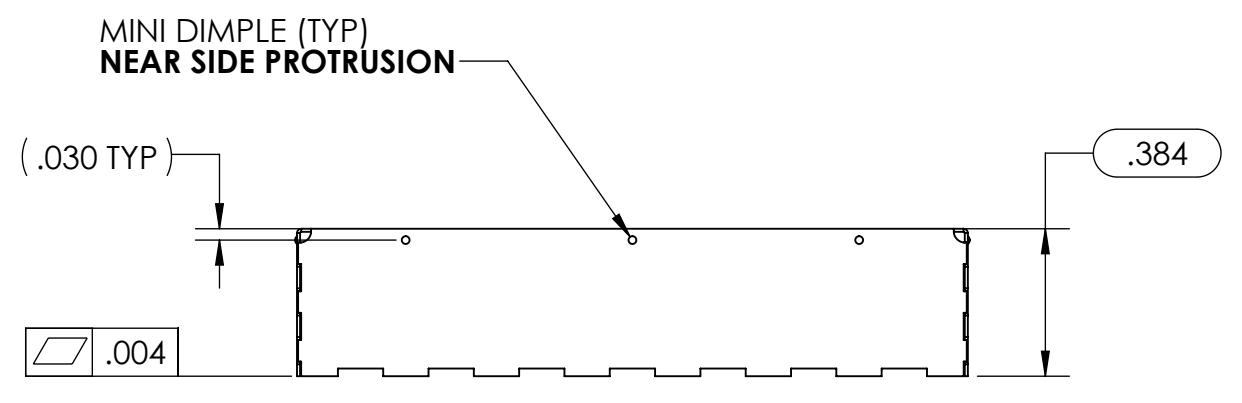
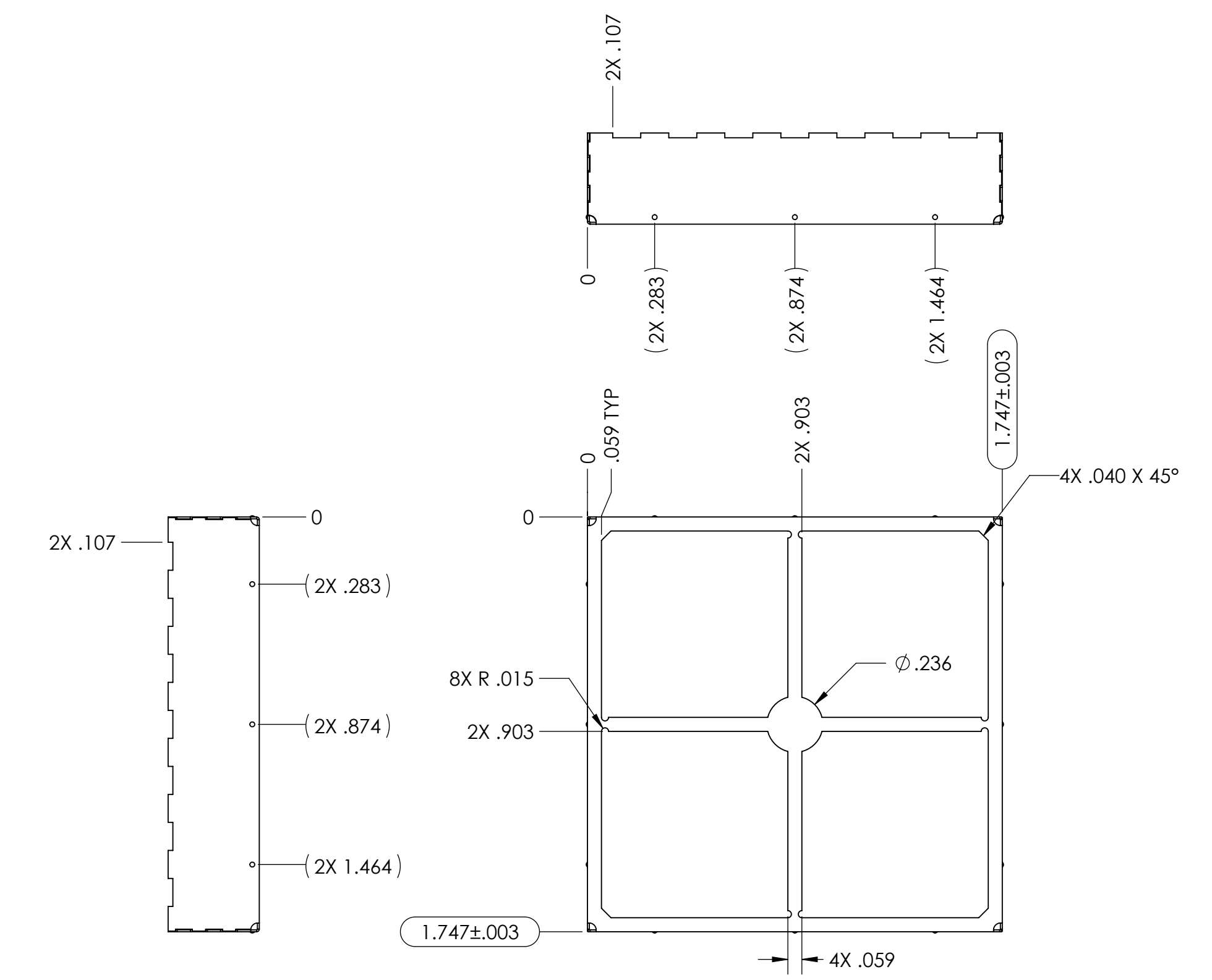
NOTES:

- ASSURE ASSEMBLY CAPABILITY BY MATCHING WITH MATING PART

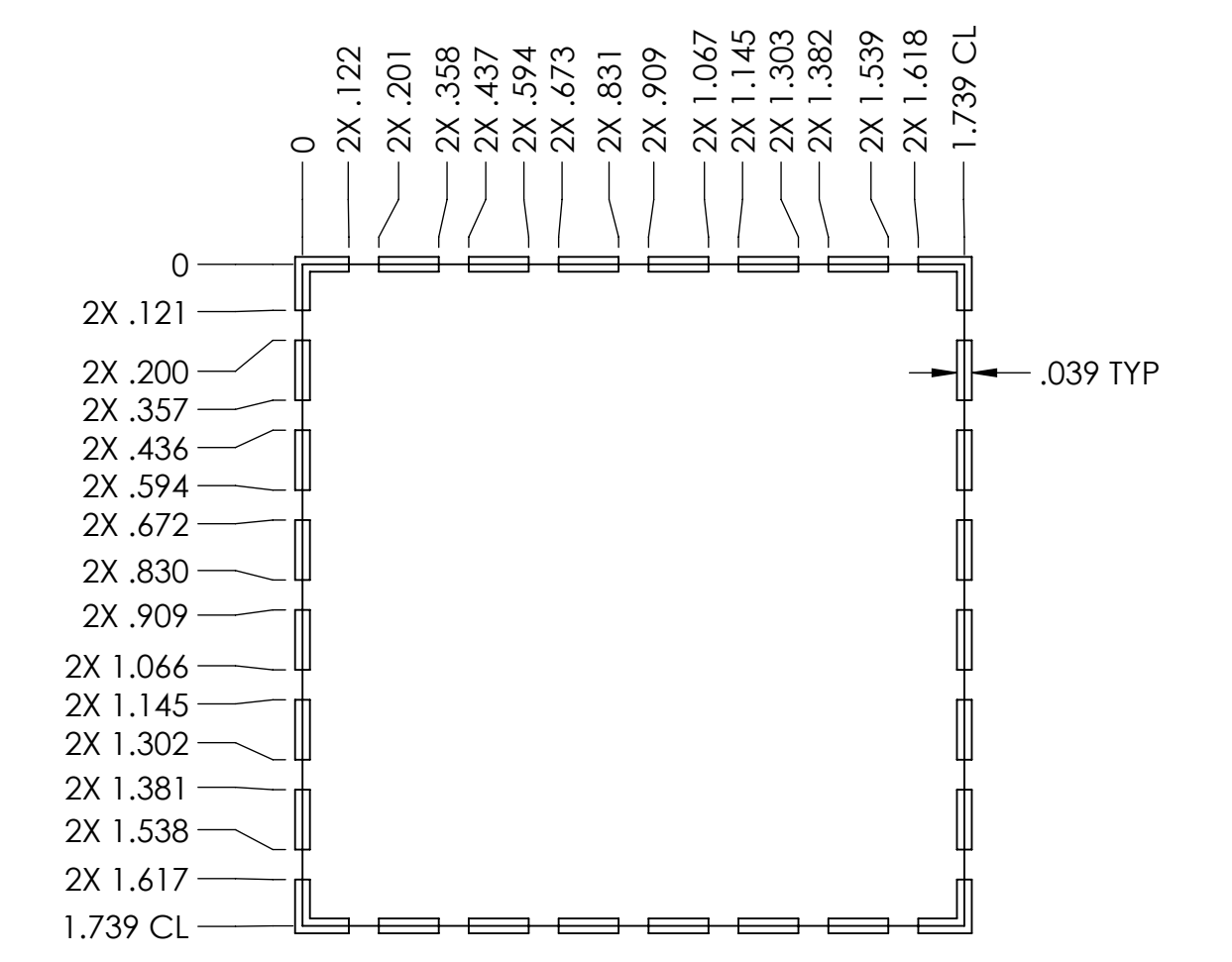
REVISIONS			
REV.	DESCRIPTION	CHANGED BY	APPROVED BY
A1	PRODUCTION RELEASE		
B1	PARTS PER REEL QUANTITY MODIFIED	JG 2018-04-18	



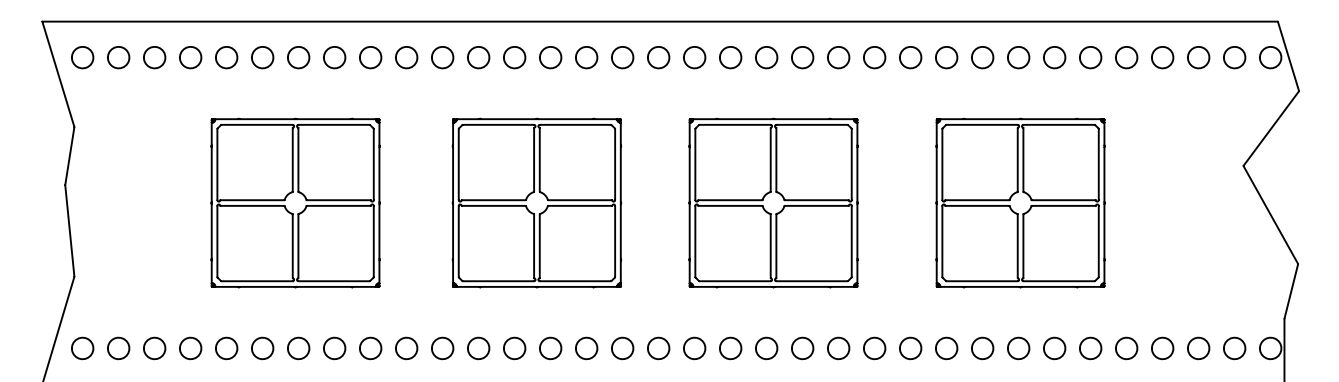
FORMED COVER



FORMED FRAME

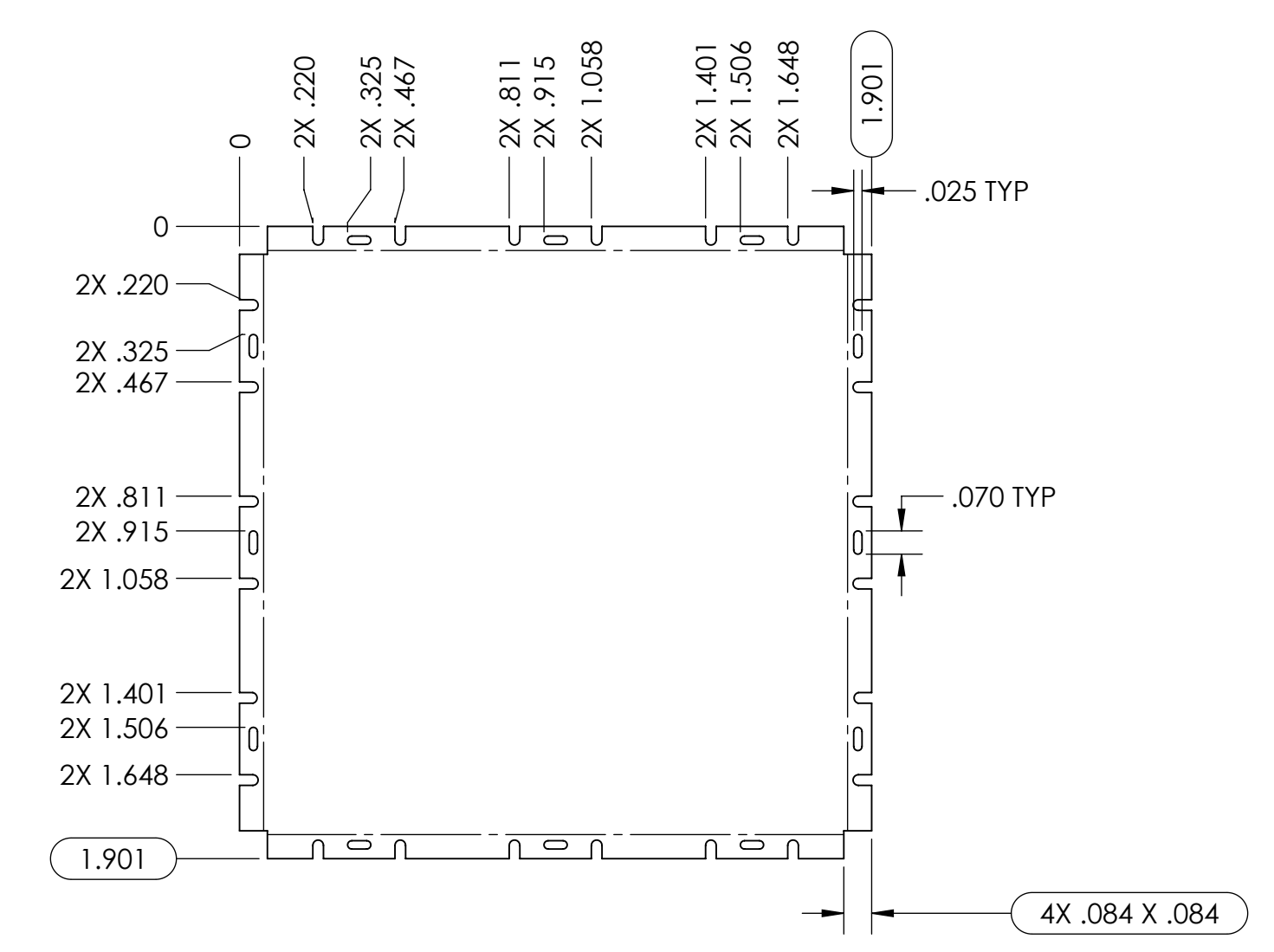


TRACE PATTERN

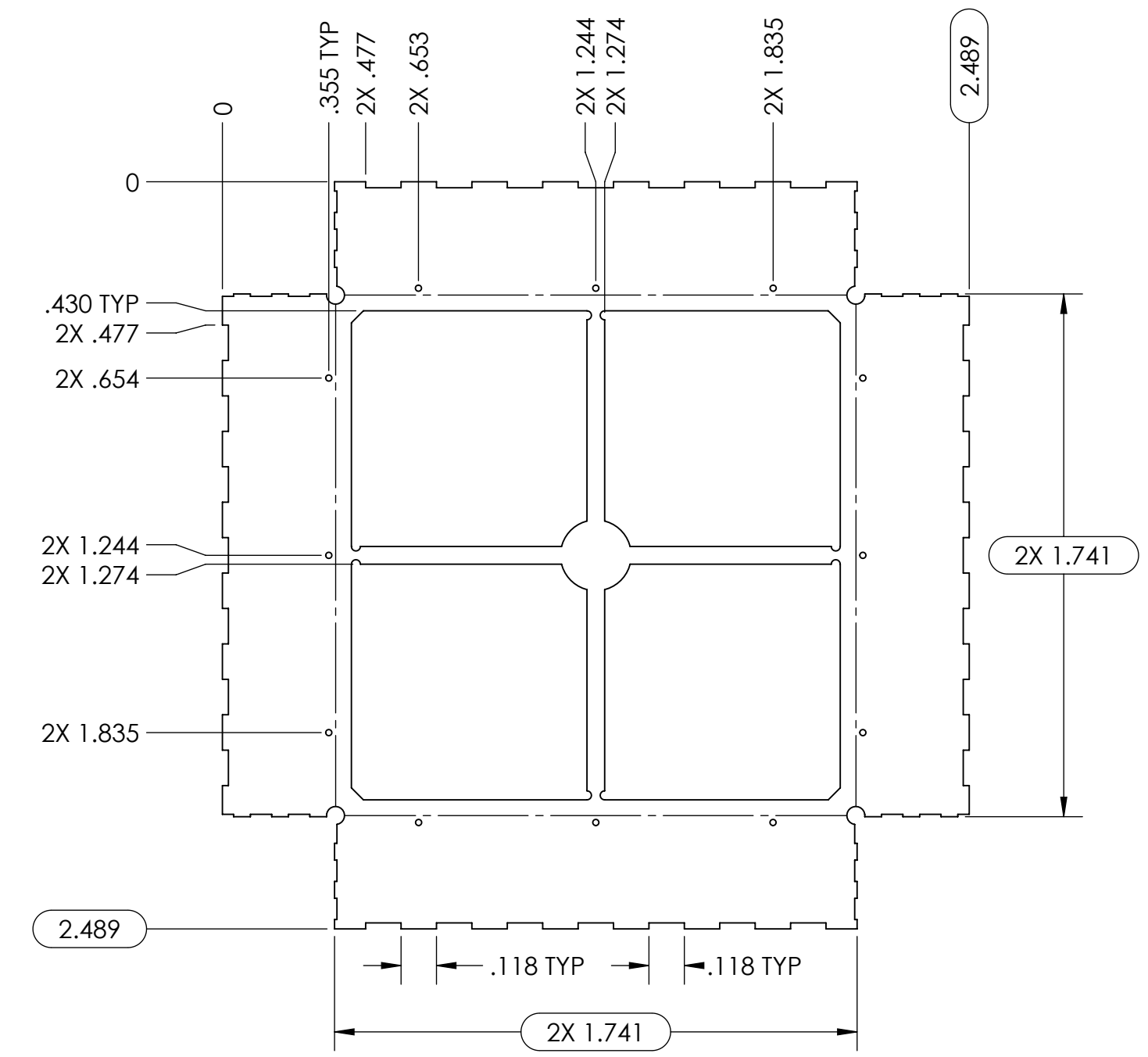


CARRIER TAPE

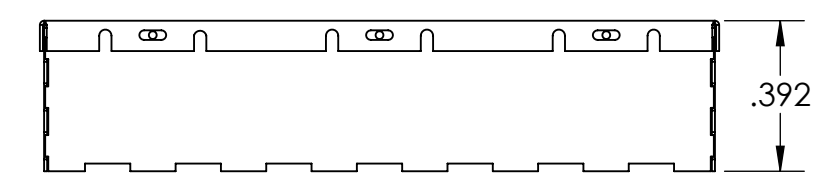
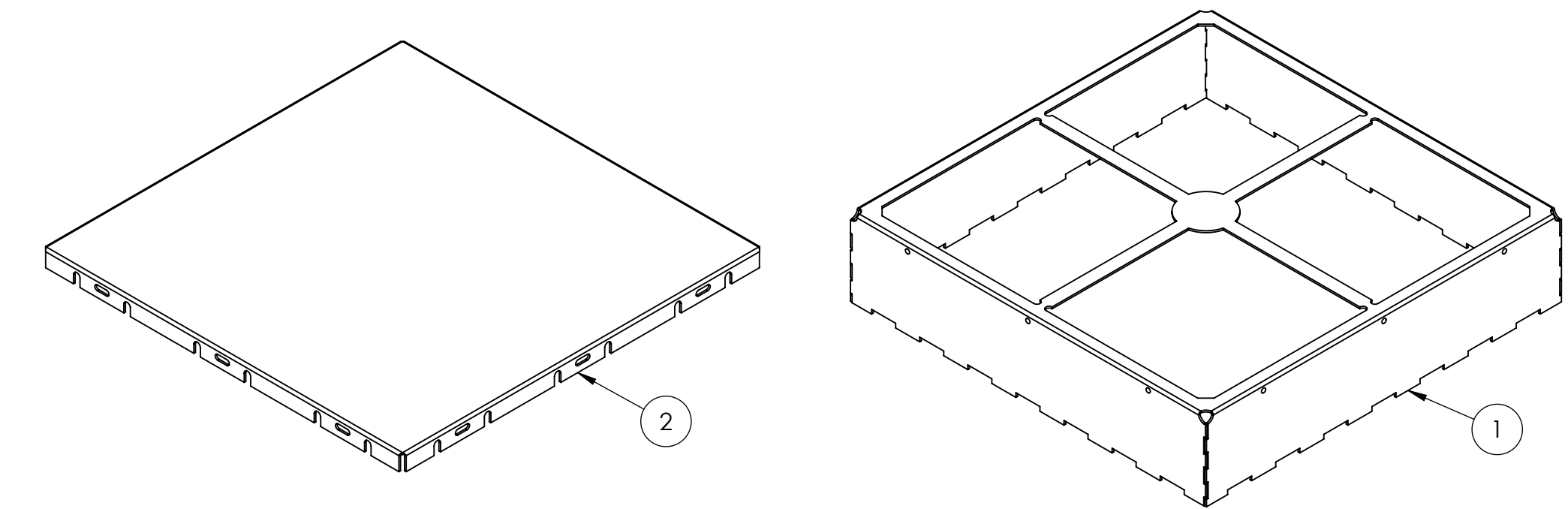
CARRIER TAPE SPECIFICATIONS						
PART NUMBER	DESCRIPTION	OVERALL DIMENSIONS	OVERALL HEIGHT	CARRIER TAPE WIDTH	CARRIER TAPE PITCH	PARTS PER REEL
SMS-407-N-F	FRAME	1.747 X 1.747 (44.37 X 44.37)	.384 (9.75)	72 mm	56 mm	120/B1
SMS-407-N-C	COVER	1.769 X 1.769 (44.93 X 44.93)	.079 (2.01)	N/A	N/A	BULK PACK



COVER BLANK



FRAME BLANK



ASSEMBLY

ITEM NO.	PART NUMBER	DESCRIPTION	QTY.
1	SMS-407-N-F	FRAME	1
2	SMS-407-N-C	COVER	1

UNLESS OTHERWISE SPECIFIED:
 - ALL DIMENSIONS ARE IN INCHES
 - PART SHALL BE FREE OF BURRS AND SHARP EDGES
 - ALL DIMENSIONS SHOWN APPLY AFTER PLATING AND COATINGS
 - ROHS COMPLIANT PER EU DIRECTIVE 2011/65/EU
 - POI = POINT OF INTERSECTION

THIRD ANGLE PROJECTION

SCALE: .XXX +/- .005 .XX +/- .010 .X +/- .020 ANGLES +/- .2°

DRAWN BY: ACS 2015-04-17 APPROVED BY: ND 2015-04-17

FRS: N/A
 MATERIAL: 0.008" C77000 H02 (ALLOY 770)

THIS DOCUMENT CONTAINS PROPRIETARY INFORMATION OWNED BY LEADTECH OR DEVELOPED AT ITS OWN PRIVATE EXPENSE AND MAY NOT BE USED, DUPLICATED OR DISCLOSED IN WHOLE OR IN PART FOR ANY PURPOSE INCLUDING DESIGN, MANUFACTURE OR PROCUREMENT WITHOUT THE WRITTEN PERMISSION OF LEADTECH. LEADTECH DOES NOT GUARANTEE OR WARRANT THE PERFORMANCE CHARACTERISTICS.

LEADER TECH
 a HEICO company
 The Leading Edge in EMI Shielding Technology

TITLE: SURFACE MOUNT SHIELD

SIZE: D DWG. NO.: SMS-407-N-MFG REV: B1
 SCALE: 2:1 CAGE CODE: 4J674 SHEET: 1 OF 1