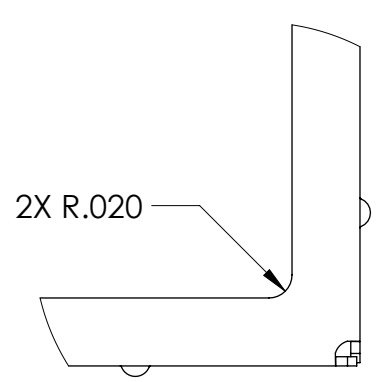
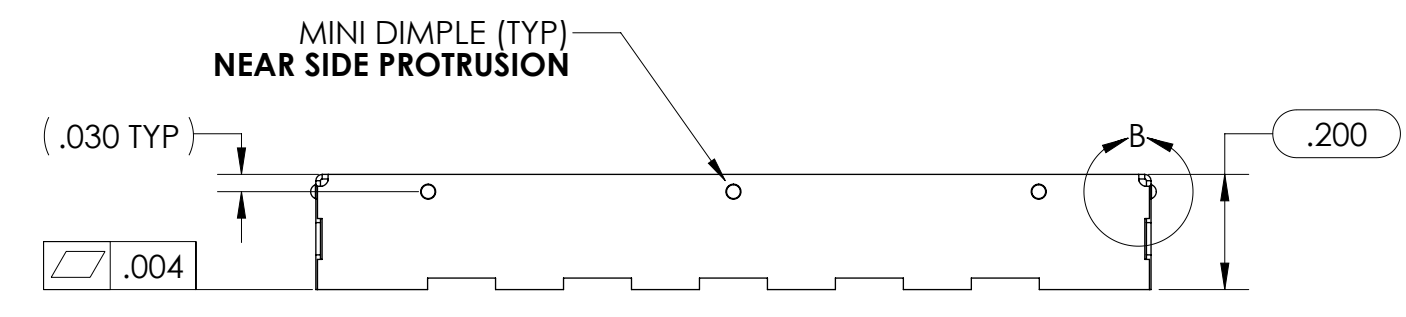
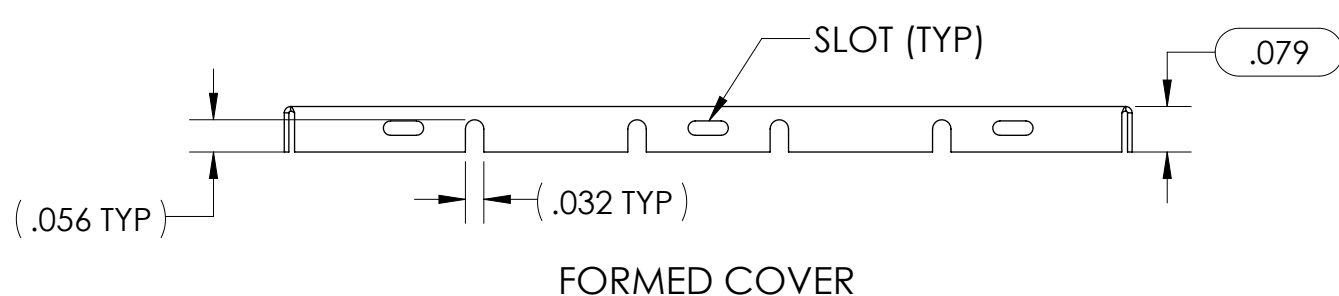
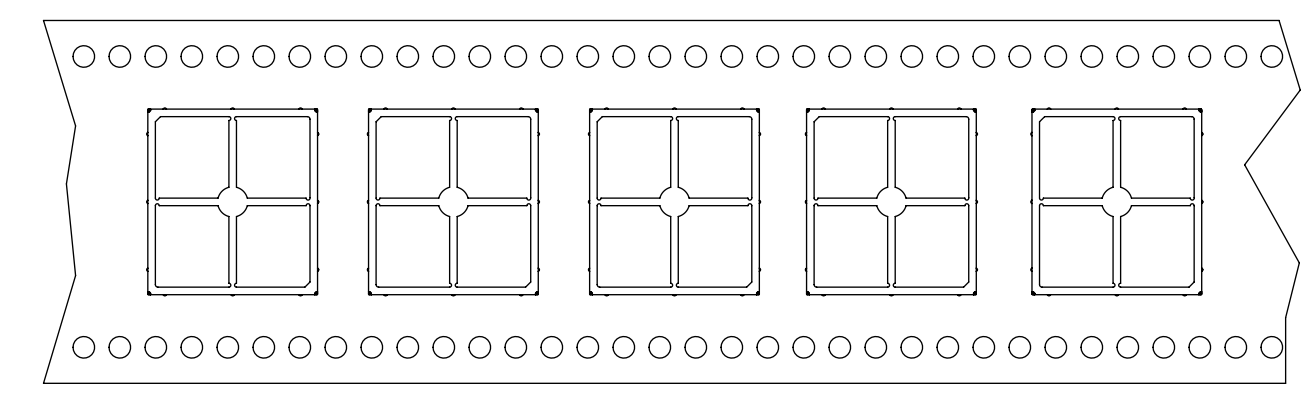
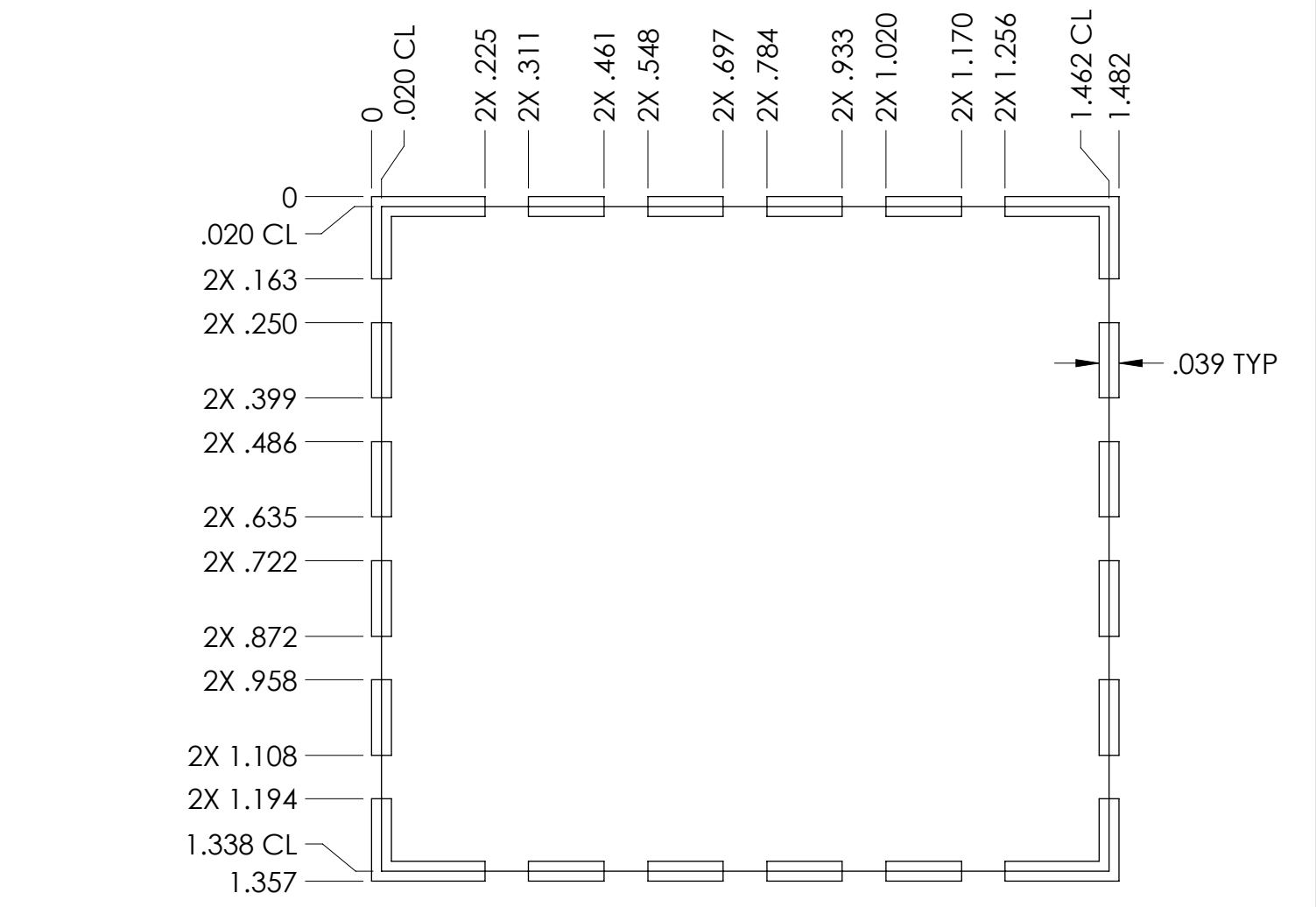
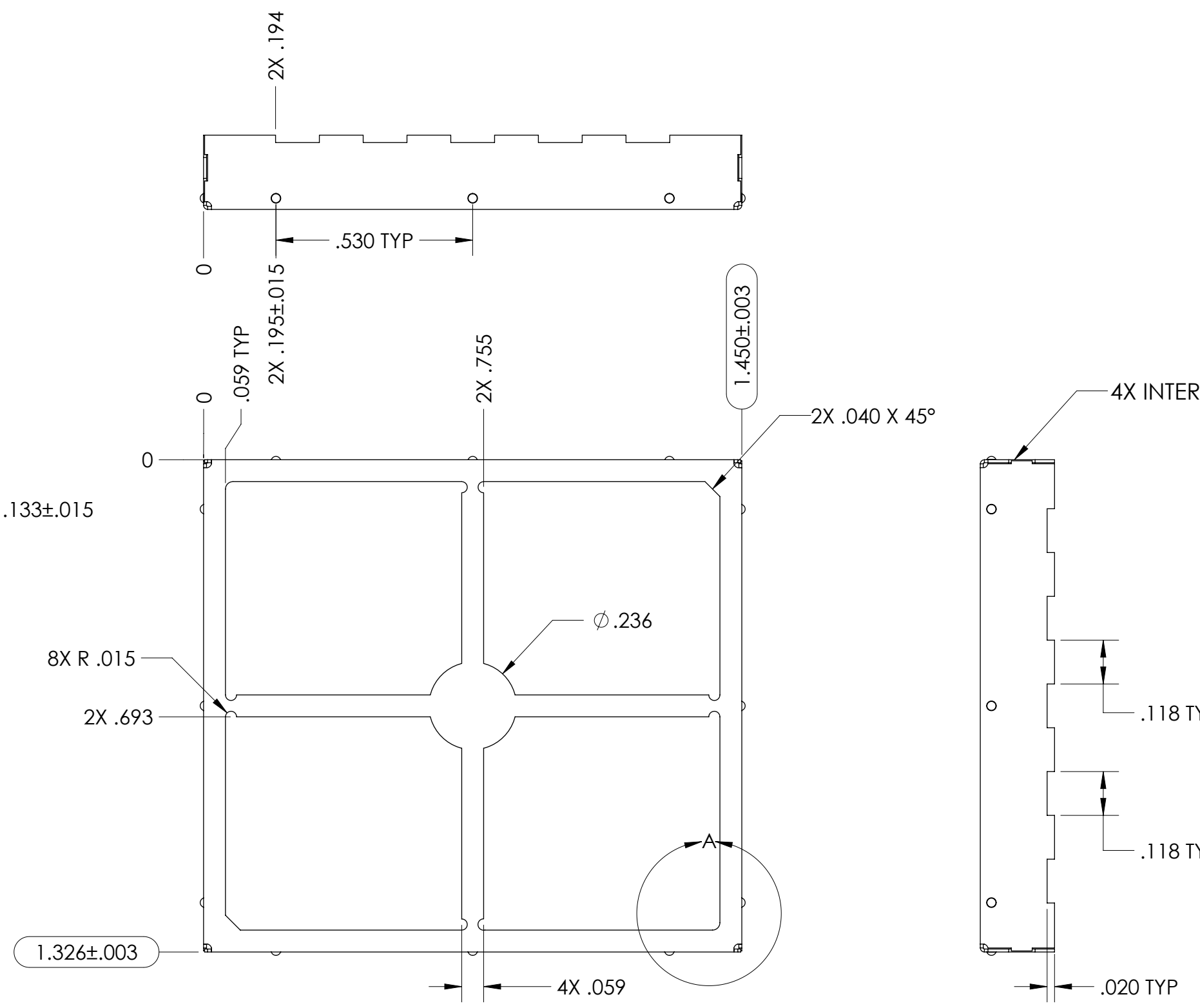
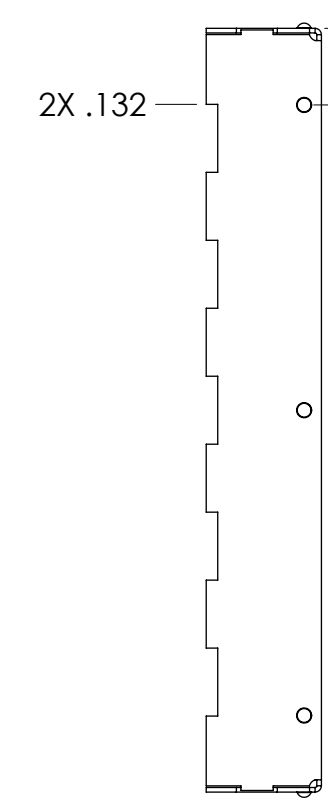
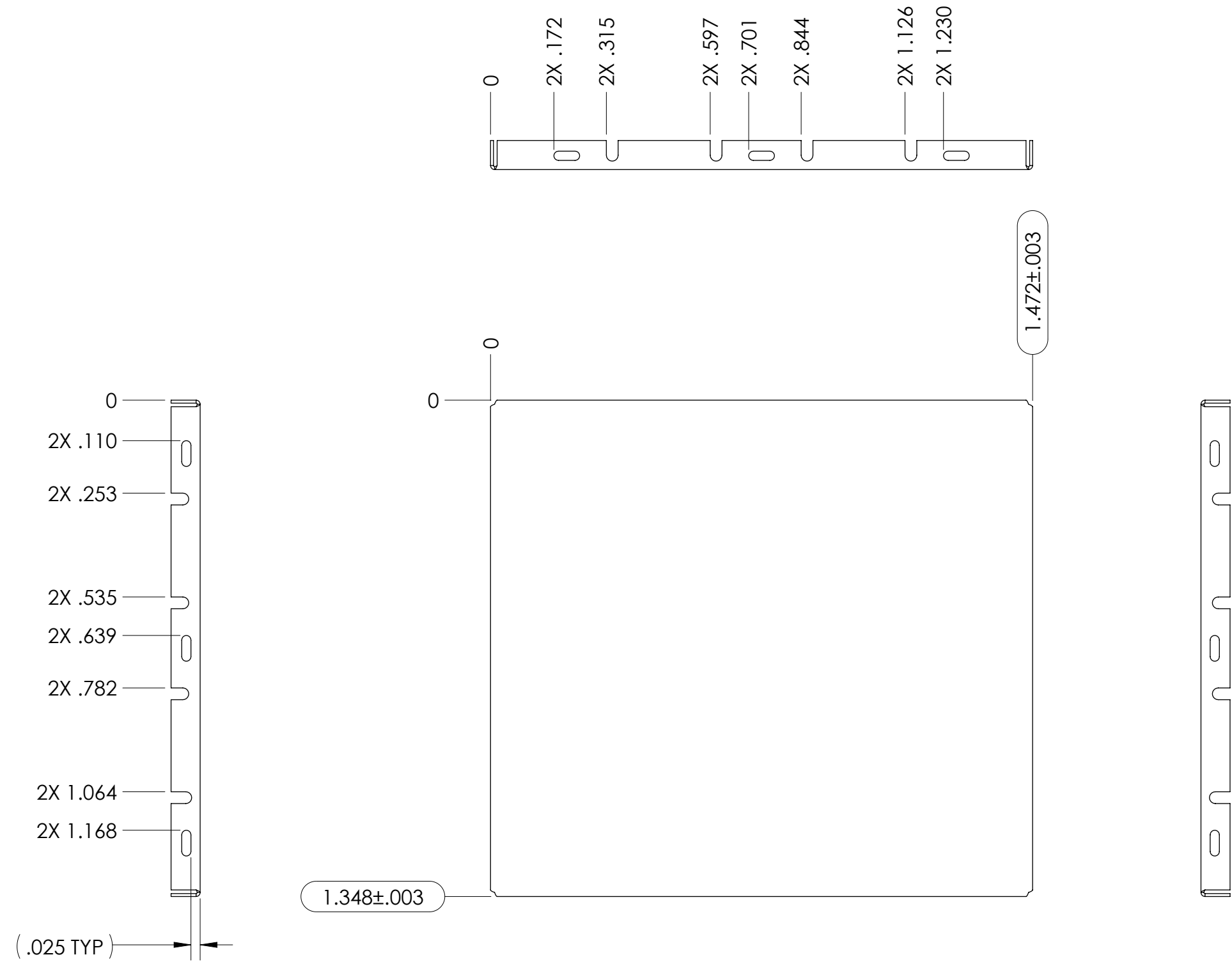
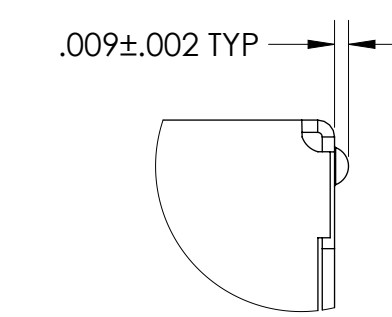
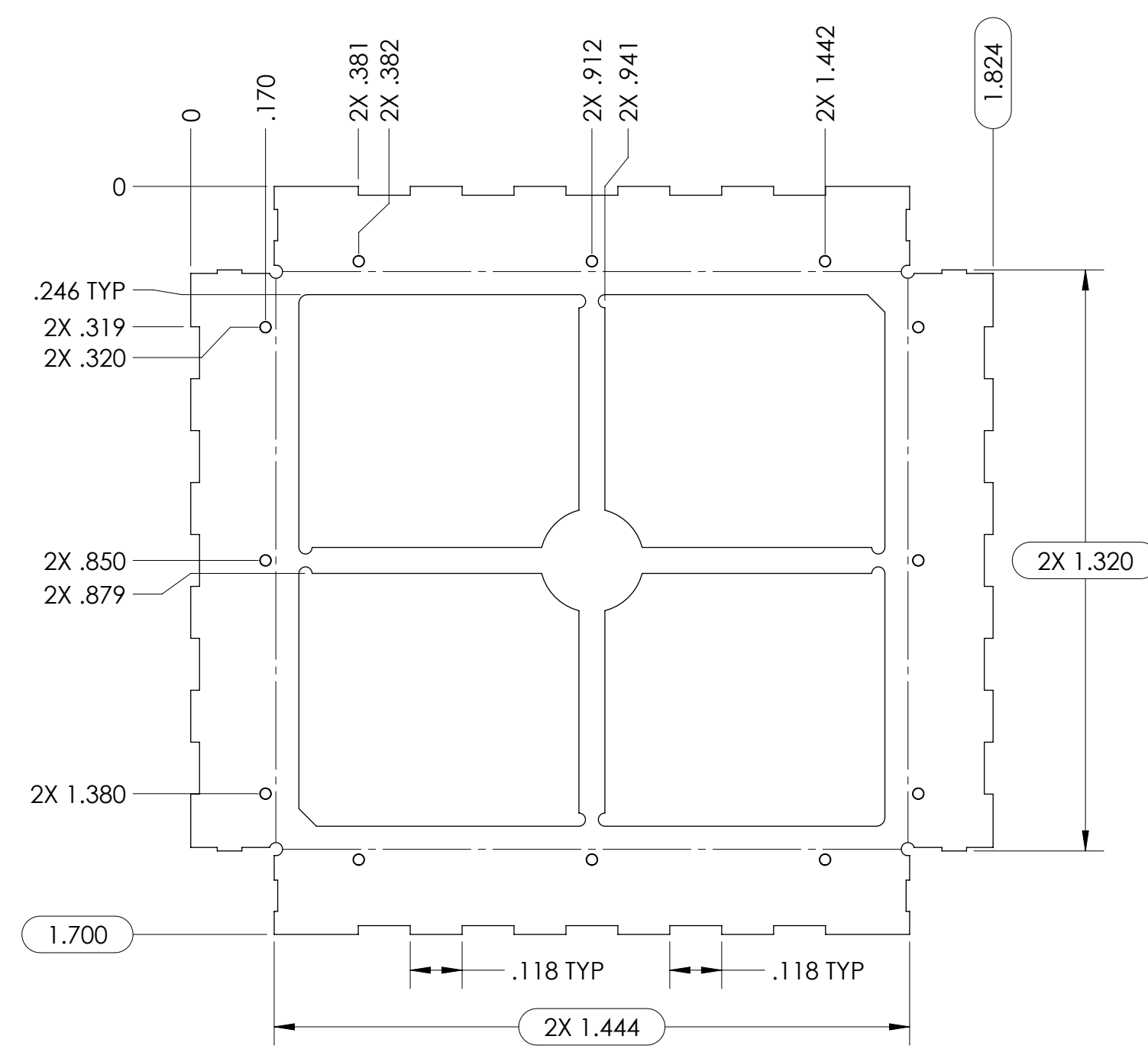
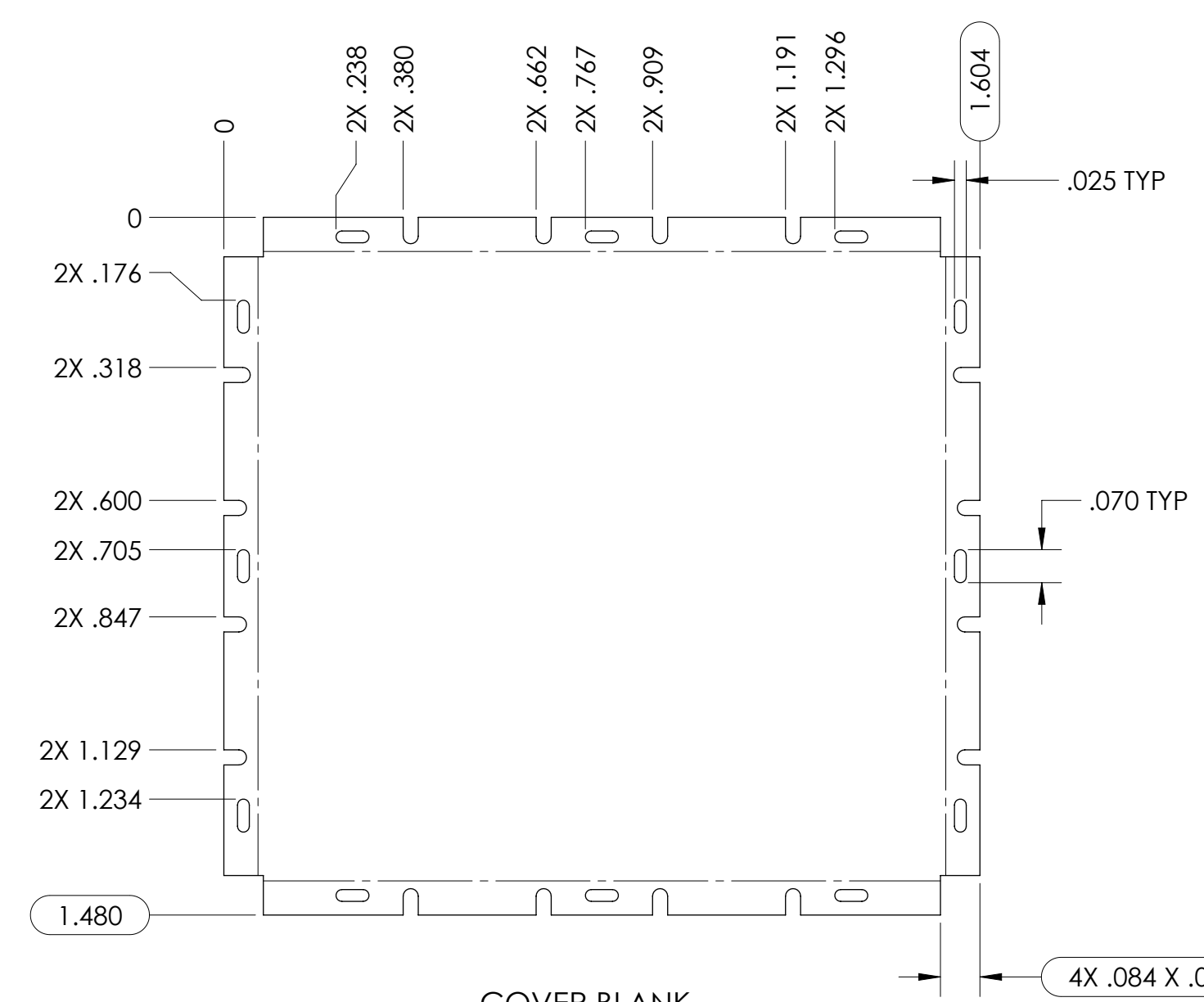


NOTES:
 1. ASSURE ASSEMBLY CAPABILITY BY MATCHING WITH MATING PART

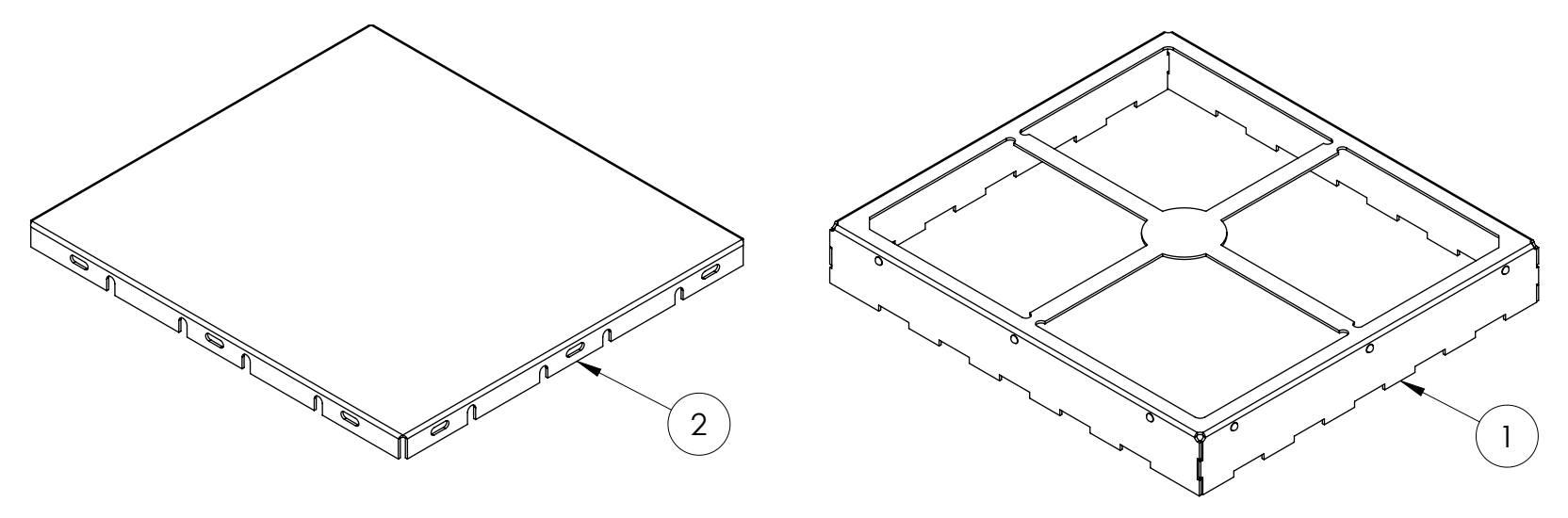
REVISIONS			
REV.	DESCRIPTION	CHANGED BY	APPROVED BY
A1	PRODUCTION RELEASE	-	-
B1	ADD DETAIL B, DIMPLE HEIGHT DIMENSION	SDH 2018-02-12	NB 2018-02-12
C1	PARTS PER REEL 260 WAS 300	SDH 2020-12-08	



DETAIL A
SCALE 6 : 1



DETAIL B
SCALE 8 : 1



CARRIER TAPE SPECIFICATIONS						
PART NUMBER	DESCRIPTION	OVERALL DIMENSIONS	OVERALL HEIGHT	CARRIER TAPE WIDTH	CARRIER TAPE PITCH	PARTS PER REEL
SMS-406-N-F	FRAME	1.450 X 1.326 (36.83 X 33.68)	.200 (5.08)	56 mm	40 mm	300
SMS-406-N-C	COVER	1.472 X 1.348 (37.39 X 34.24)	.079 (2.01)	N/A	N/A	BULK PACK

ITEM NO.	PART NUMBER	DESCRIPTION	QTY.
1	SMS-406-N-F	FRAME	1
2	SMS-406-N-C	COVER	1

UNLESS OTHERWISE SPECIFIED:
 - ALL DIMENSIONS ARE IN INCHES
 - PART SHALL BE FREE OF BURRS AND SHARP EDGES
 - ALL DIMENSIONS SHOWN APPLY AFTER PLATING AND COATINGS
 - ROHS COMPLIANT PER EU DIRECTIVE 2011/65/EU
 - POI = POINT OF INTERSECTION

THIRD ANGLE PROJECTION

ANGLES +/- 2°

APPROVED BY: ND 2012-05-12

DATE: 2015-04-16

SCALE: 2:1

CAGE CODE: 4J674

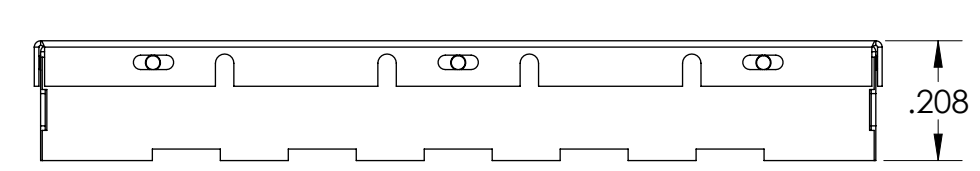
SHEET: 1 OF 1

LEADER TECH
 a HEICO company
 The Leading Edge in EMI Shielding Technology

TITLE: SURFACE MOUNT SHIELD

REV: C1

MATERIAL: 0.008" ALLOY 770, UNS C77000 PER ASTM B122, H02



ASSEMBLY