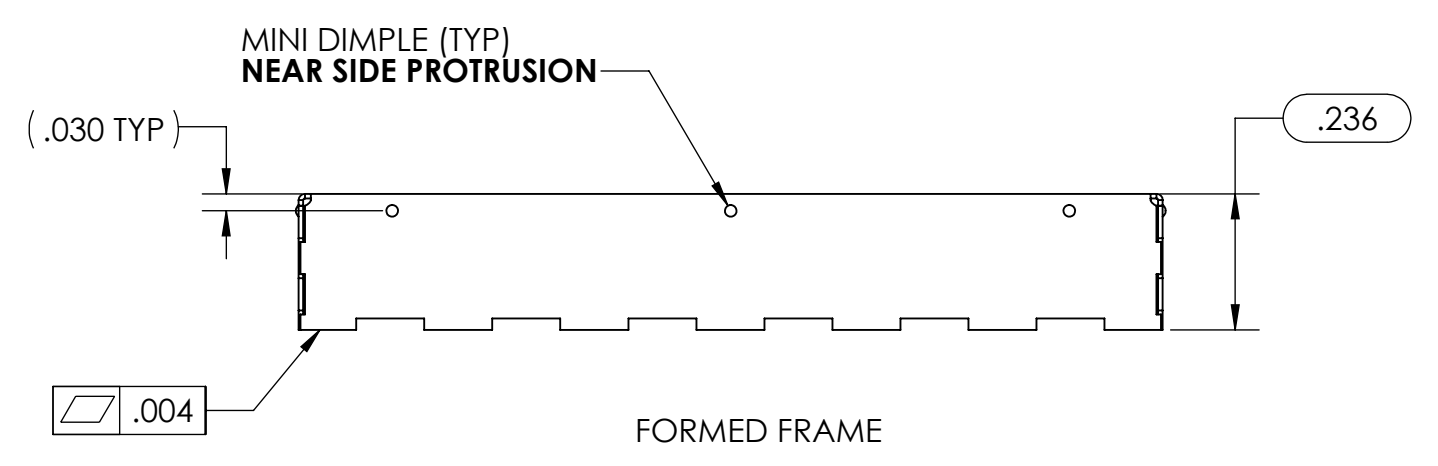
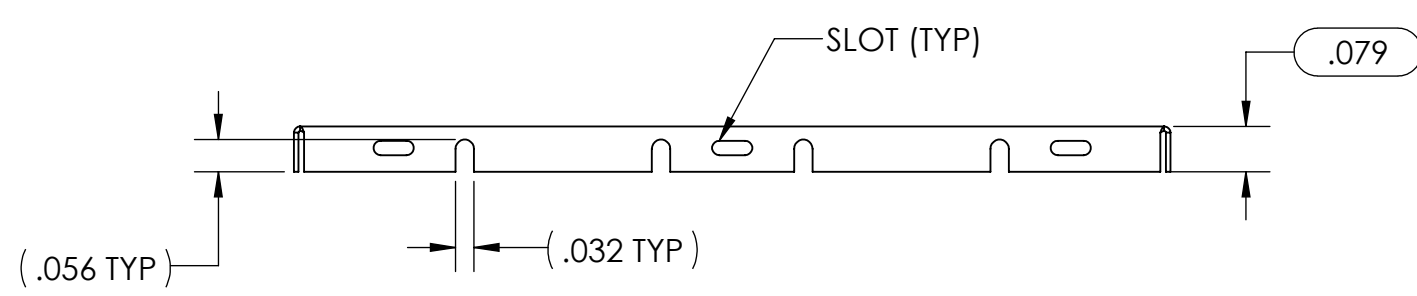
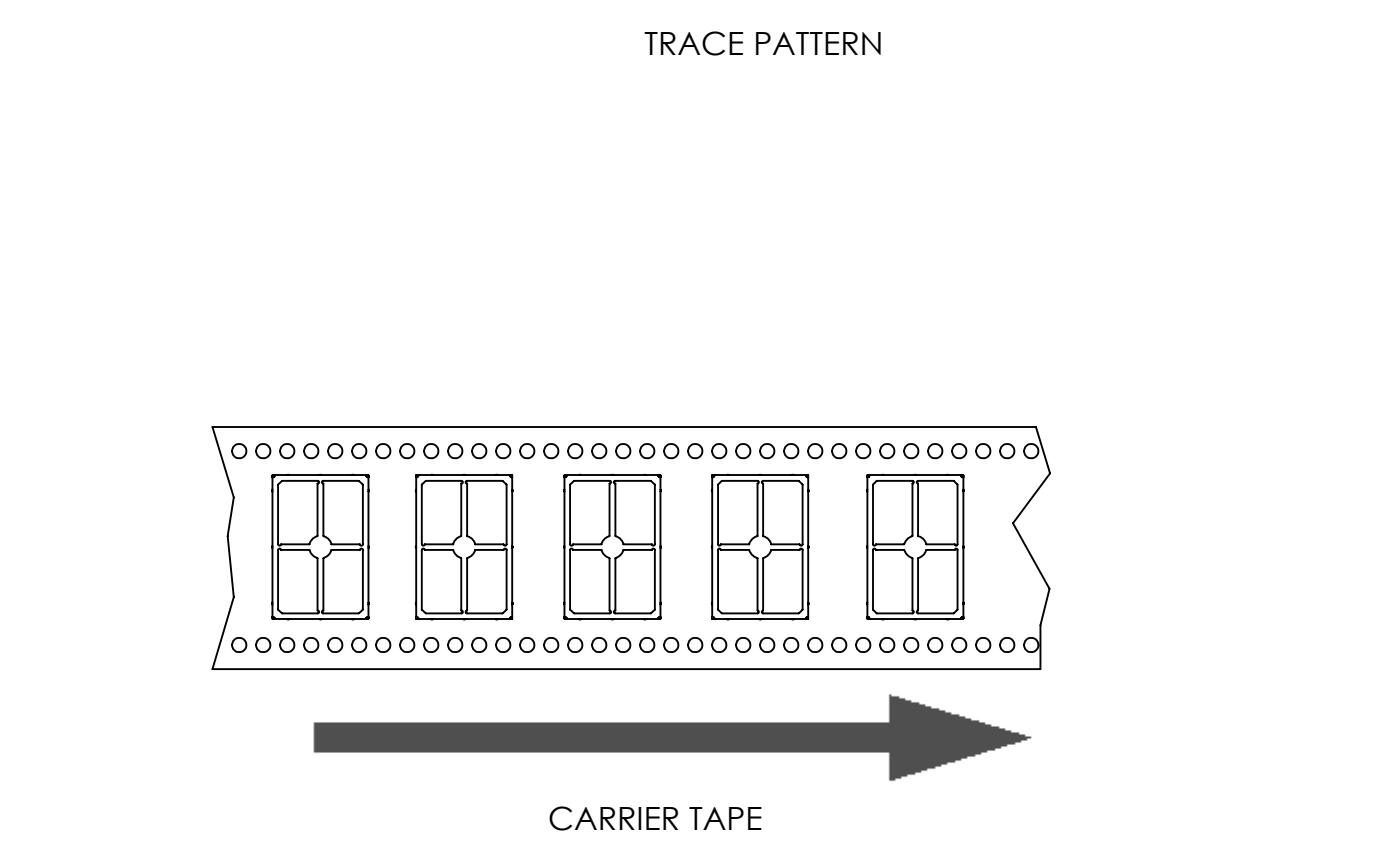
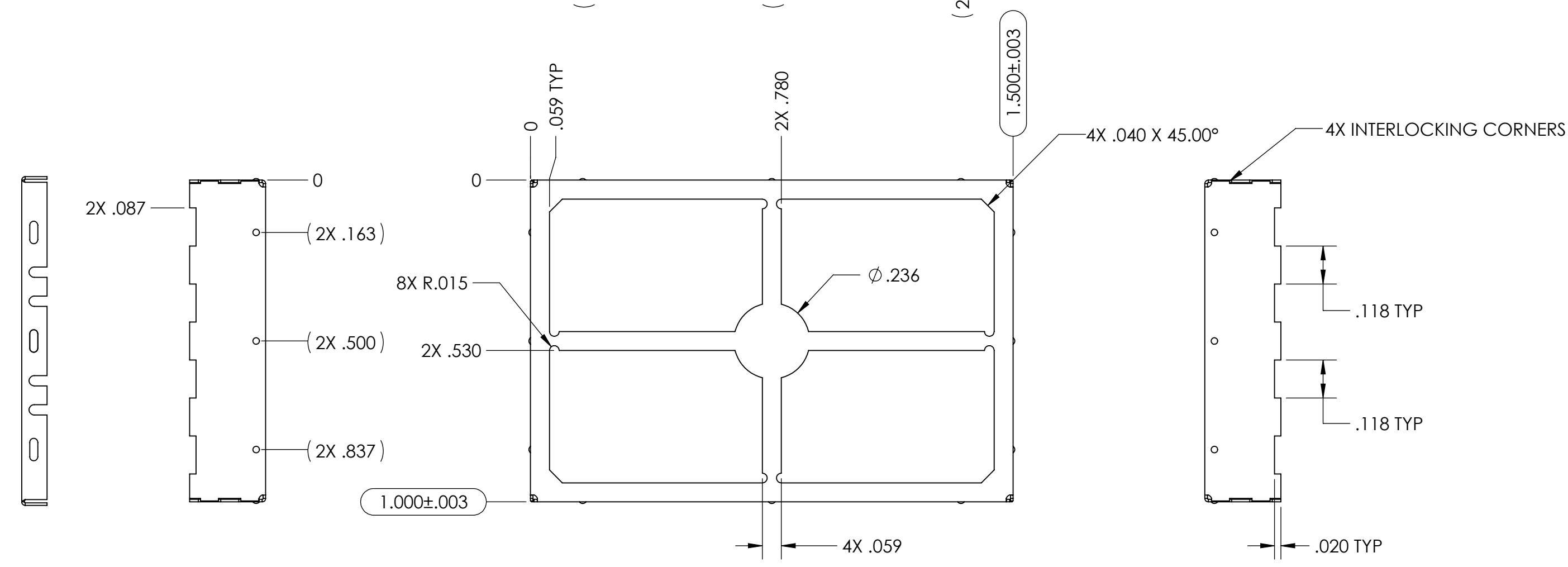
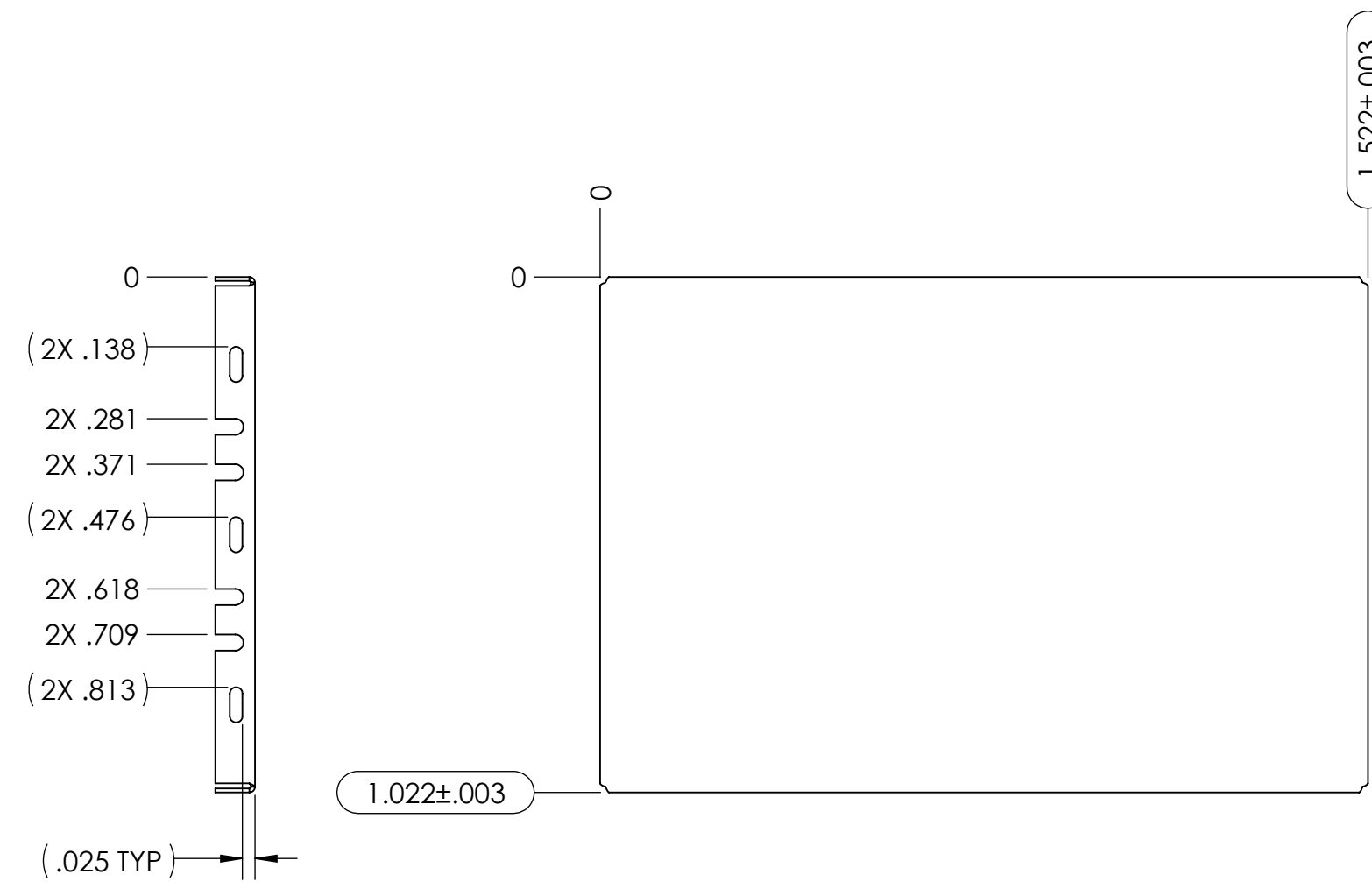
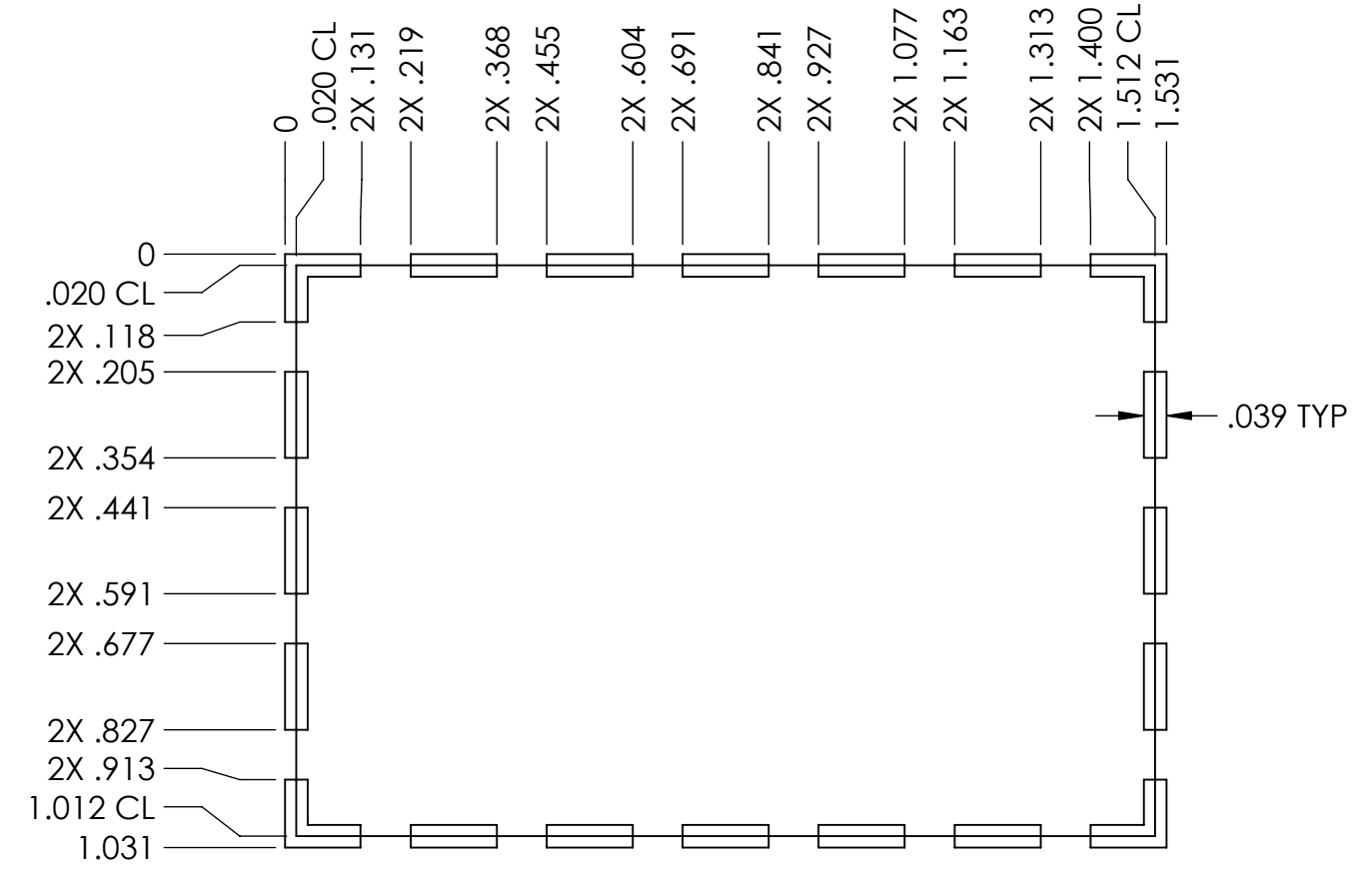
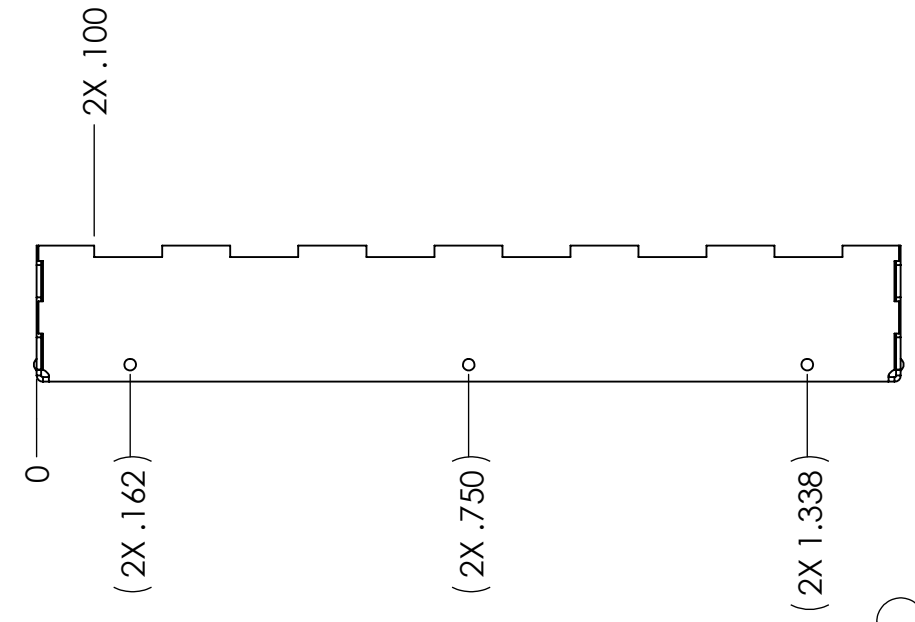
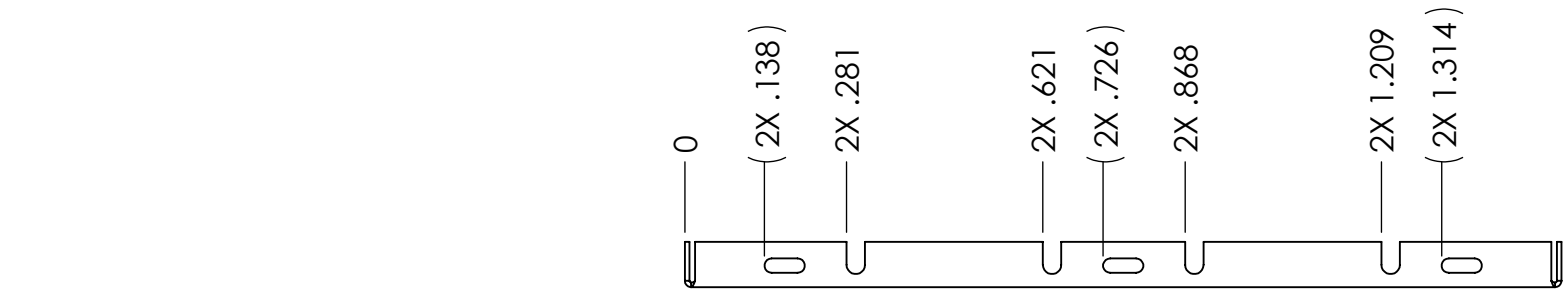


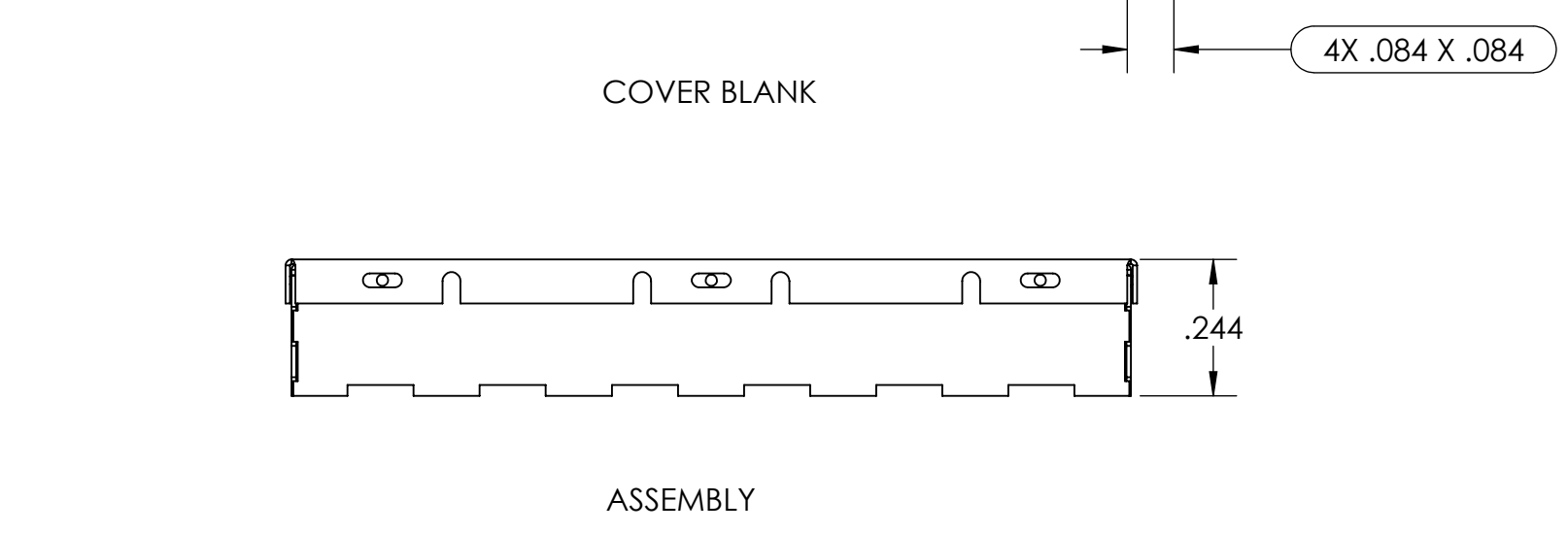
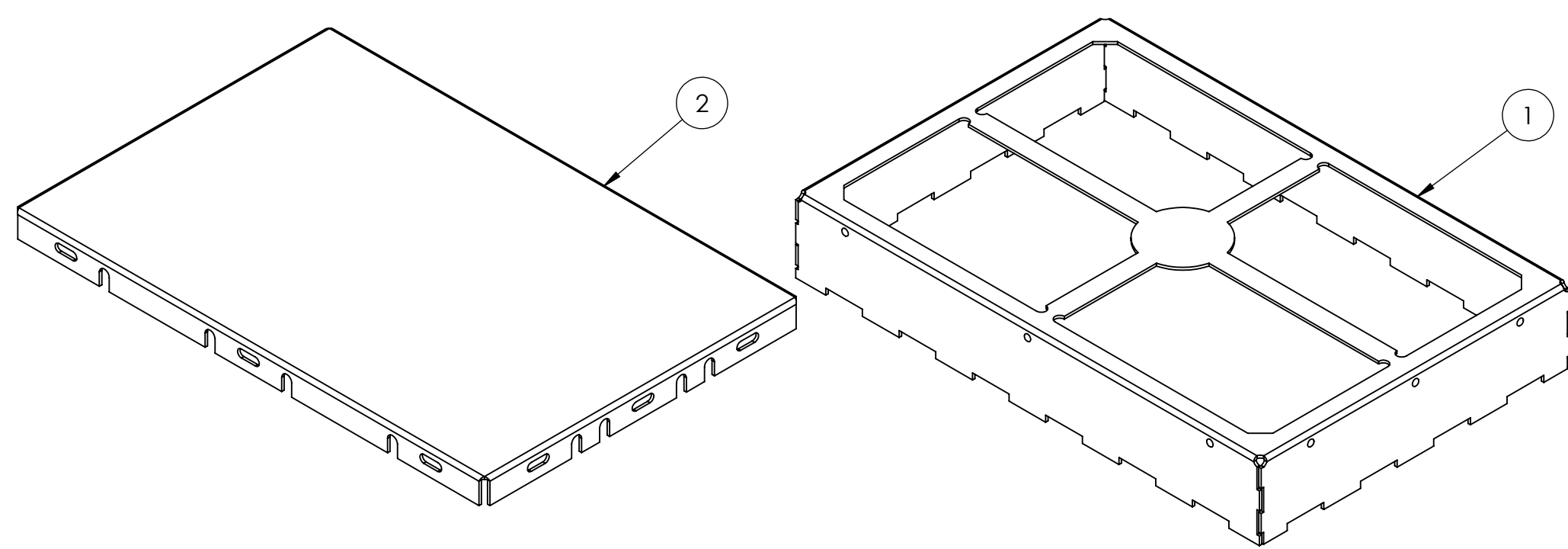
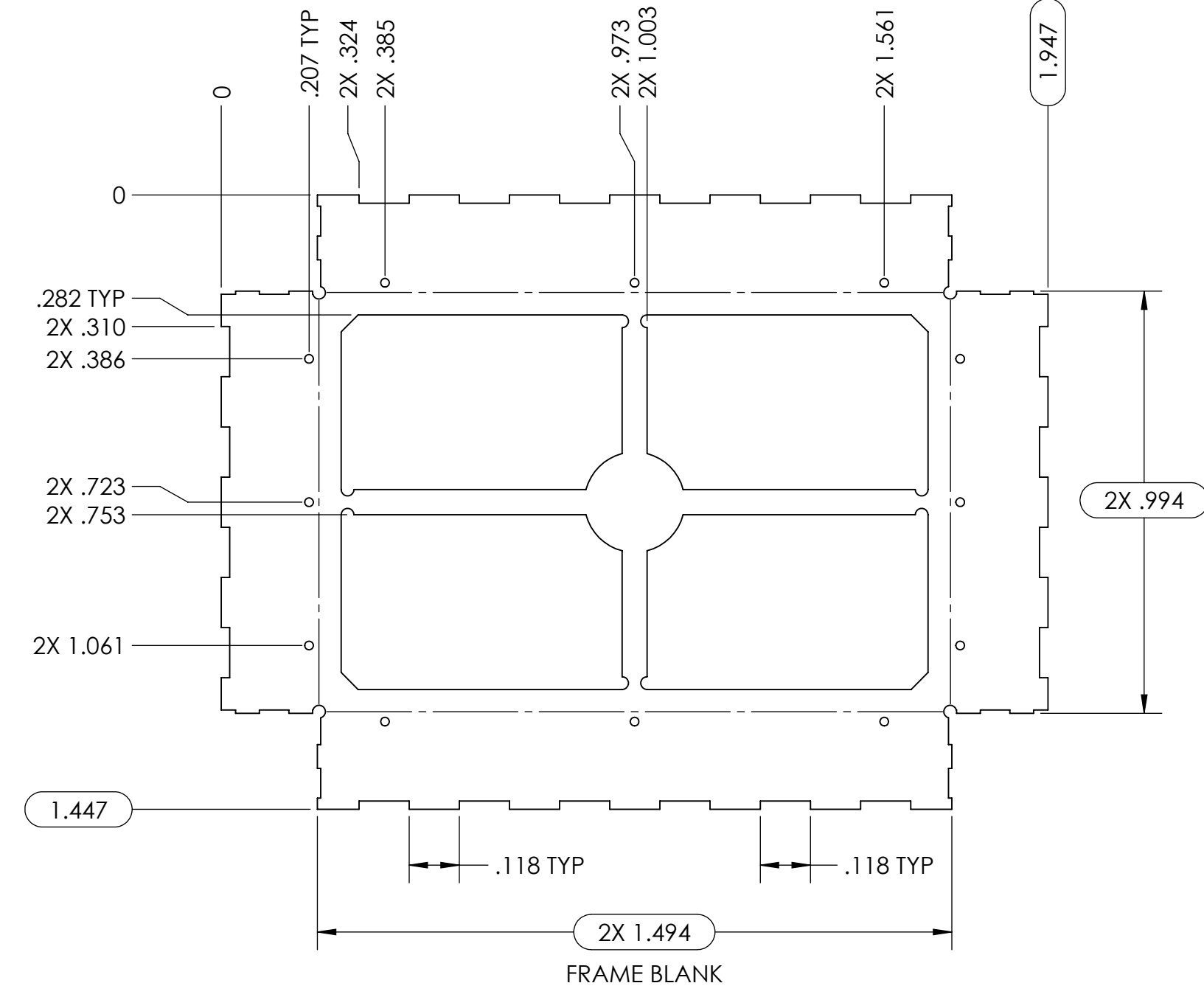
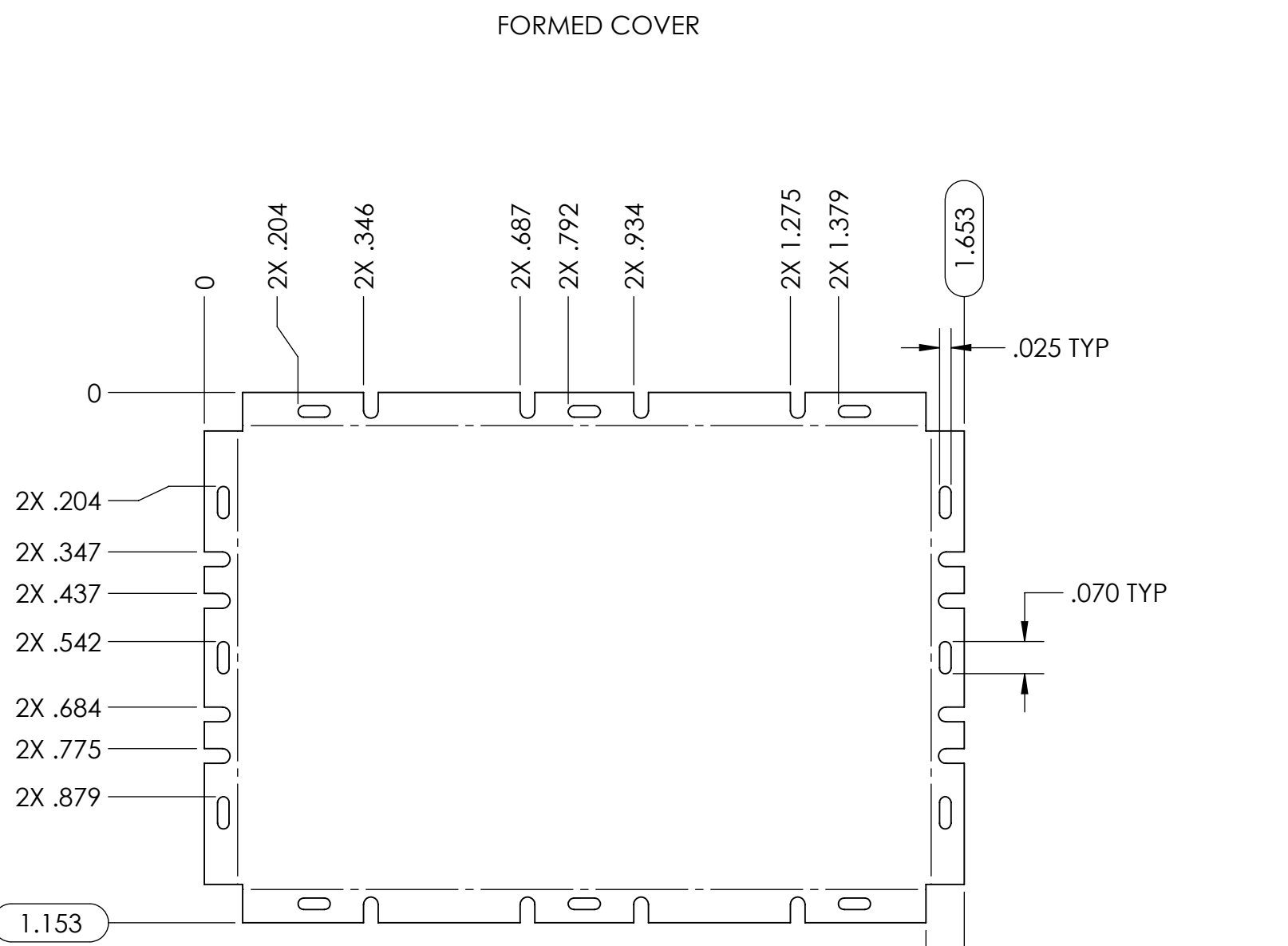
NOTES:

1. ASSURE ASSEMBLY CAPABILITY BY MATCHING WITH MATING PART

REV.		DESCRIPTION	REVISIONS		CHANGED BY	CHANGE DATE	APPROVED BY	APPROVED DATE
A1		PRODUCTION RELEASE						



CARRIER TAPE SPECIFICATIONS						
PART NUMBER	DESCRIPTION	OVERALL DIMENSION	OVERALL HEIGHT	CARRIER TAPE WIDTH	CARRIER TAPE PITCH	PARTS PER REEL
SMS-405F	FRAME	1.500 X 1.000 (38.10 X 25.40)	.236 (6.00)	56 mm	32 mm	250
SMS-405C	COVER	1.522 X 1.022 (38.65 X 25.95)	.079 (2.00)	N/A	N/A	BULK PACK



ITEM NO.	PART NUMBER	DESCRIPTION	QTY.
1	SMS-405F	FRAME	1
2	SMS-405C	COVER	1

UNLESS OTHERWISE SPECIFIED: - ALL DIMENSIONS ARE IN INCHES - PART SHALL BE FREE OF BURRS AND SHARP EDGES - ALL DIMENSIONS SHOWN APPLY AFTER PLATING AND COATINGS - ROHS COMPLIANT PER EU DIRECTIVE 2011/65/EU - POI = POINT OF INTERSECTION		THIRD ANGLE PROJECTION	
.XXX +/- .005 .XX +/- .010 .X +/- .020 ANGLES +/- 2°			
DRAWN BY:	ACCS	2015-04-17	APPROVED BY:
MATERIAL: MATTE		SCALE: 3:1	REV: A1
FINISH:		CAGE CODE: 41674	SHEET: 1 OF 1
TITLE: SURFACE MOUNT SHIELD		DWG. NO.: SMS-405-MFG	

THIS DOCUMENT CONTAINS PROPRIETARY INFORMATION OWNED BY LEADERTECH OR DEVELOPED AT ITS OWN PRIVATE EXPENSE AND MAY NOT BE USED, DUPLICATED OR DISCLOSED IN WHOLE OR IN PART FOR ANY PURPOSE INCLUDING DESIGN, MANUFACTURE OR PROCUREMENT WITHOUT THE WRITTEN PERMISSION OF LEADERTECH. LEADERTECH DOES NOT GUARANTEE OR WARRANT THE PERFORMANCE CHARACTERISTICS.