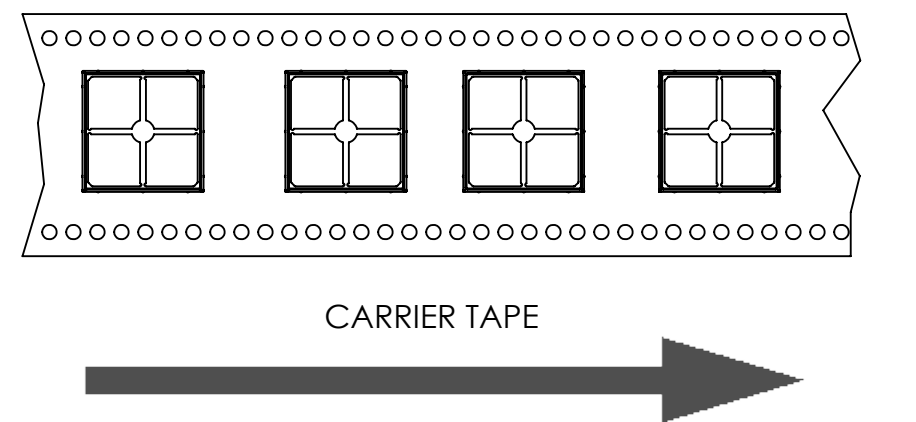
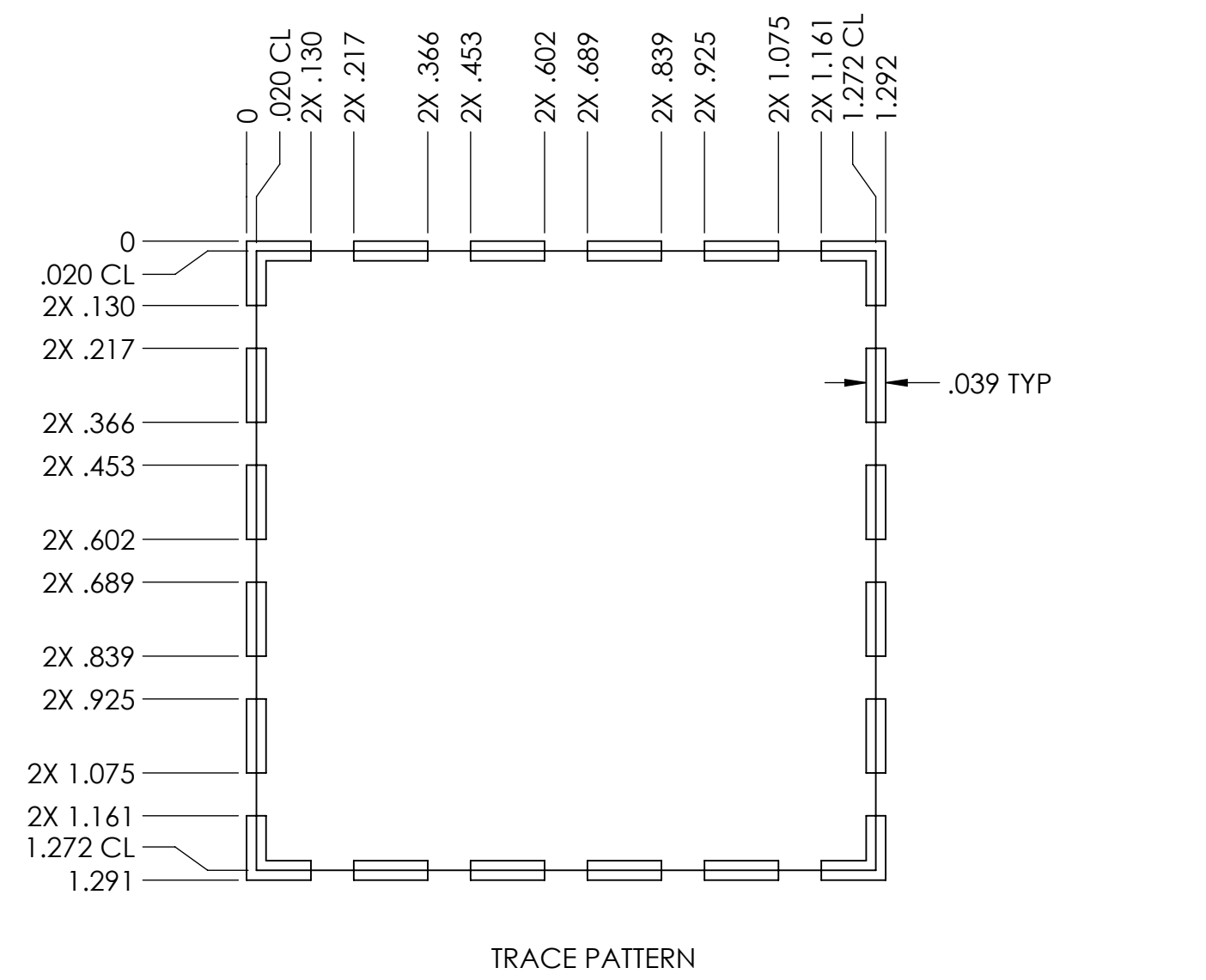
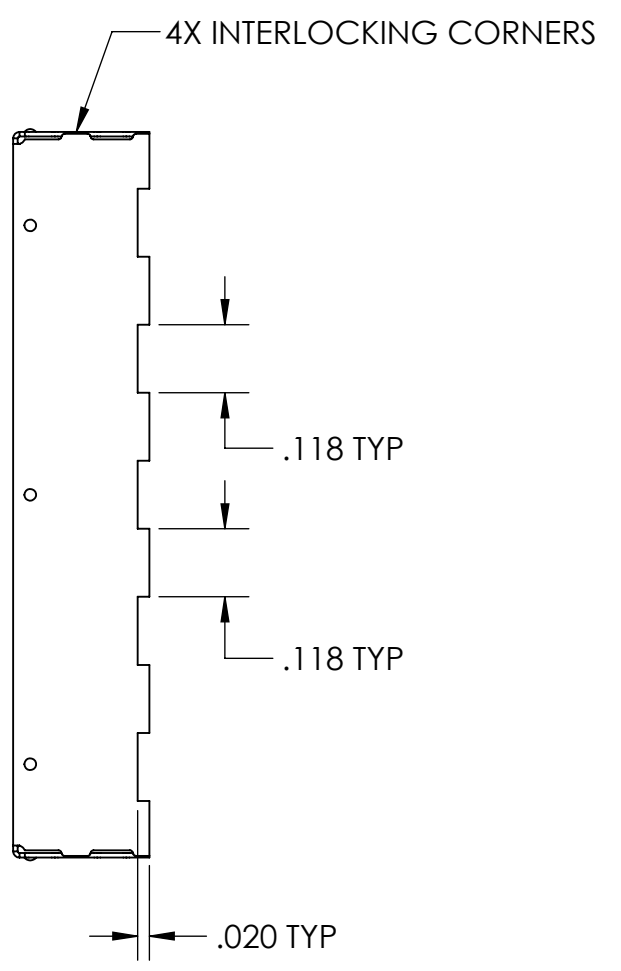
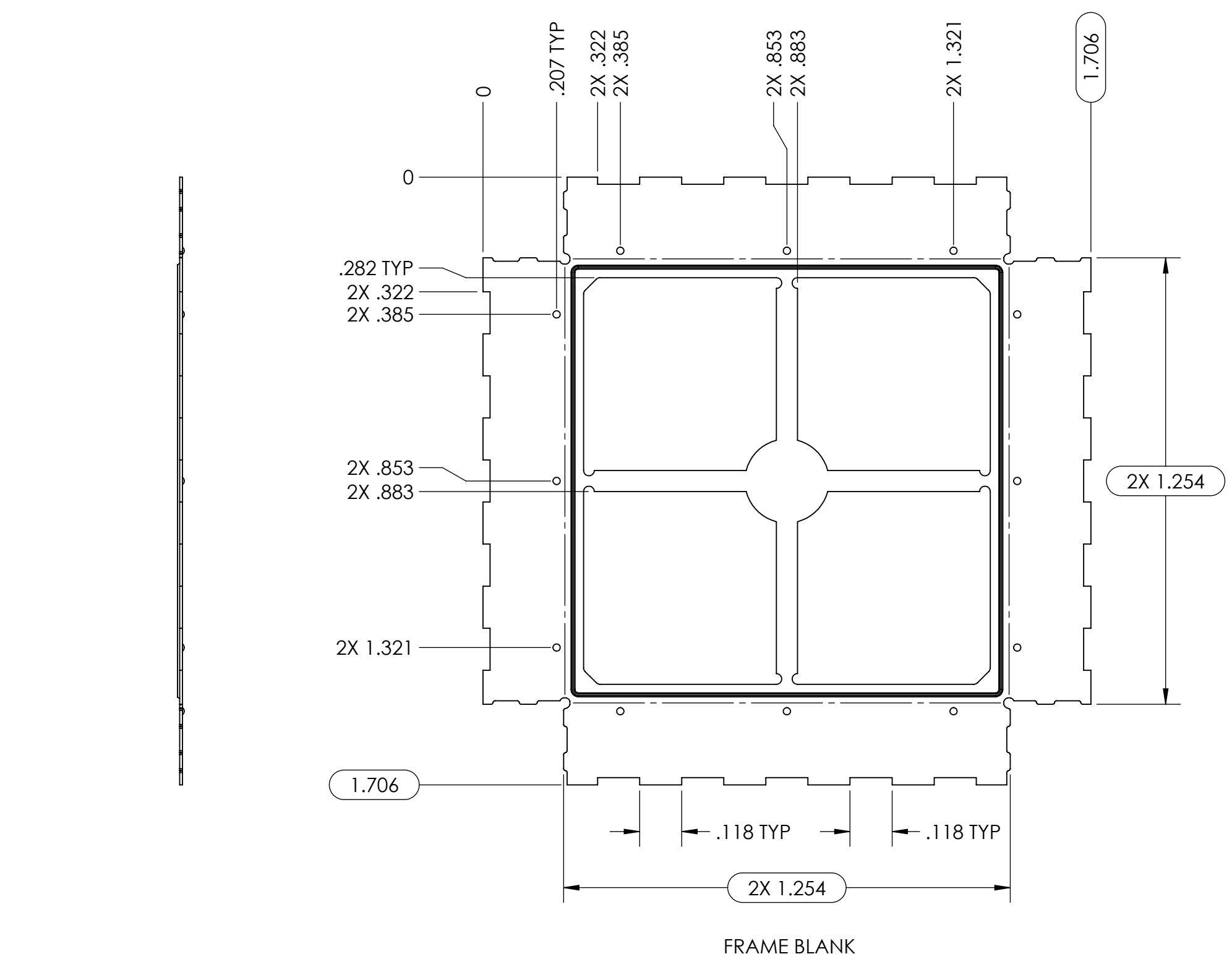
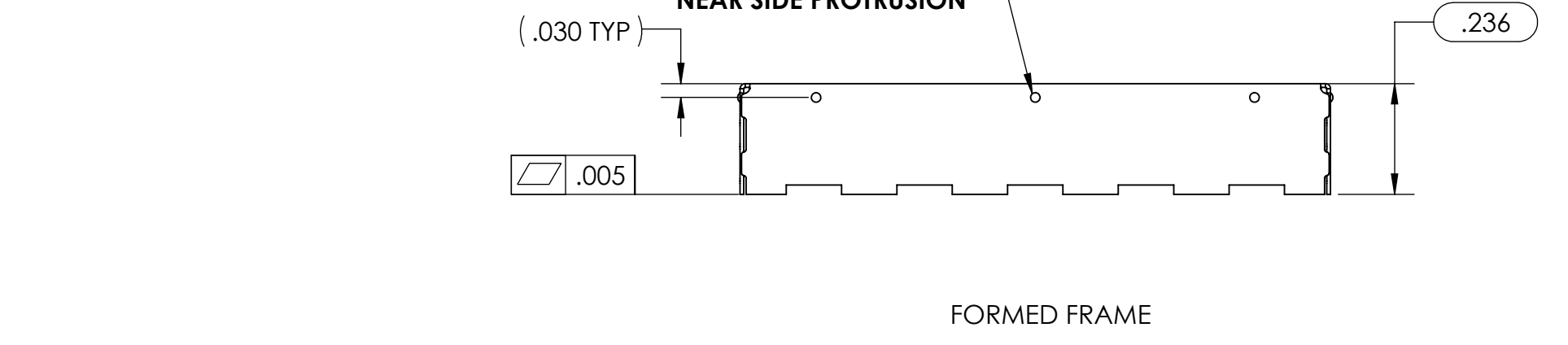
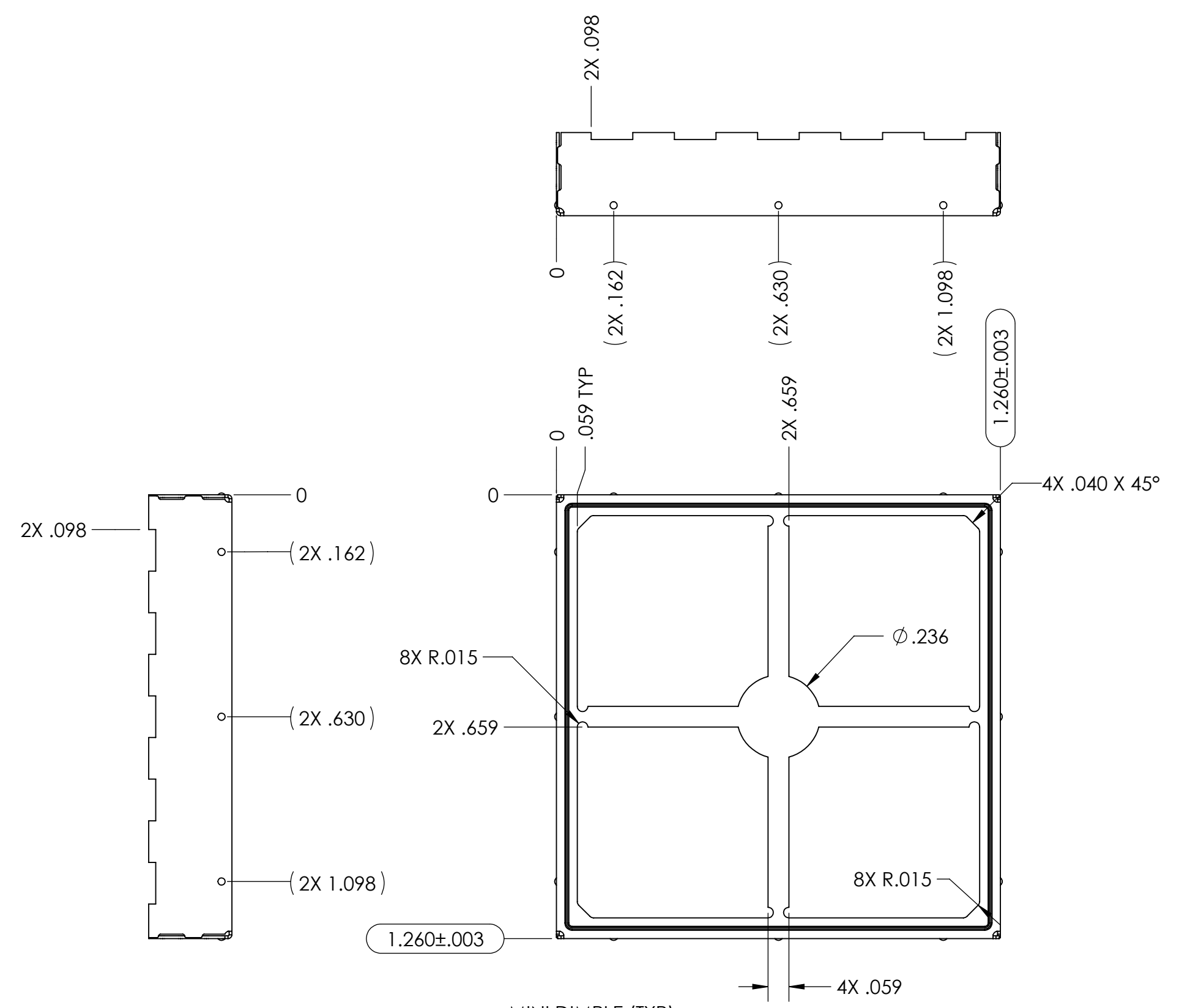
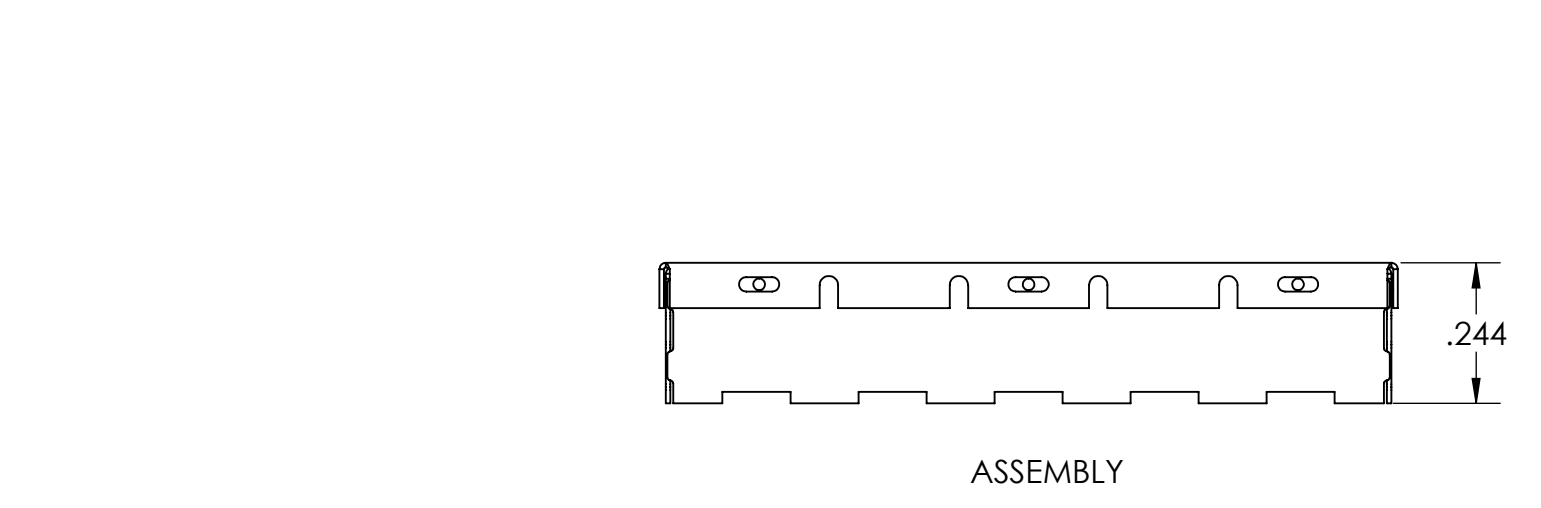
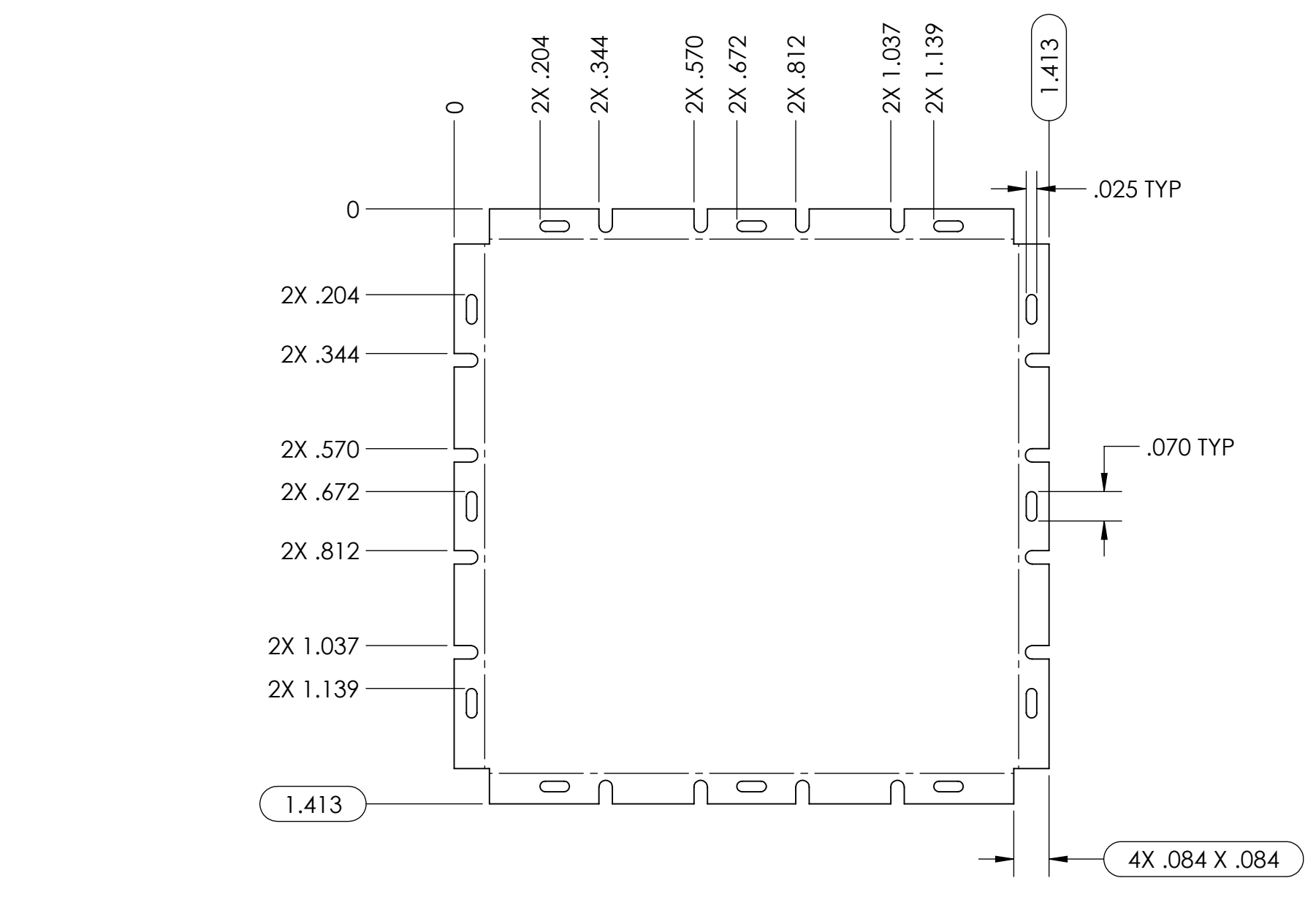
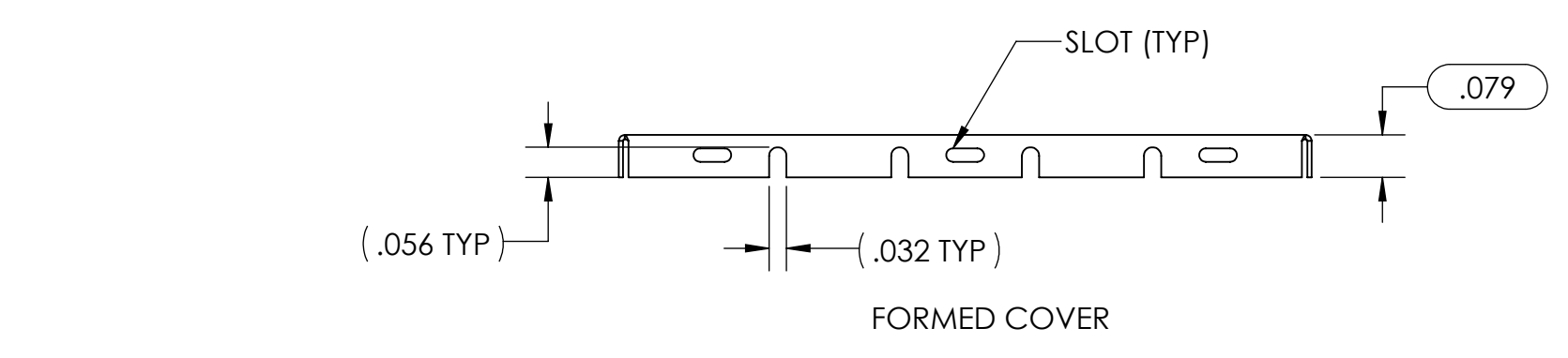
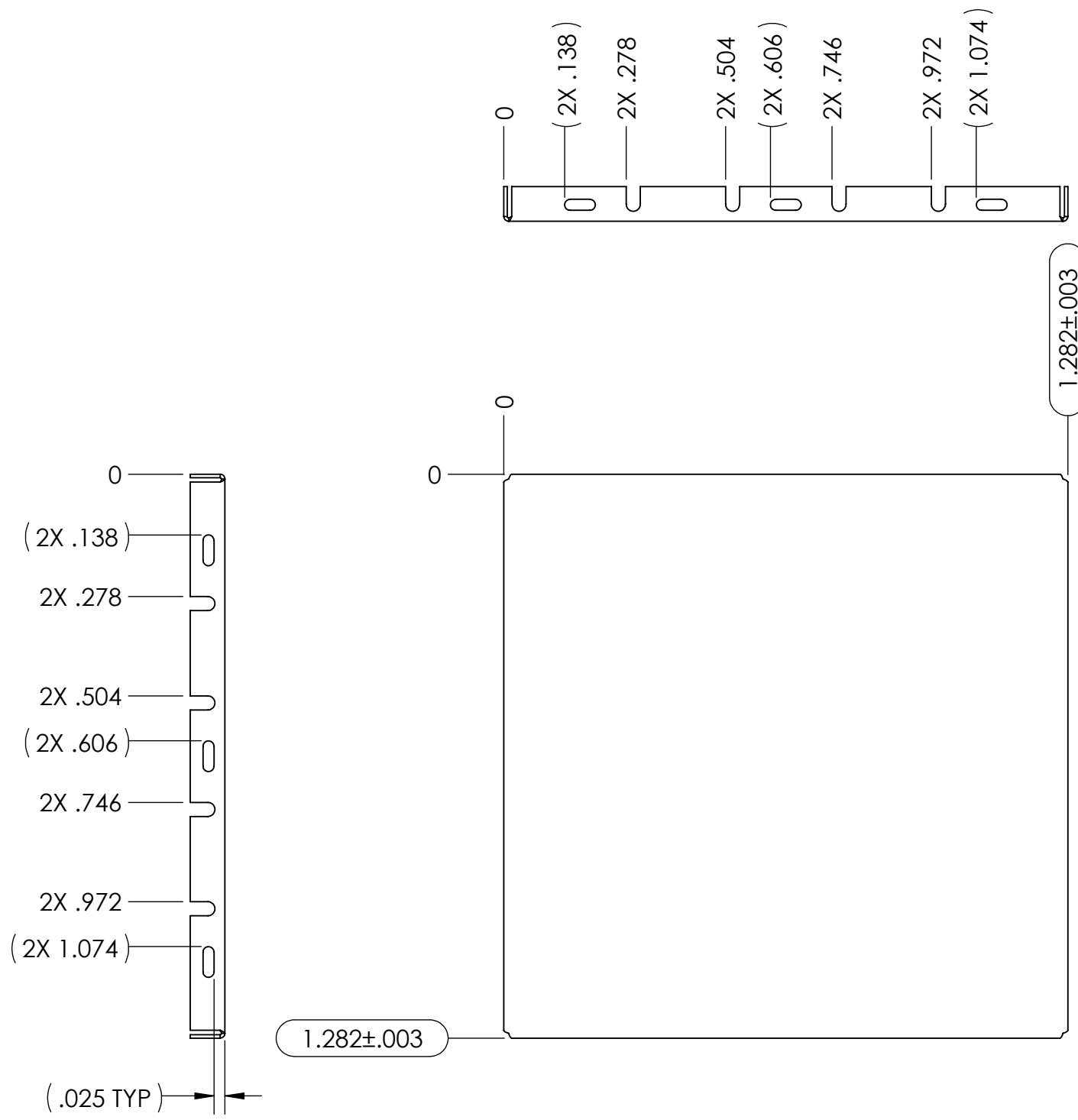
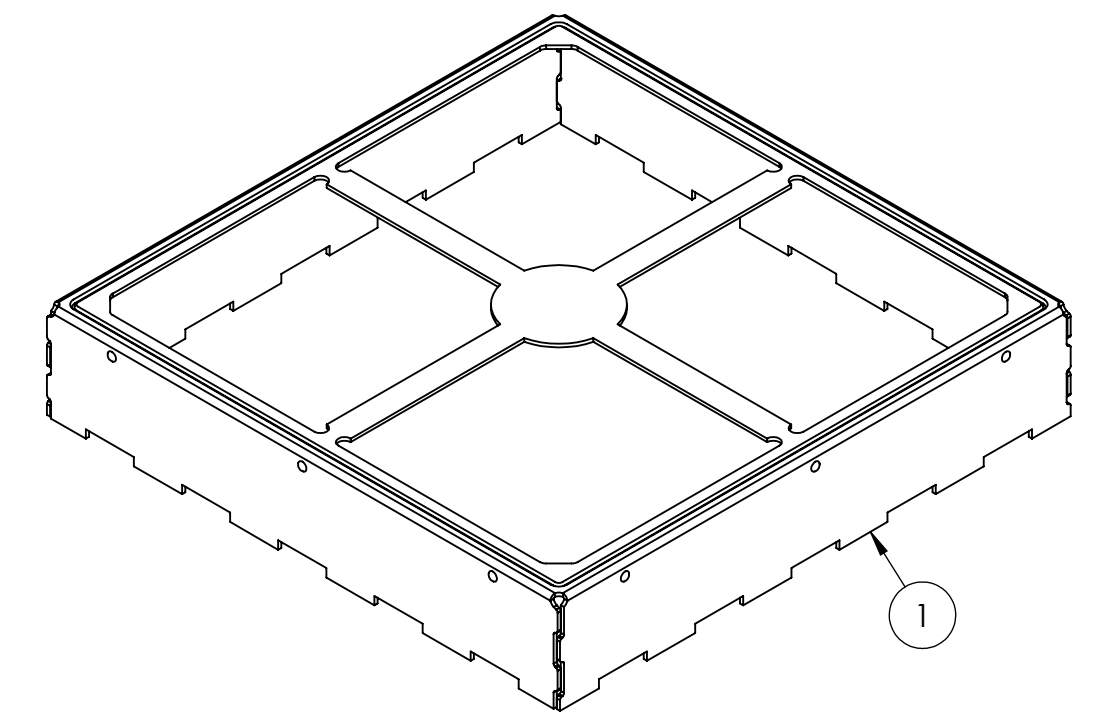
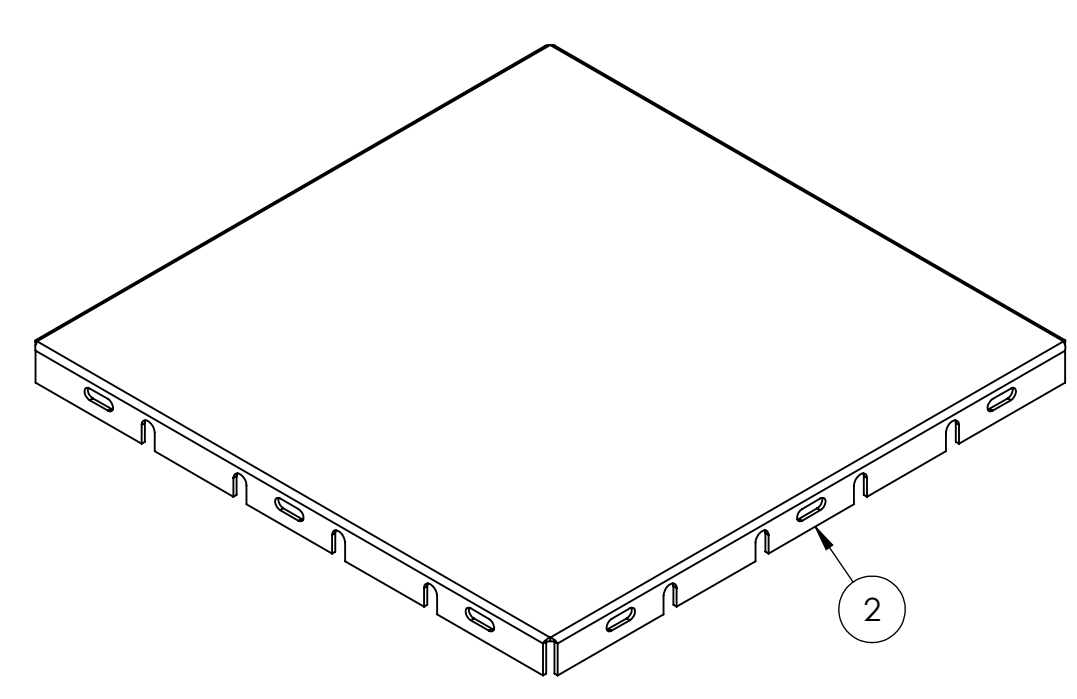


NOTES:
 1. ASSURE ASSEMBLY CAPABILITY BY MATCHING WITH MATING PART

REVISIONS			
REV.	DESCRIPTION	CHANGED BY	APPROVED BY
A1	PRODUCTION RELEASE	-	-
B1	REMOVED FRAME CORNER RELIEF; INTERLOCKING CORNER TAB LENGTH 0.060 WAS 0.056; INTERLOCKING CORNER GAP 0.003 WAS 0.007; ADDED 0.015 RADIUS TO CHAMFERED CORNERS ON FRAME TOP	JG 2016-12-12	ND 2016-12-12
C1	STIFFENING RIB ADDED TO FRAME	JG 2018-04-18	NB 2018-04-18
D1	CARRIER TAPE PITCH CHANGED TO 40mm WAS 36mm; CARRIER TAPE WIDTH CHANGED TO 56mm WAS 44mm	NB 2018-08-07	



CARRIER TAPE SPECIFICATIONS						
PART NUMBER	DESCRIPTION	OVERALL DIMENSIONS	OVERALL HEIGHT	CARRIER TAPE WIDTH	CARRIER TAPE PITCH	PARTS PER REEL
SMS-404F	FRAME	1.260 X 1.260 [32.00 X 32.00]	.236 [6.00]	56 mm	40 mm Δ	225
SMS-404C	COVER	1.282 X 1.282 [32.55 X 32.55]	.079 [2.00]	N/A	N/A	BULK PACK



ITEM NO.	PART NUMBER	DESCRIPTION	QTY.
1	SMS-404F	FRAME	1
2	SMS-404C	COVER	1

UNLESS OTHERWISE SPECIFIED:
 - ALL DIMENSIONS ARE IN INCHES
 - PART SHALL BE FREE OF BURRS AND SHARP EDGES
 - ALL DIMENSIONS SHOWN APPLY AFTER PLATING AND COATINGS
 - ROHS COMPLIANT PER EU DIRECTIVE 2011/65/EU
 - POI = POINT OF INTERSECTION

THIRD ANGLE PROJECTION

LEADER TECH
 a HEICO company
 The Leading Edge in PM Manufacturing Technology

TITLE: SURFACE MOUNT SHIELD

DRAWN BY: ACS 2015-04-16 ND 2015-04-16

APPROVED BY: ND 2015-04-16

FRIGID: MATTE

MATERIAL: .008" - PRE TIN STEEL

SCALE: 3:1

CAGE CODE: 41674

SHEET: 1 OF 1

THIS DOCUMENT CONTAINS PROPRIETARY INFORMATION OWNED BY LEADERTECH OR DERIVED AT ITS OWN PRIVATE EXPENSE AND MAY NOT BE USED, DUPLICATED OR DISCLOSED IN WHOLE OR IN PART FOR ANY PURPOSE INCLUDING DESIGN, MANUFACTURE OR PROCUREMENT WITHOUT THE WRITTEN PERMISSION OF LEADERTECH. LEADERTECH DOES NOT GUARANTEE OR WARRANT THE PERFORMANCE CHARACTERISTICS.