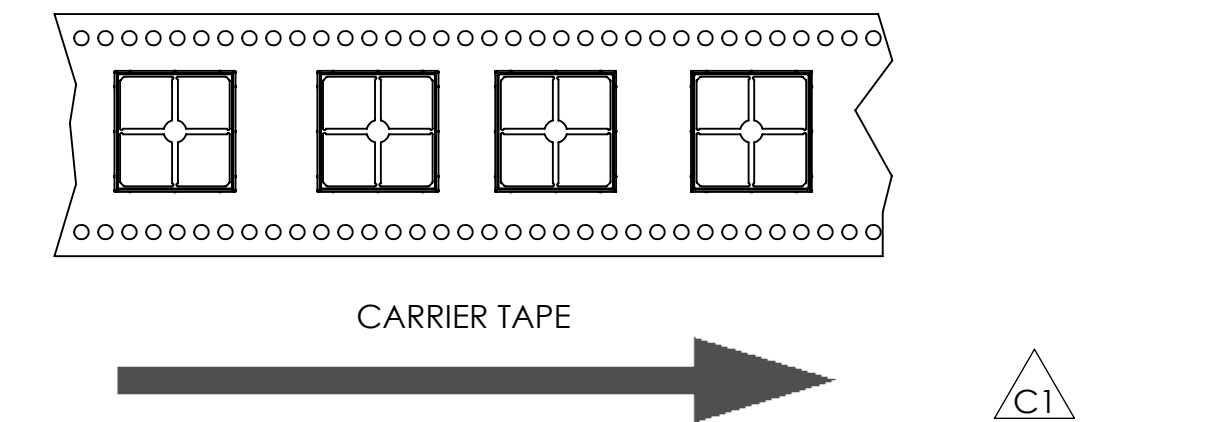
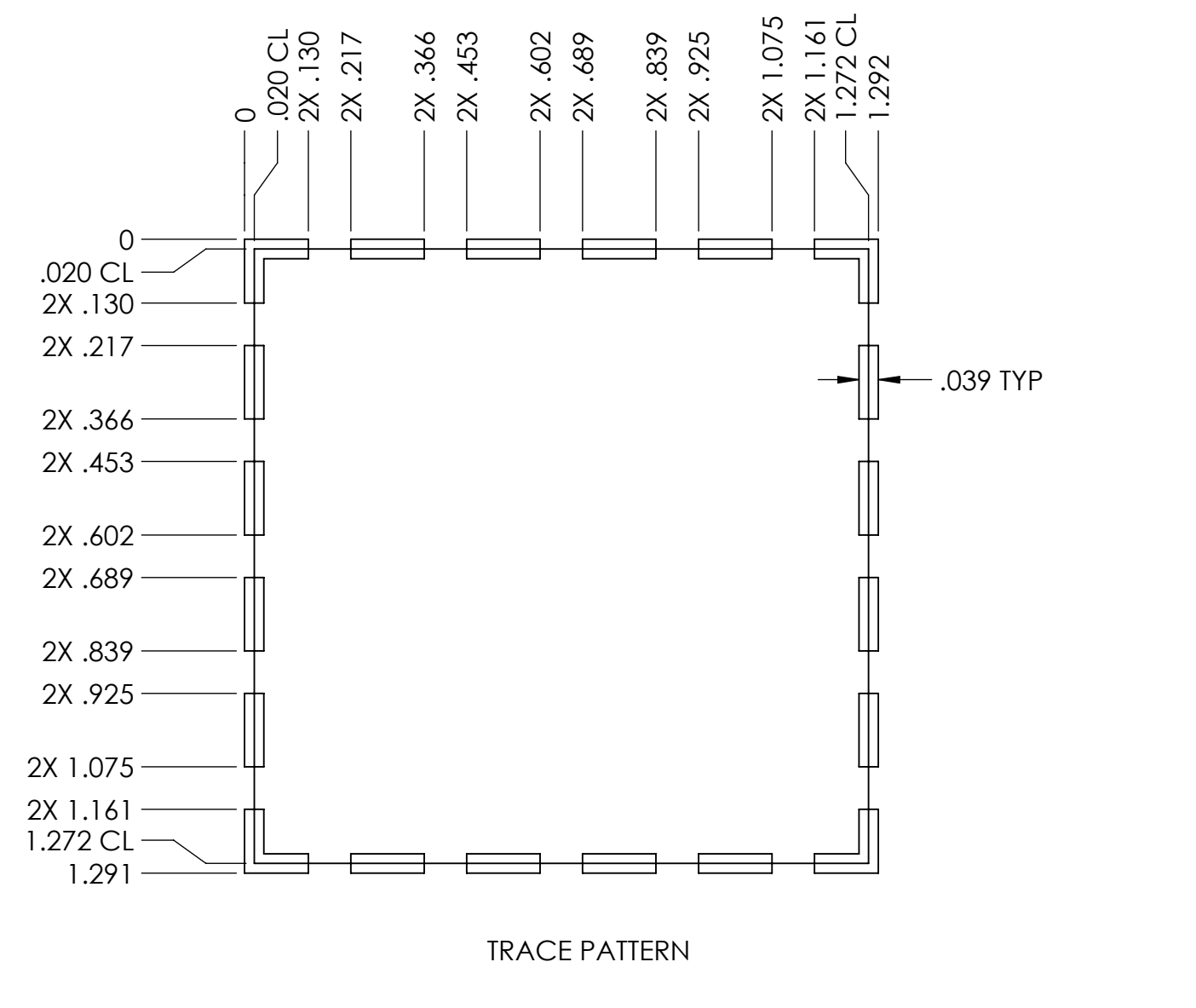
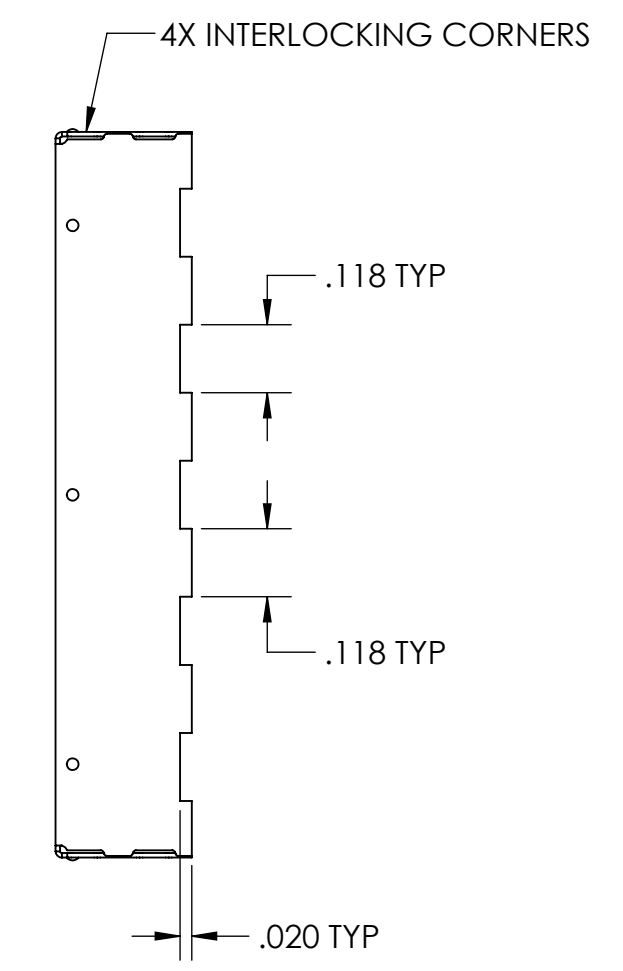
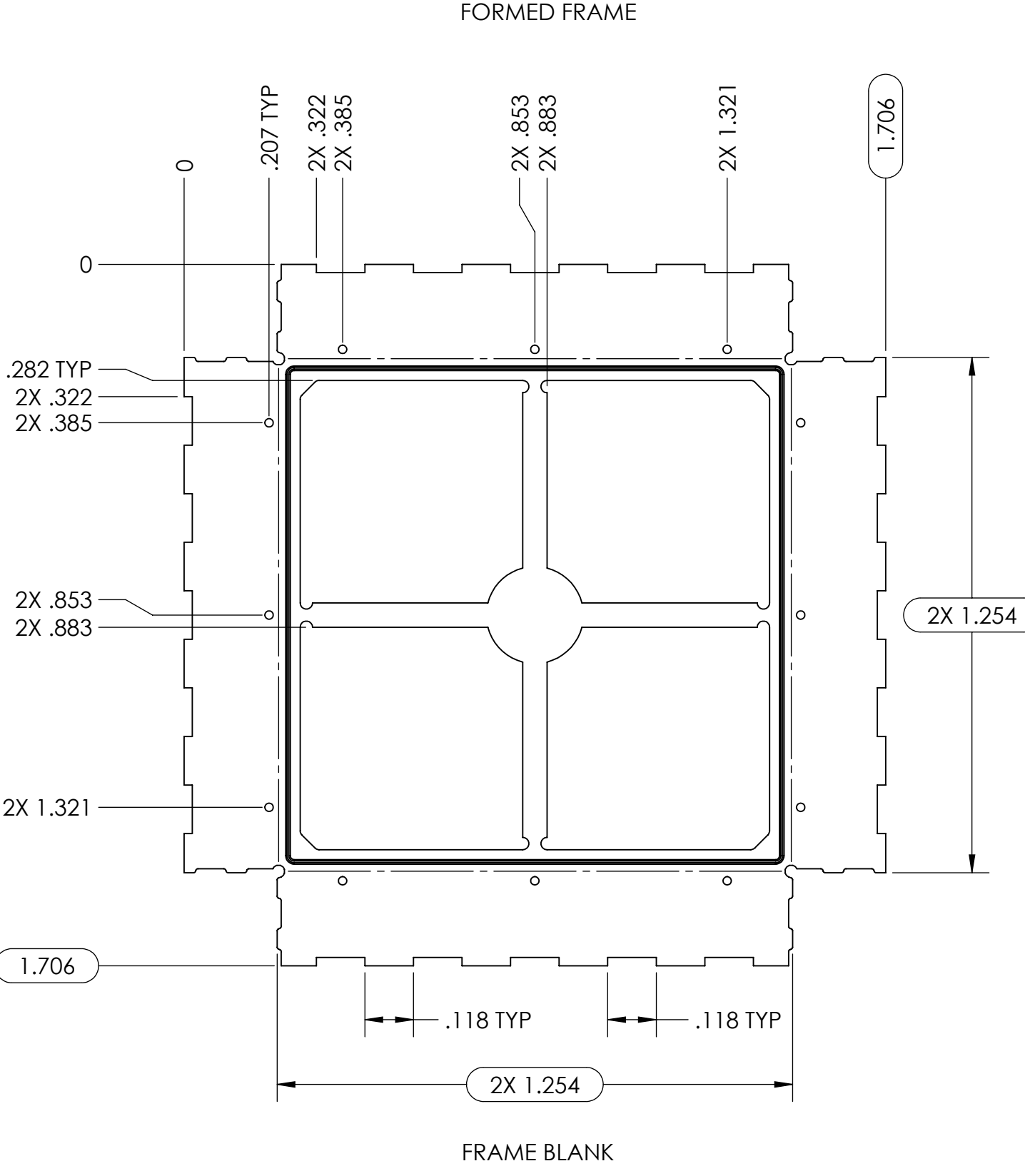
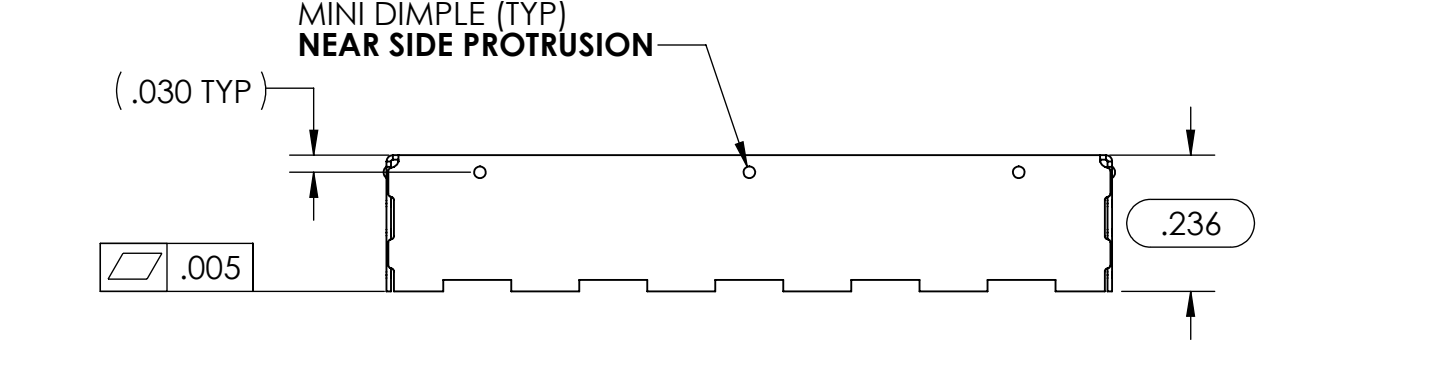
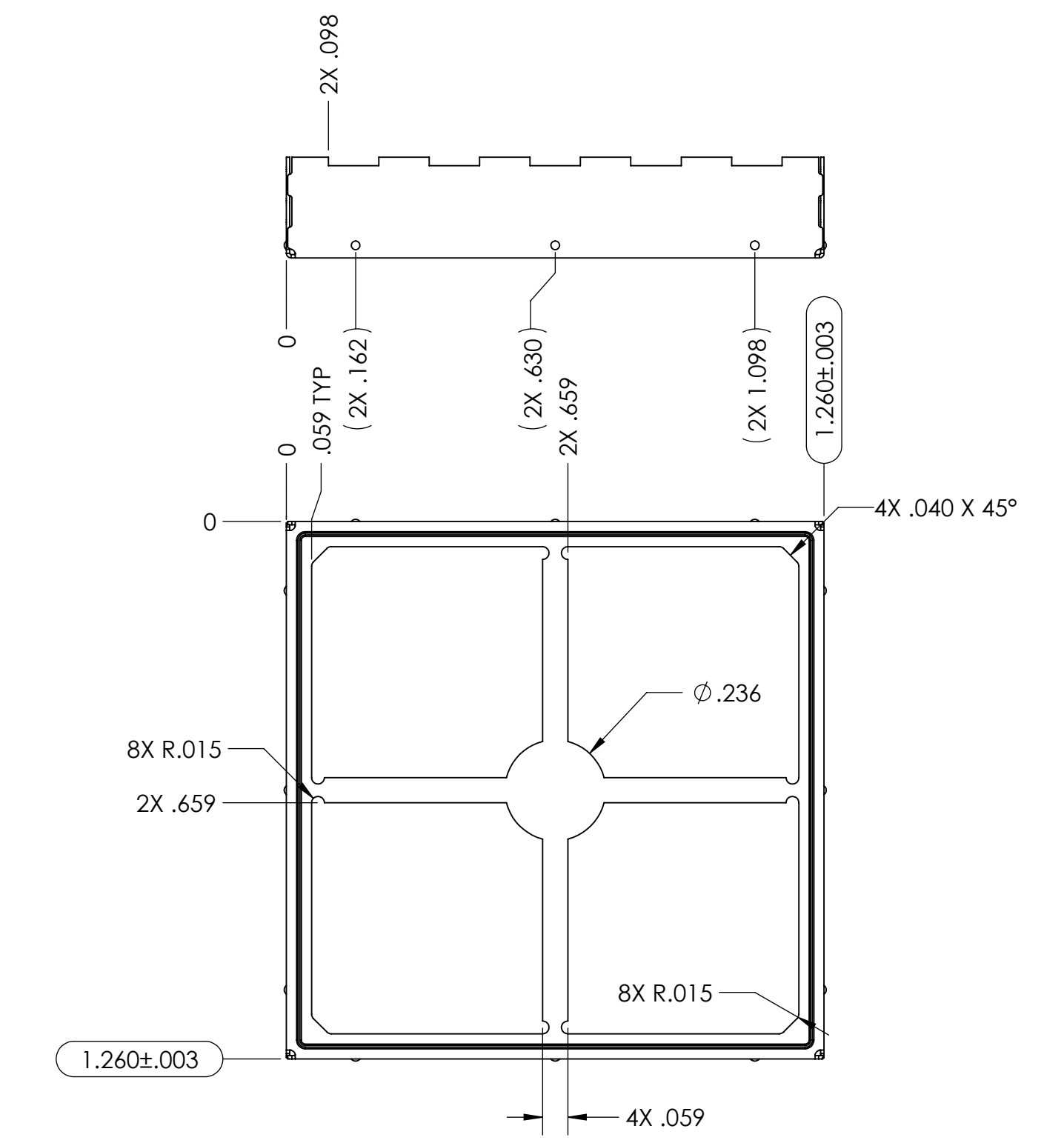
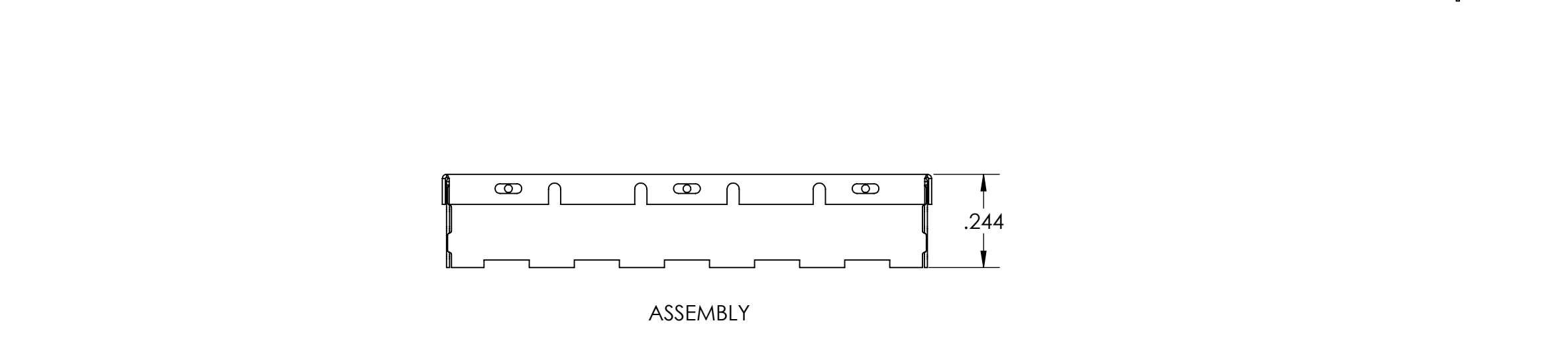
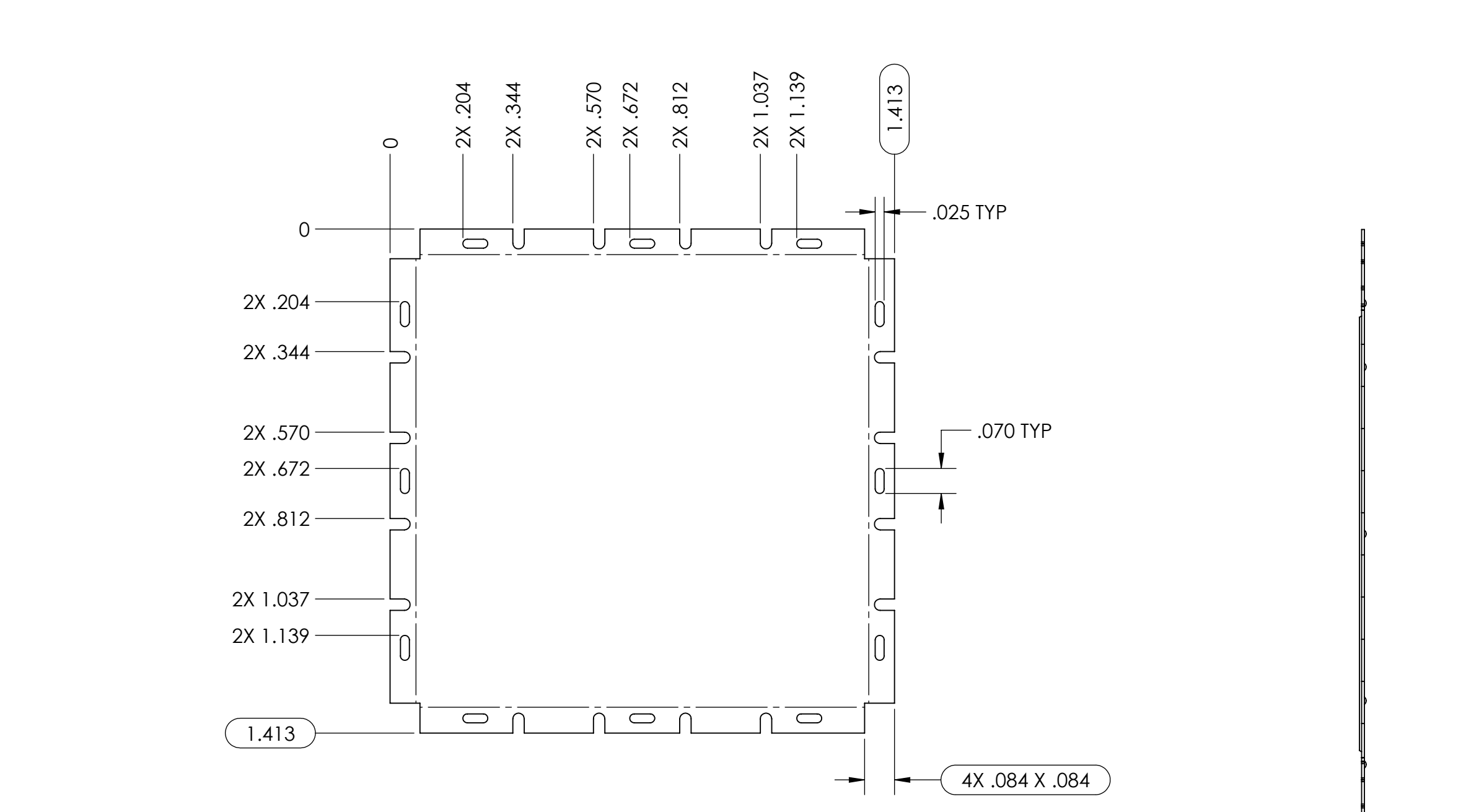
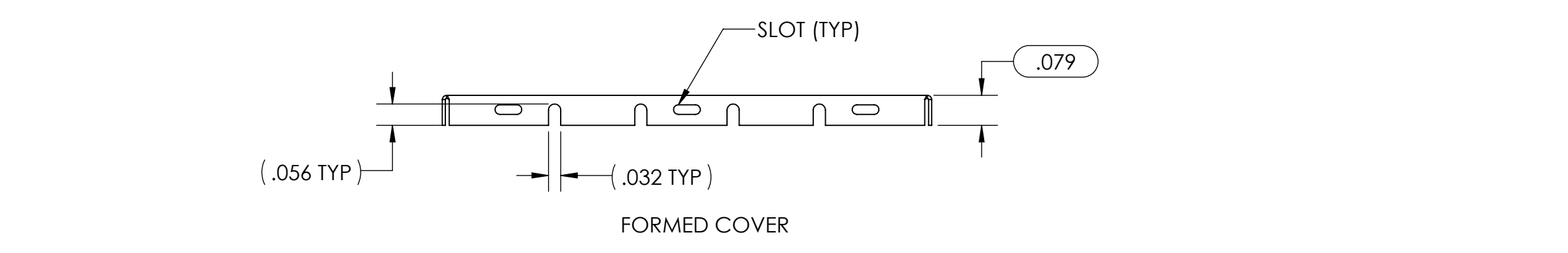
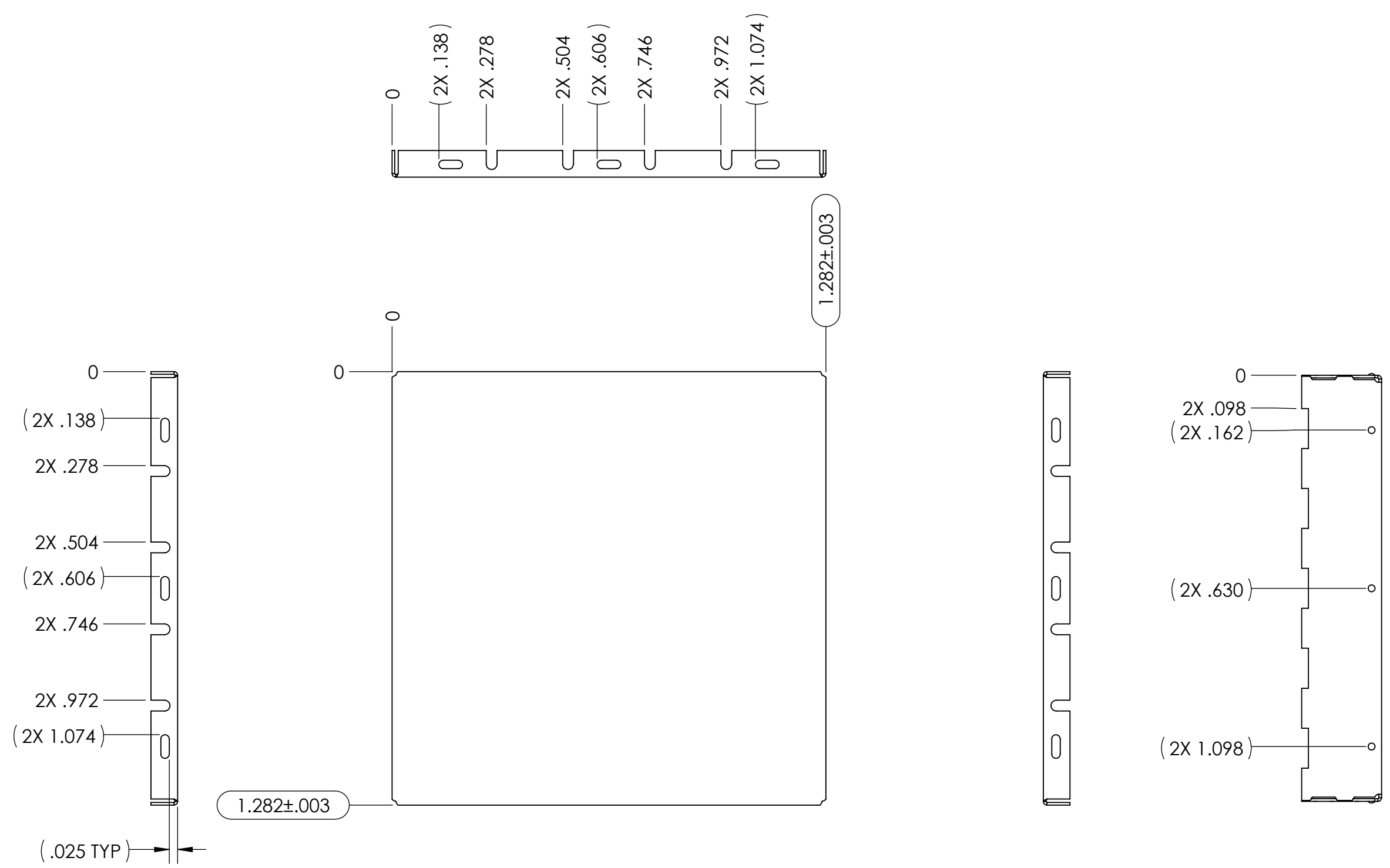
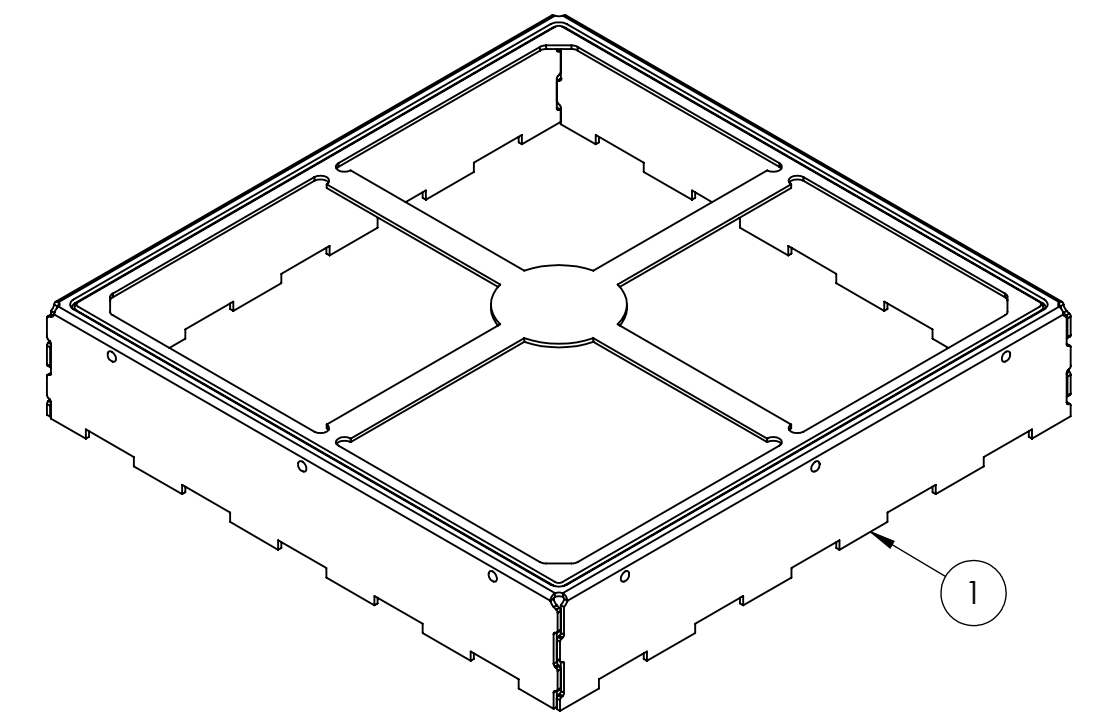
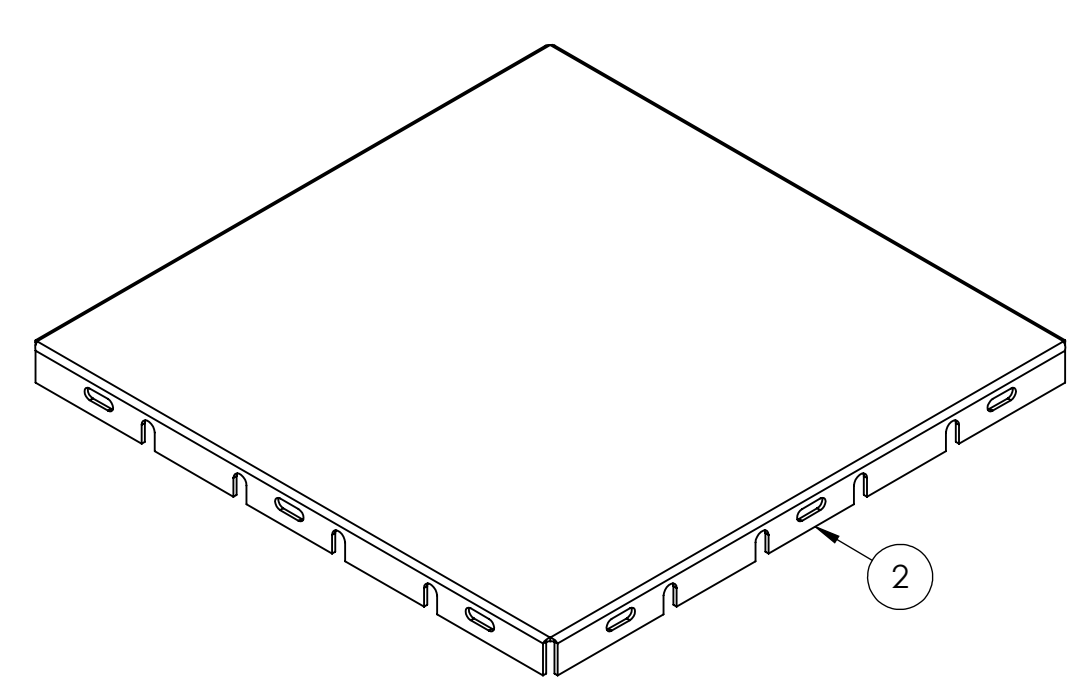


NOTES:
 1. ASSURE ASSEMBLY CAPABILITY BY MATCHING WITH MATING PART

REVISIONS			
REV.	DESCRIPTION	CHANGED BY	APPROVED BY
A1	PRODUCTION RELEASE	-	-
B1	REMOVED FRAME CORNER RELIEF; INTERLOCKING CORNER TAB LENGTH 0.040 WAS 0.056; INTERLOCKING CORNER GAP 0.003 WAS 0.007; ADDED 0.015 RADIUS TO CHAMFERED CORNERS ON FRAME TOP; 40 MM CARRIER TAPE PITCH WAS 36 MM	JG 2016-12-12	ND 2016-12-12
C1	STIFFENING RIB ADDED TO FRAME; PARTS PER REEL WAS 230.1.272 NOW 225	JG 2018-04-18	



CARRIER TAPE SPECIFICATIONS						
PART NUMBER	DESCRIPTION	OVERALL DIMENSIONS	OVERALL HEIGHT	CARRIER TAPE WIDTH	CARRIER TAPE PITCH	PARTS PER REEL
SMS-404-N-F	FRAME	1.260 X 1.260 [32.00 X 32.00]	.236 [6.00]	44 mm	40 mm	225
SMS-404-N-C	COVER	1.282 X 1.282 [32.55 X 32.55]	.079 [2.00]	N/A	N/A	BULK PACK



ITEM NO.	PART NUMBER	DESCRIPTION	QTY.
1	SMS-404-N-F	FRAME	1
2	SMS-404-N-C	COVER	1

UNLESS OTHERWISE SPECIFIED: - ALL DIMENSIONS ARE IN INCHES - PART SHALL BE FREE OF BURRS AND SHARP EDGES - ALL DIMENSIONS SHOWN APPLY BEFORE PLATING AND COATINGS - ROHS COMPLIANT PER EU DIRECTIVE 2011/65/EU - POI = POINT OF INTERSECTION		THIRD ANGLE PROJECTION
DRAWN BY: ACS		APPROVED BY: ND
DATE: 2015-04-16	DATE: 2015-04-16	SCALE: 3:1
MATERIAL: N/A		CAGE CODE: 41674
FINISH: .008" C77000 H02 (ALLOY 770)		SHEET: 1 OF 1

THIS DOCUMENT CONTAINS PROPRIETARY INFORMATION OWNED BY LEADTECH OR DEVELOPED AT ITS OWN PRIVATE EXPENSE AND MAY NOT BE USED, DUPLICATED OR DISCLOSED IN WHOLE OR IN PART FOR ANY PURPOSE INCLUDING DESIGN, MANUFACTURE OR PROCUREMENT WITHOUT THE WRITTEN PERMISSION OF LEADTECH. LEADTECH DOES NOT GUARANTEE OR WARRANT THE PERFORMANCE CHARACTERISTICS.



TITLE: SURFACE MOUNT SHIELD