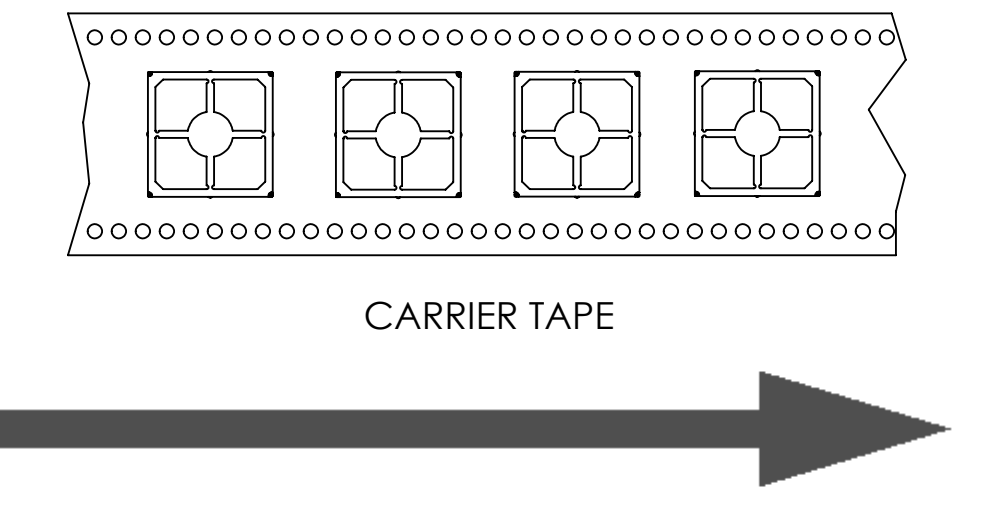
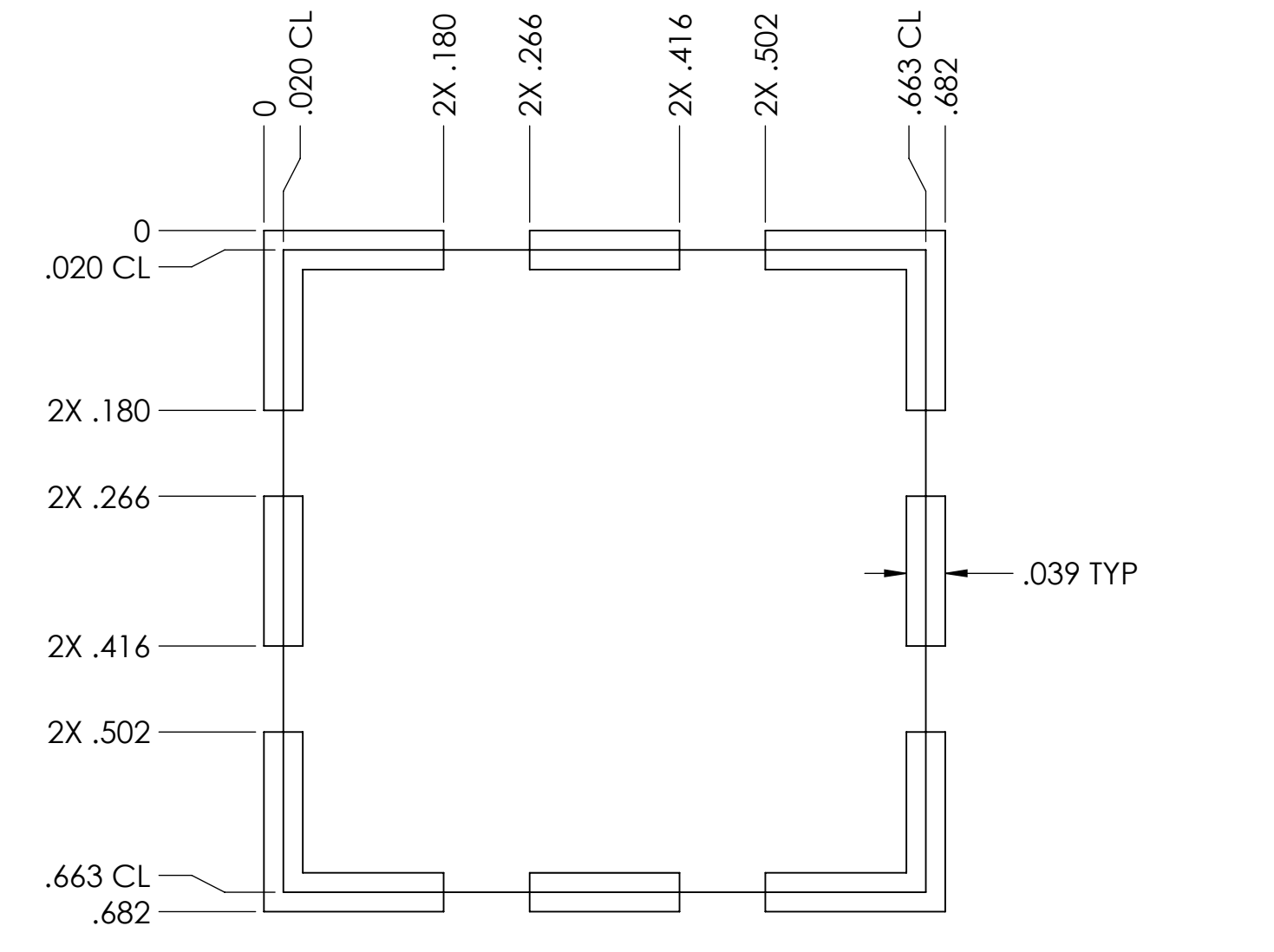
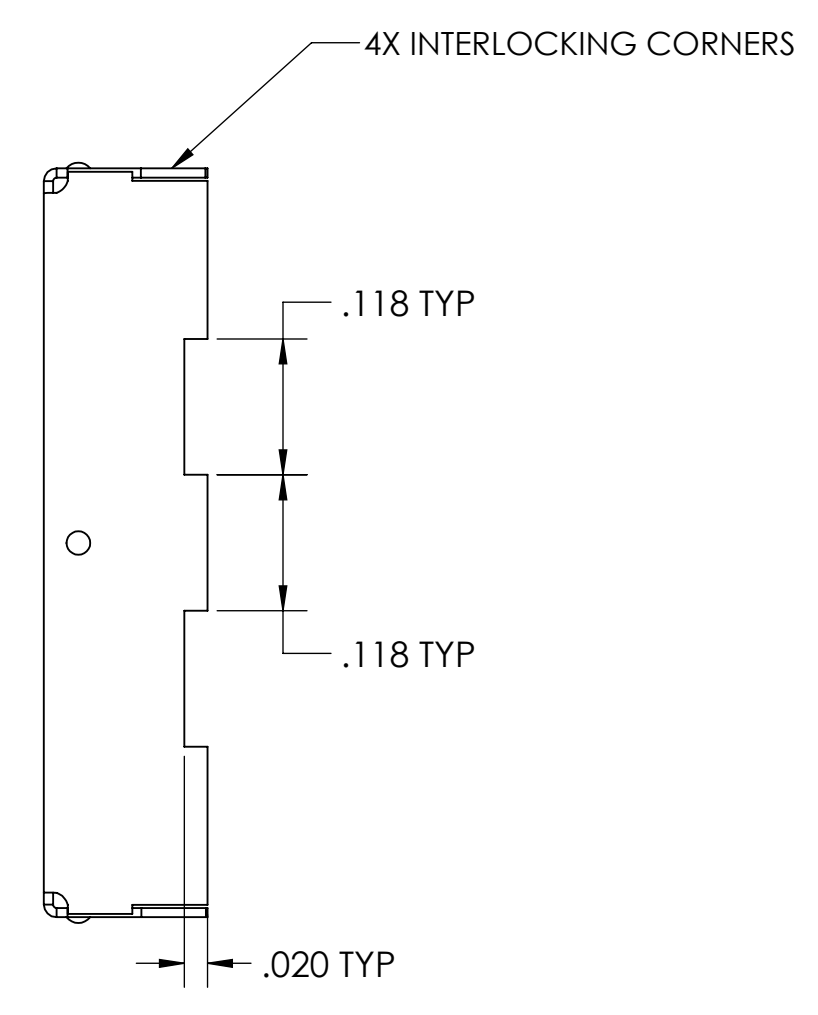
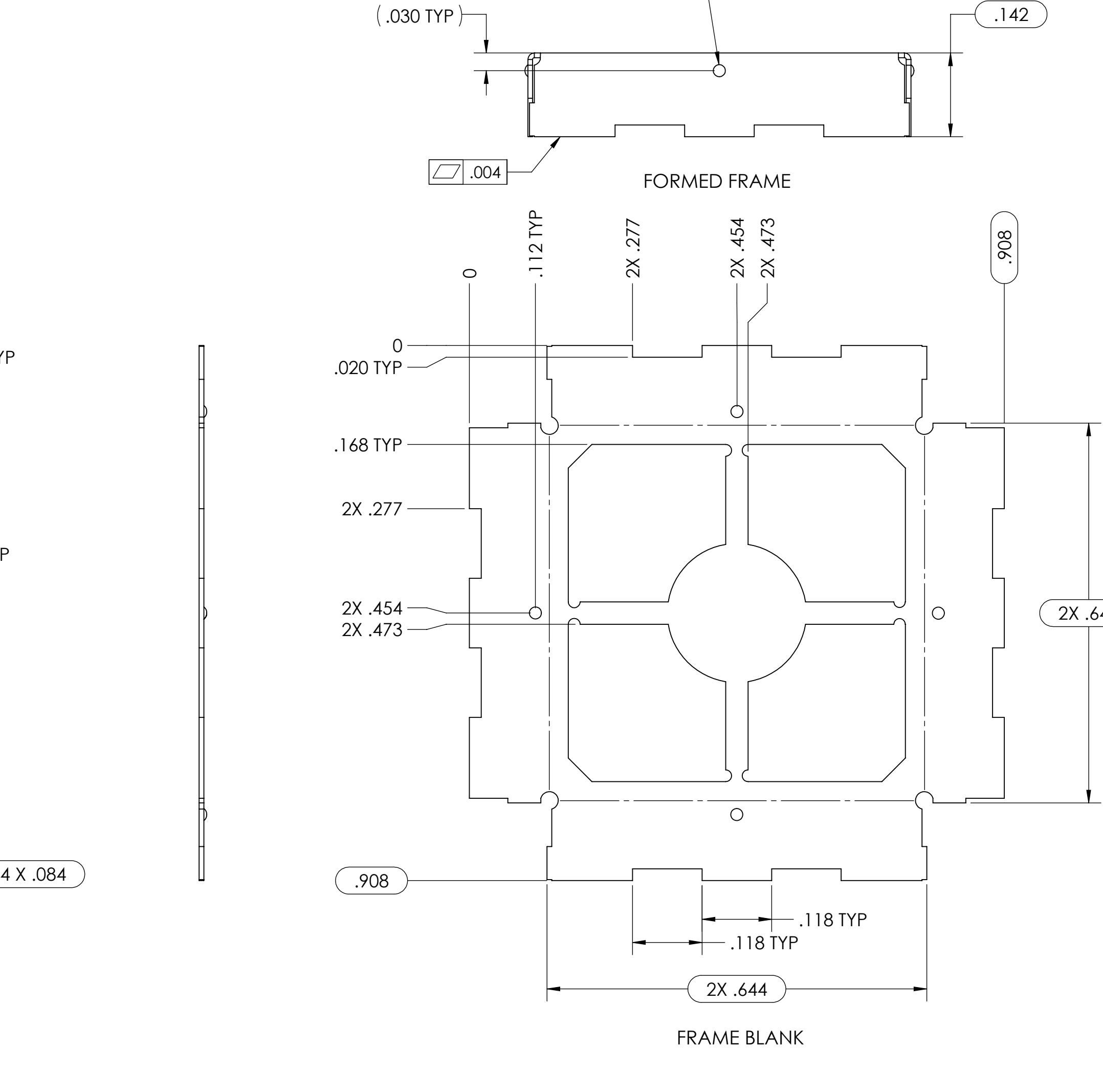
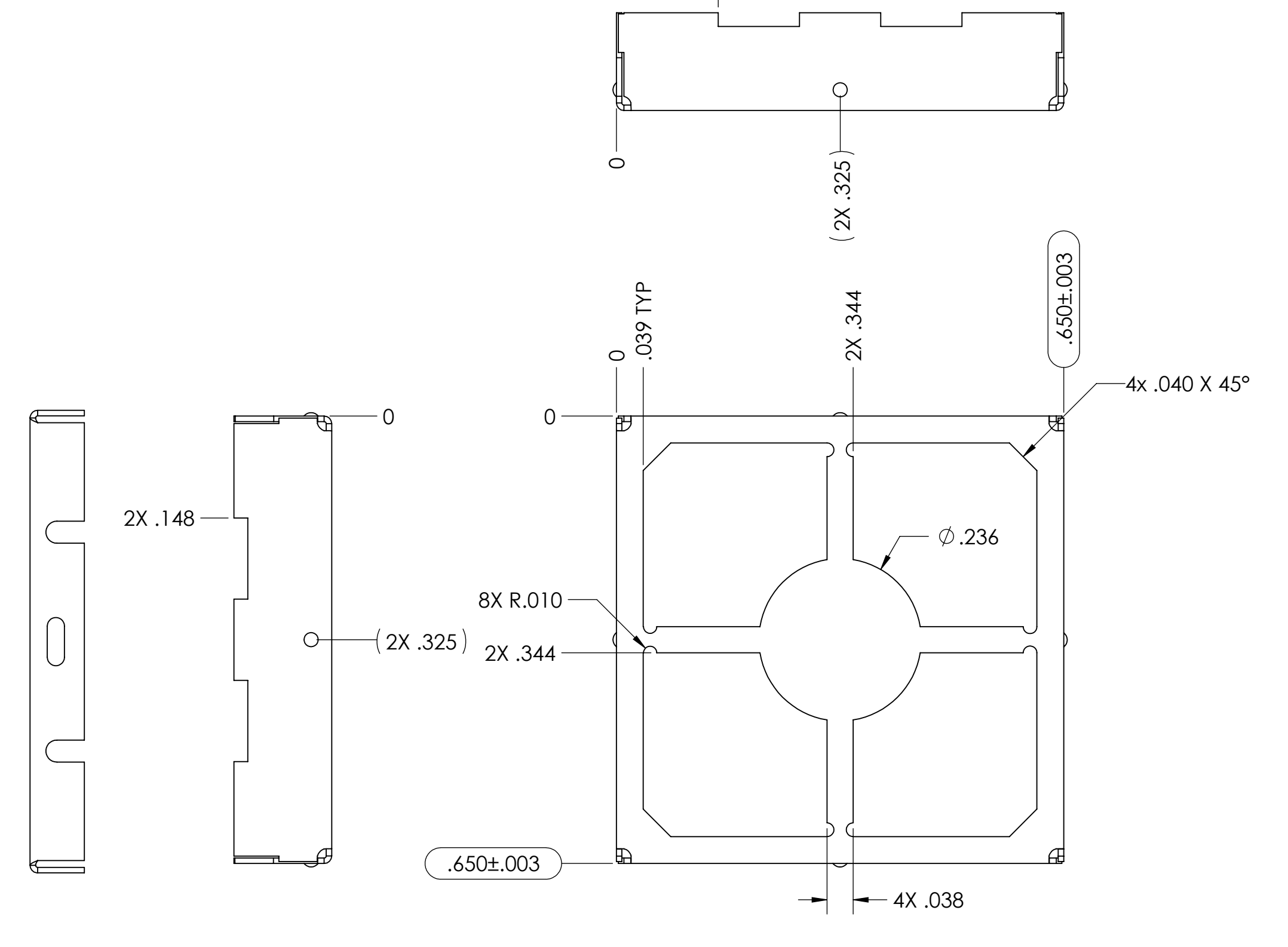
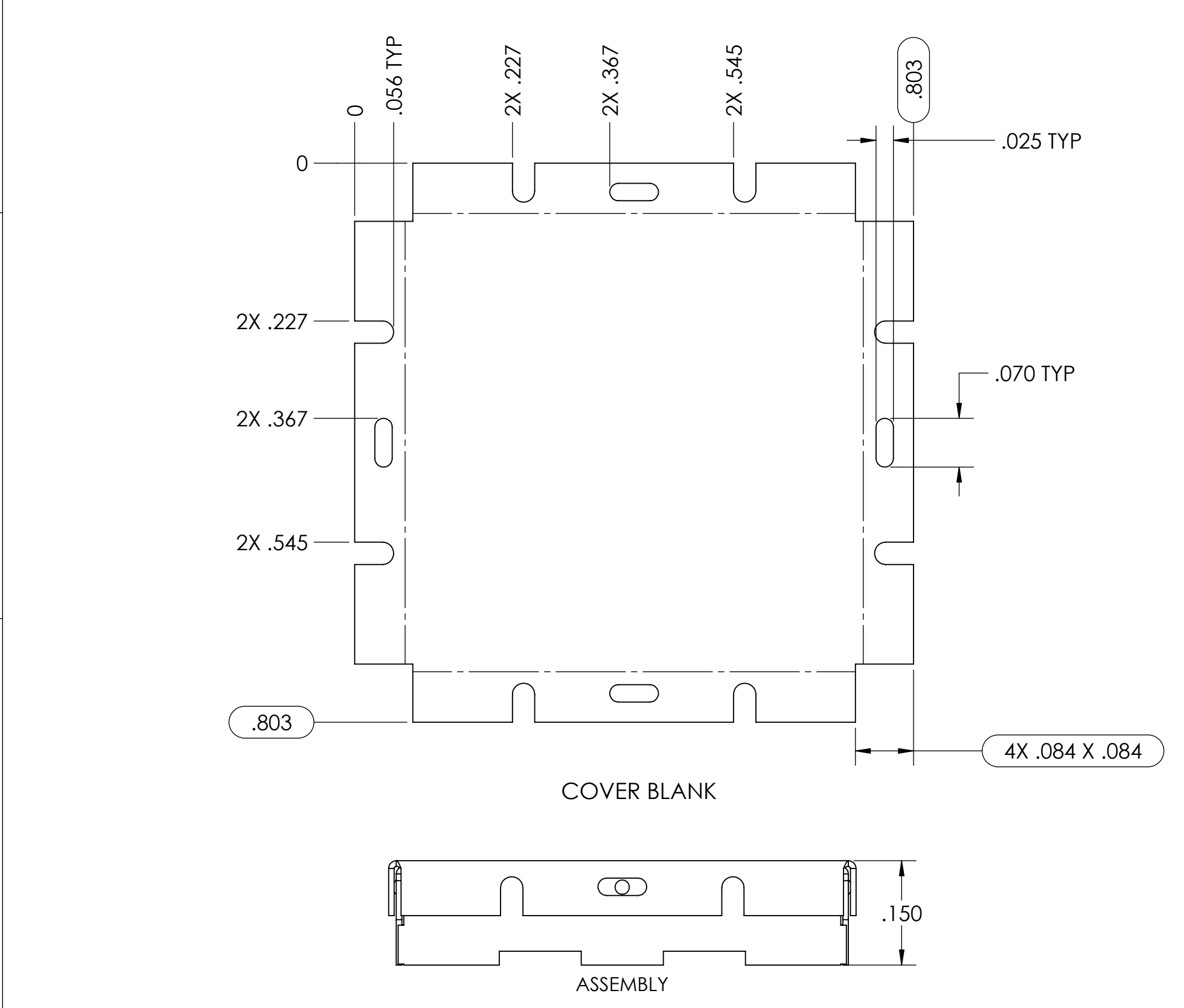
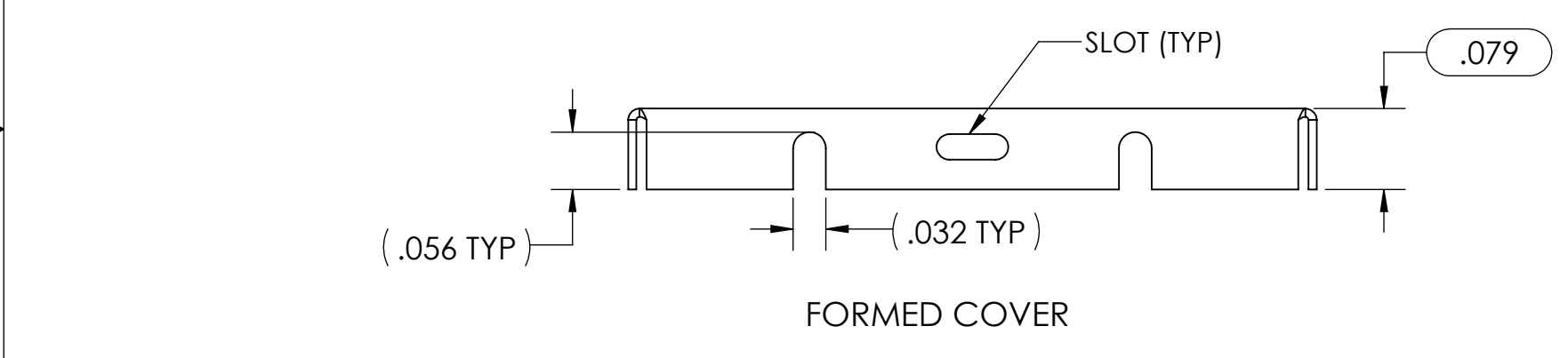
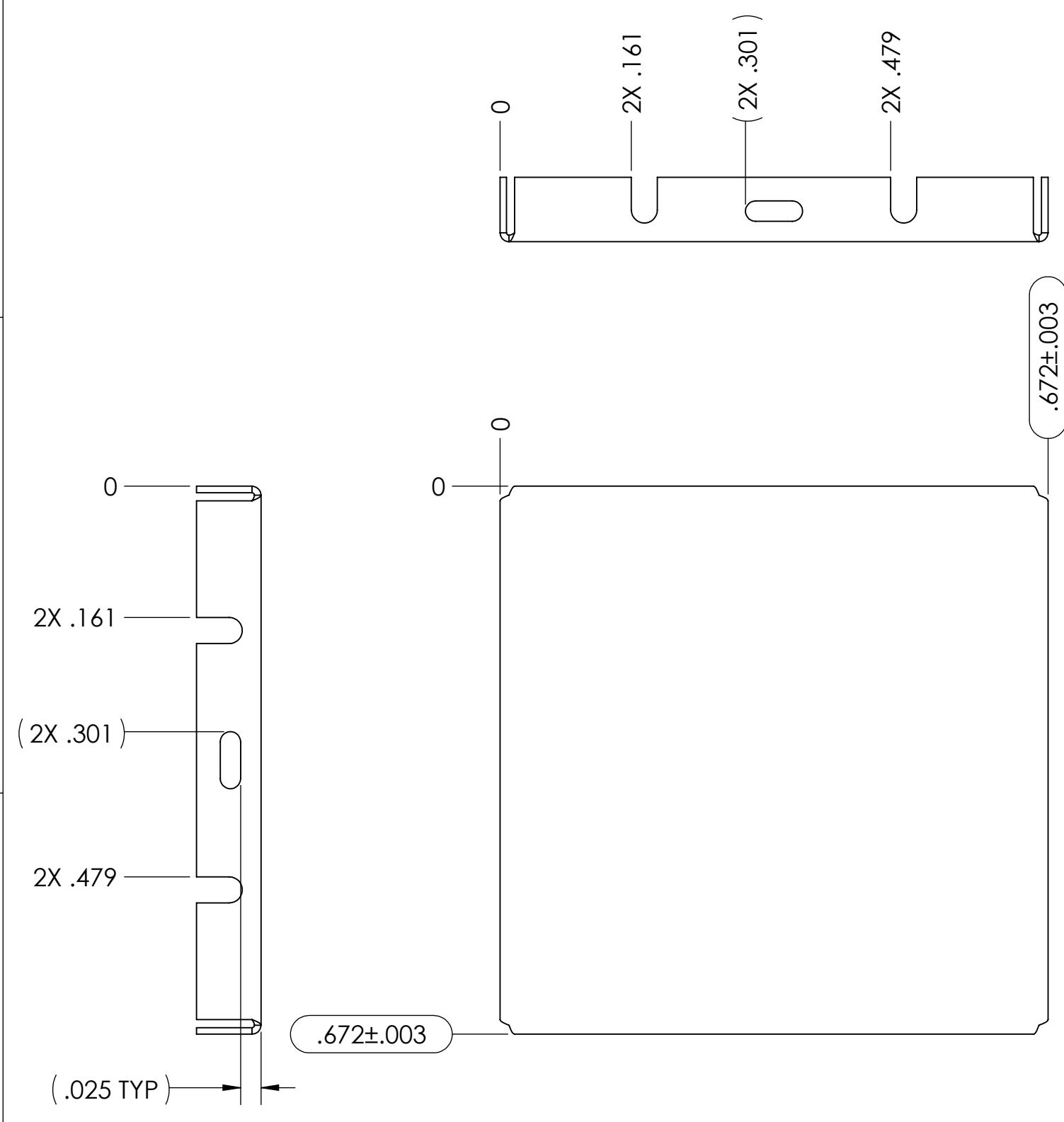
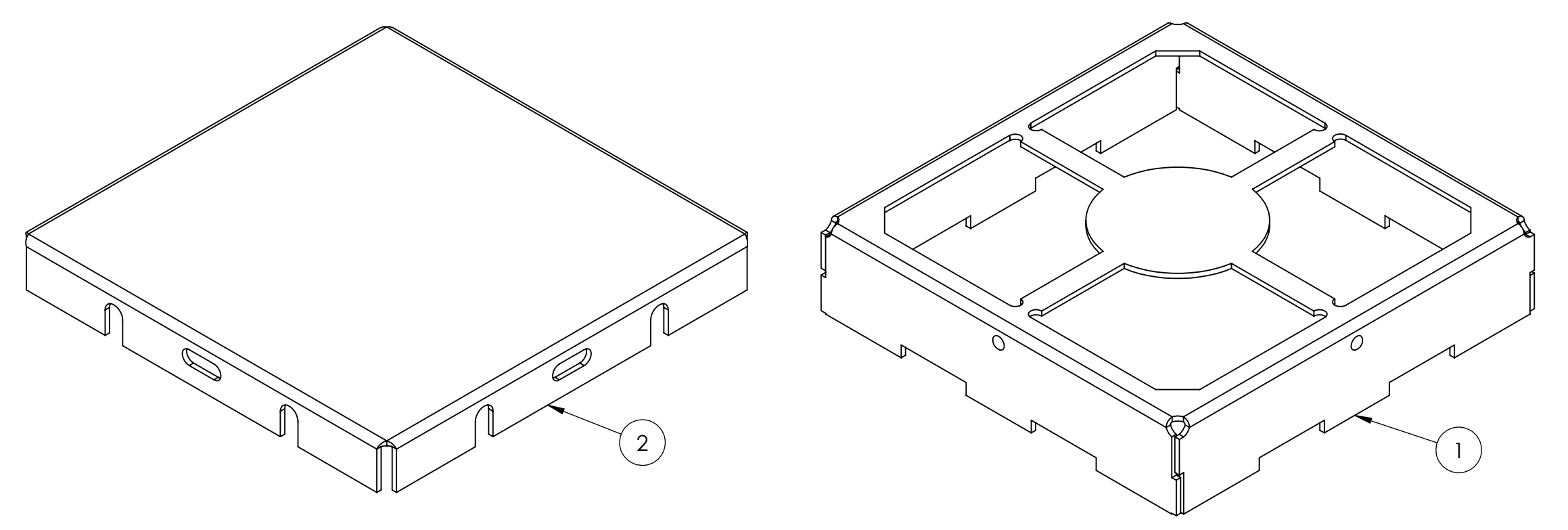


NOTES:
 1. ASSURE ASSEMBLY CAPABILITY BY MATCHING WITH MATING PART

REVISIONS			
REV.	DESCRIPTION	CHANGED BY	APPROVED BY
A1	PRODUCTION RELEASE	-	-



CARRIER TAPE SPECIFICATIONS						
PART NUMBER	DESCRIPTION	OVERALL DIMENSIONS	OVERALL HEIGHT	CARRIER TAPE WIDTH	CARRIER TAPE PITCH	PARTS PER REEL
SMS-402-N-F	FRAME	.650 X .650 [16.51 X 16.51]	.142 [3.60]	32 mm	24 mm	700
SMS-402-N-C	COVER	.672 X .672 [17.07 X 17.07]	.079 [2.01]	N/A	N/A	BULK PACK



ITEM NO.	PART NUMBER	DESCRIPTION	QTY.
1	SMS-402-N-F	FRAME	1
2	SMS-402-N-C	COVER	1

UNLESS OTHERWISE SPECIFIED:
 - ALL DIMENSIONS ARE IN INCHES
 - PART SHALL BE FREE OF BURRS AND SHARP EDGES
 - ALL DIMENSIONS SHOWN APPLY AFTER PLATING AND COATINGS
 - ROHS COMPLIANT PER EU DIRECTIVE 2011/65/EU
 - POI = POINT OF INTERSECTION

THIRD ANGLE PROJECTION

ANGLES +/- 2°

DRAWN BY: ACS 2015-04-16

APPROVED BY:

FRSIC: N/A

MATERIAL: .008" C77000 H02 (ALLOY 770)

SCALE: 6:1

CAGE CODE: 41674

SHEET: 1 OF 1

LEADER TECH
 a HEICO company
 The Leading Edge in PM Manufacturing Technology

TITLE: SURFACE MOUNT SHIELD

REV: A1

THIS DOCUMENT CONTAINS PROPRIETARY INFORMATION OWNED BY LEADERTECH OR DEVELOPED AT ITS OWN PRIVATE EXPENSE AND MAY NOT BE USED, DUPLICATED OR DISCLOSED IN WHOLE OR IN PART FOR ANY PURPOSE INCLUDING DESIGN, MANUFACTURE OR PROCUREMENT WITHOUT THE WRITTEN PERMISSION OF LEADERTECH. LEADERTECH DOES NOT GUARANTEE OR WARRANT THE PERFORMANCE CHARACTERISTICS.