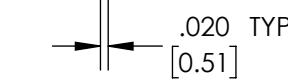
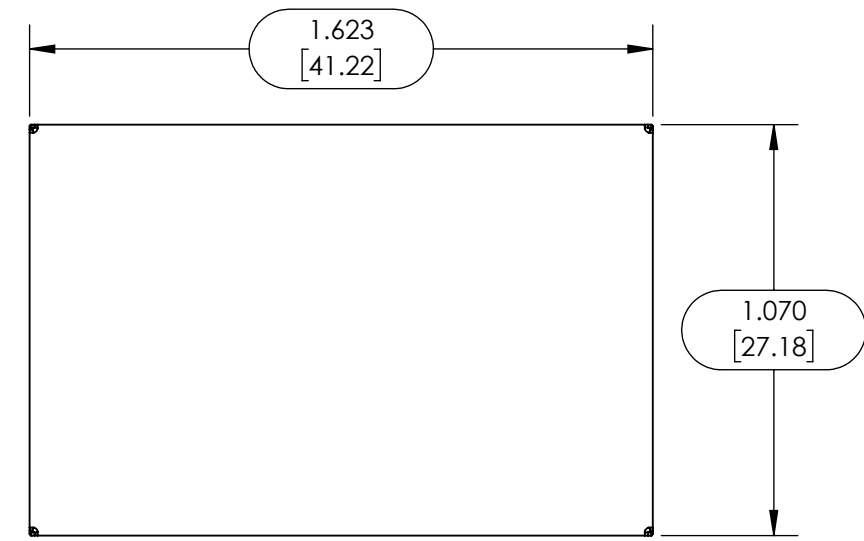
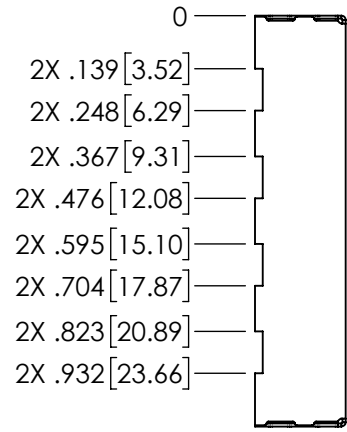
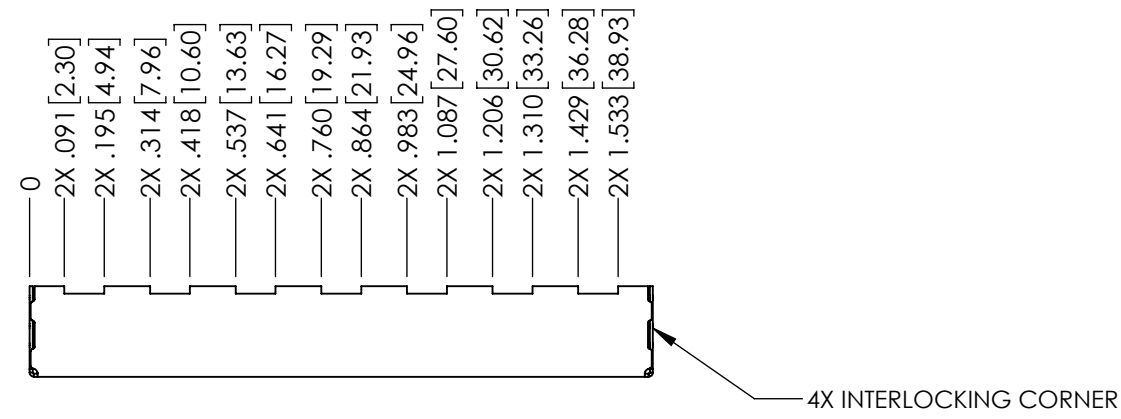
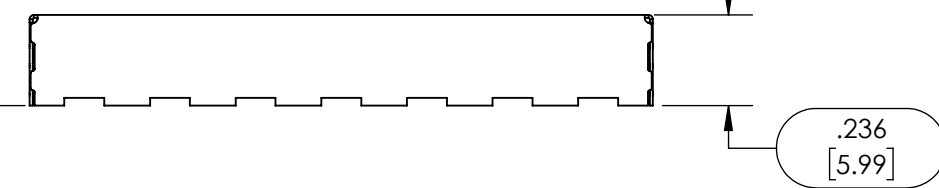


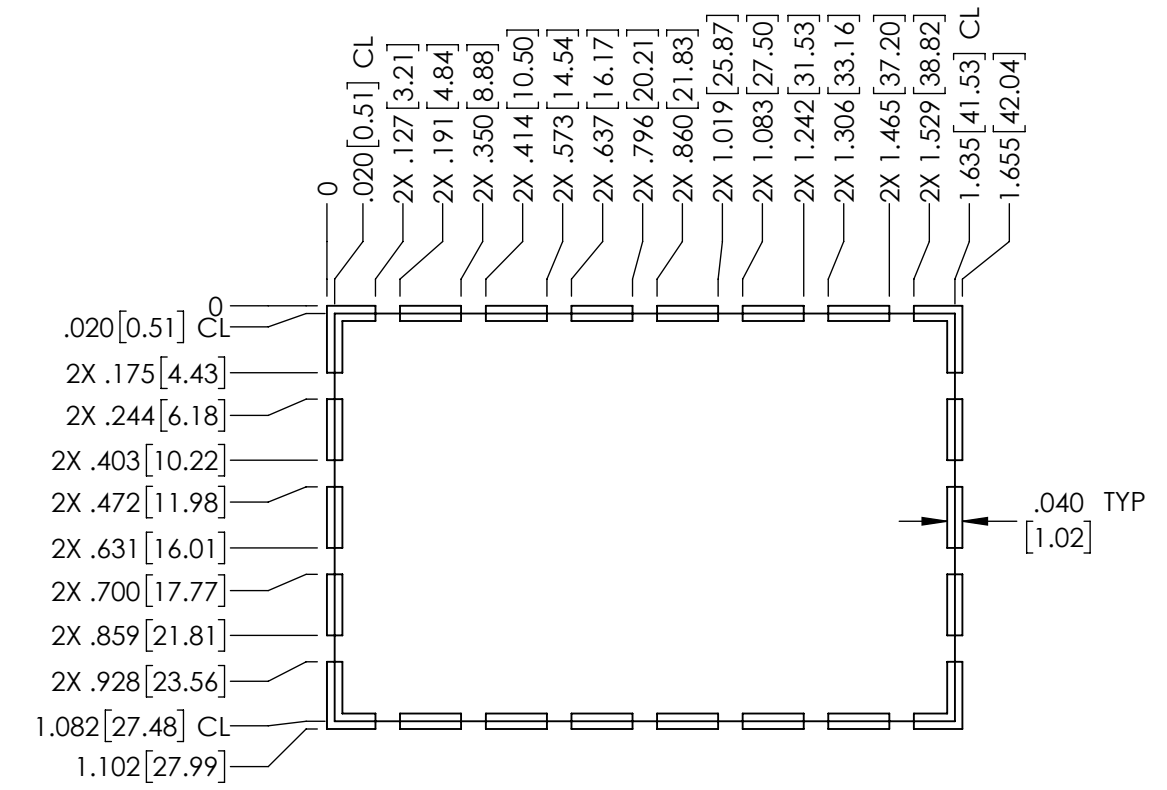
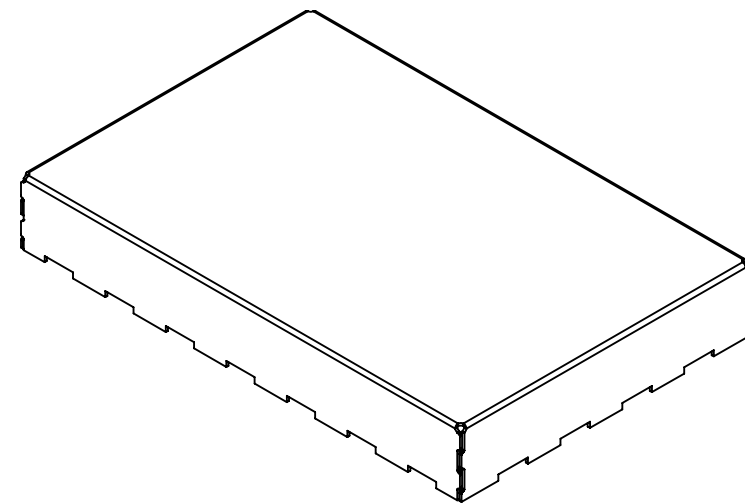
NOTES:  
 1. DIMENSIONS SHOWN IN BRACKETS ARE IN MILLIMETERS



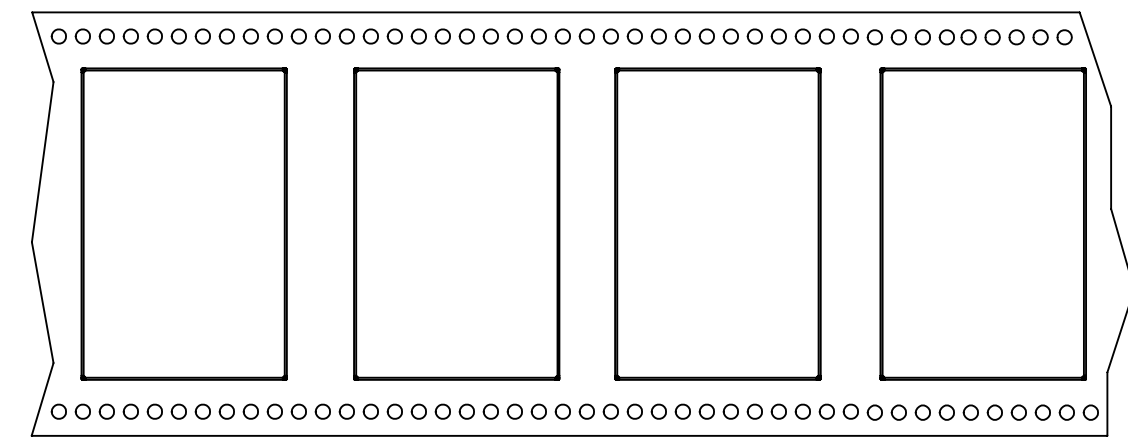
.005 [0.13]  
 ALL SURFACES



FORMED COVER



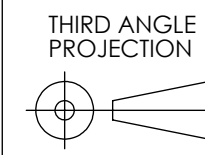
TRACE PATTERN



CARRIER TAPE

CARRIER TAPE SPECIFICATIONS					
PART NUMBER	OVERALL DIMENSIONS	OVERALL HEIGHT	CARRIER TAPE WIDTH	CARRIER TAPE PITCH	PARTS PER REEL
SMS-359	1.070 X 1.623 [27.18 X 41.22]	.236 [5.99]	56 mm	36 mm	230

**UNLESS OTHERWISE SPECIFIED:**  
 - ALL DIMENSIONS ARE IN INCHES  
 - PART SHALL BE FREE OF BURRS AND SHARP EDGES  
 - ALL DIMENSIONS SHOWN APPLY AFTER PLATING AND COATINGS  
 - RoHS COMPLIANT PER EU DIRECTIVE 2011/65/EU  
 - POI = POINT OF INTERSECTION



TITLE: SURFACE MOUNT SHIELD

ANGLES +/- 2°

DRAWN BY: JG 2016-09-23 APPROVED BY:

FINISH: MATTE

MATERIAL: .008" [0.20mm] PRE TIN STEEL

SIZE: C DWG. NO.: SMS-359 REV: A

SCALE: 2:1 CAGE CODE: 4J674 SHEET: 1 OF 1

THIS DOCUMENT CONTAINS PROPRIETARY INFORMATION OWNED BY LEADERTECH, OR DEVELOPED AT ITS OWN PRIVATE EXPENSE, AND MAY NOT BE USED, DUPLICATED OR DISCLOSED IN WHOLE OR IN PART FOR ANY PURPOSE INCLUDING DESIGN, MANUFACTURE OR PROCUREMENT WITHOUT THE WRITTEN PERMISSION OF LEADERTECH. LEADERTECH DOES NOT GUARANTEE OR WARRANTY THE PERFORMANCE CHARACTERISTICS.