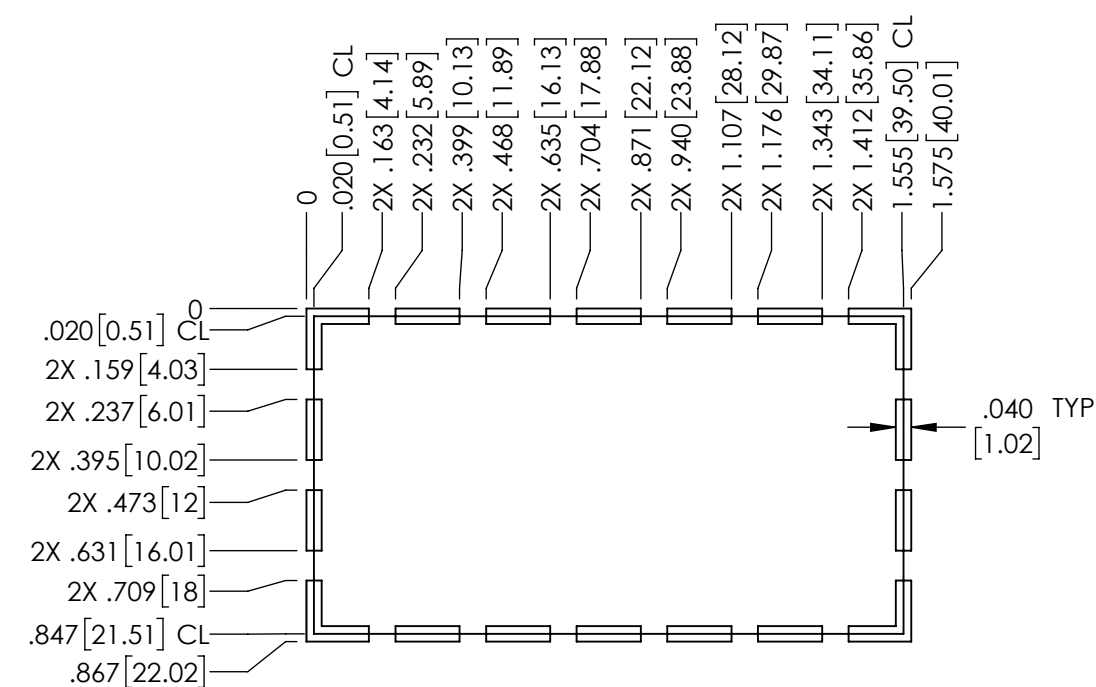
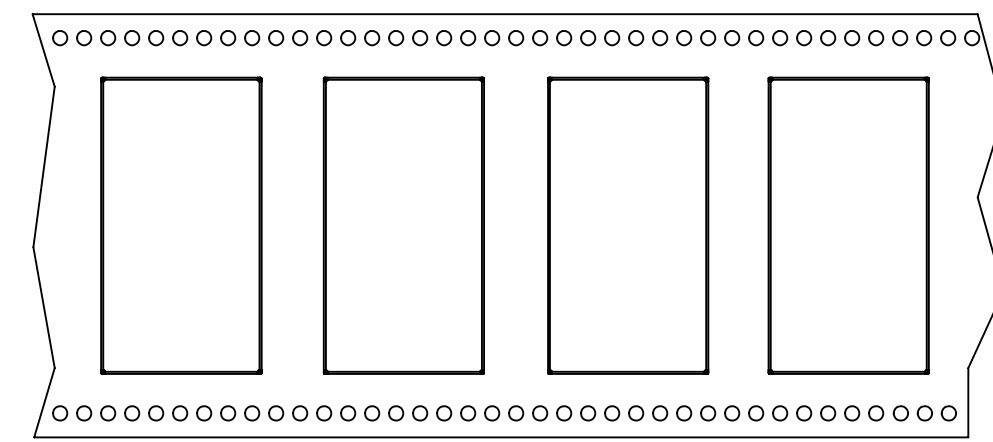


NOTES:
 1. DIMENSIONS SHOWN IN BRACKETS ARE IN MILLIMETERS



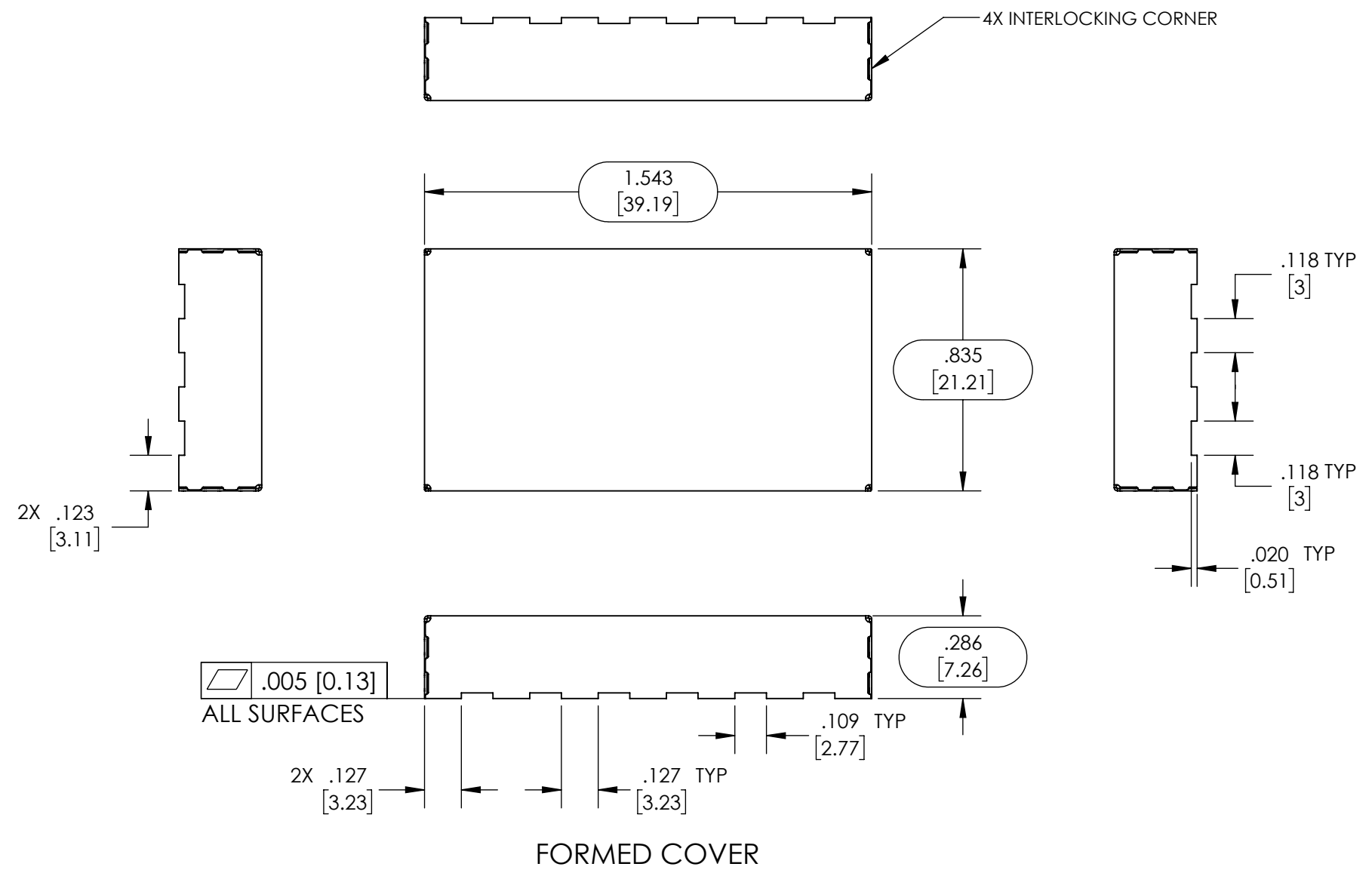
TRACE PATTERN



CARRIER TAPE



CARRIER TAPE SPECIFICATIONS					
PART NUMBER	OVERALL DIMENSIONS	OVERALL HEIGHT	CARRIER TAPE WIDTH	CARRIER TAPE PITCH	PARTS PER REEL
SMS-356	0.835 X 1.543 [21.21 X 39.19]	.286 [7.26]	56 mm	28 mm	280



FORMED COVER

UNLESS OTHERWISE SPECIFIED: - ALL DIMENSIONS ARE IN INCHES - PART SHALL BE FREE OF BURRS AND SHARP EDGES - ALL DIMENSIONS SHOWN APPLY AFTER PLATINGS AND COATINGS - ROHS COMPLIANT PER EU DIRECTIVE 2011/65/EU - POI = POINT OF INTERSECTION			THIRD ANGLE PROJECTION 	 a HEICO company <i>The Leading Edge in EMI Shielding Technology</i>	
.XXX +/- .005 .XX +/- .010 .X +/- .020 ANGLES +/- 2°			TITLE: SURFACE MOUNT SHIELD		
DRAWN BY: JG 2016-09-23		APPROVED BY:		SIZE: C	DWG. NO.: SMS-356
MATERIAL: .008" [0.20] PRE TIN STEEL			REV: A	SCALE: 2:1	SHEET: 1 OF 1

THIS DOCUMENT CONTAINS PROPRIETARY INFORMATION OWNED BY LEADERTECH, OR DEVELOPED AT ITS OWN PRIVATE EXPENSE, AND MAY NOT BE USED, DUPLICATED OR DISCLOSED IN WHOLE OR IN PART FOR ANY PURPOSE INCLUDING DESIGN, MANUFACTURE OR PROCUREMENT WITHOUT THE WRITTEN PERMISSION OF LEADERTECH. LEADERTECH DOES NOT GUARANTEE OR WARRANTY THE PERFORMANCE CHARACTERISTICS.