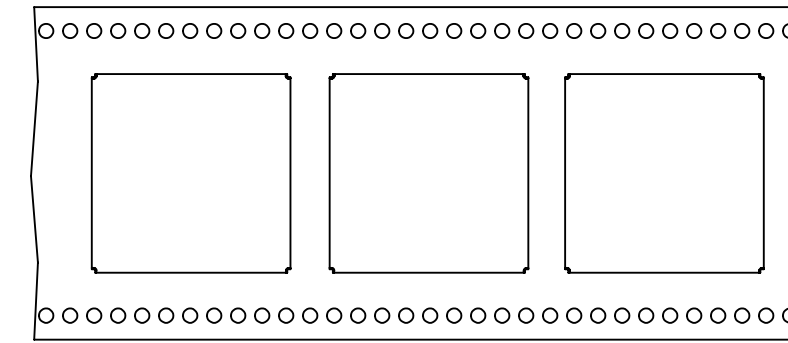
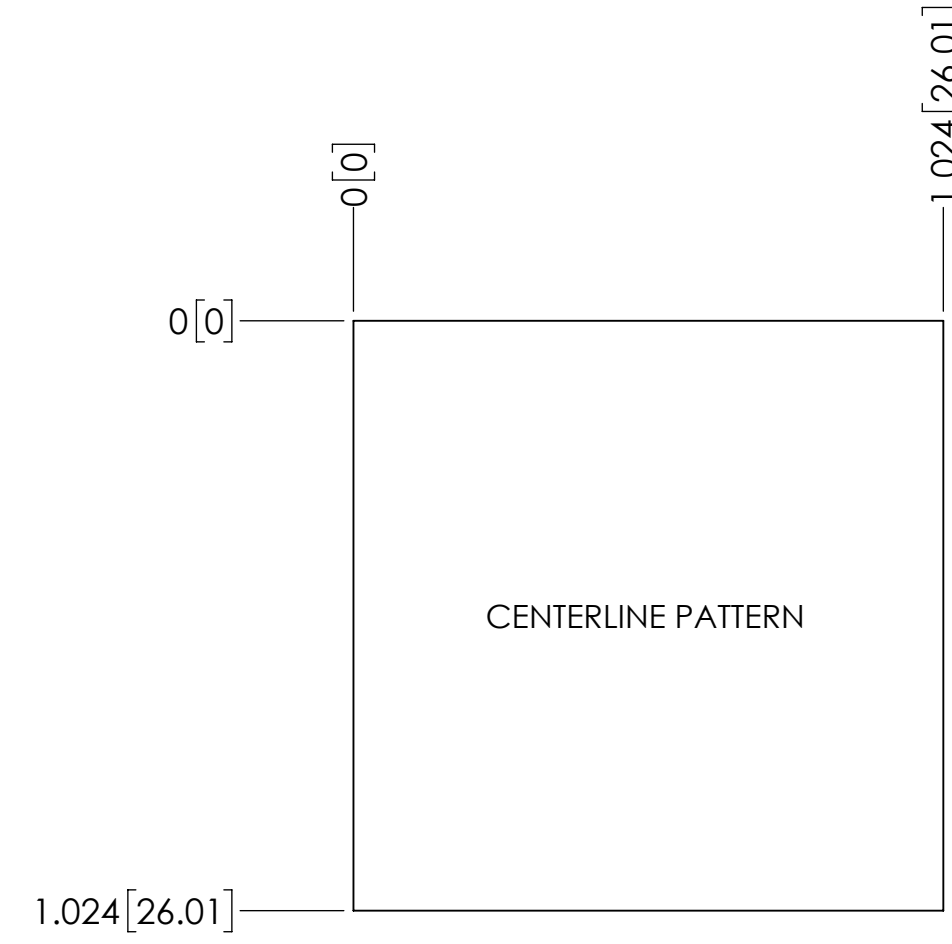
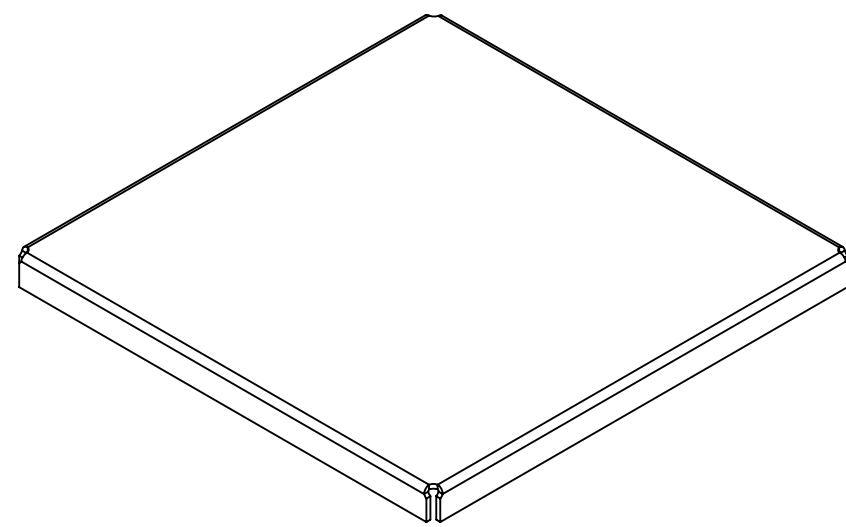
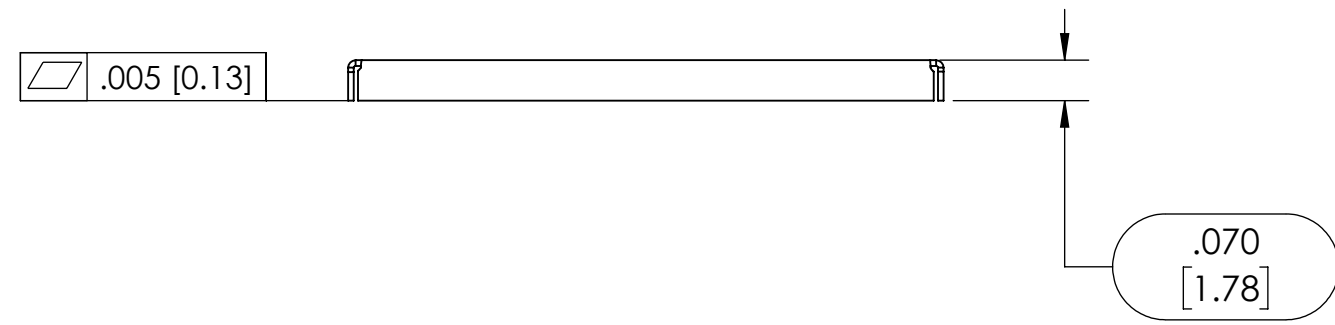
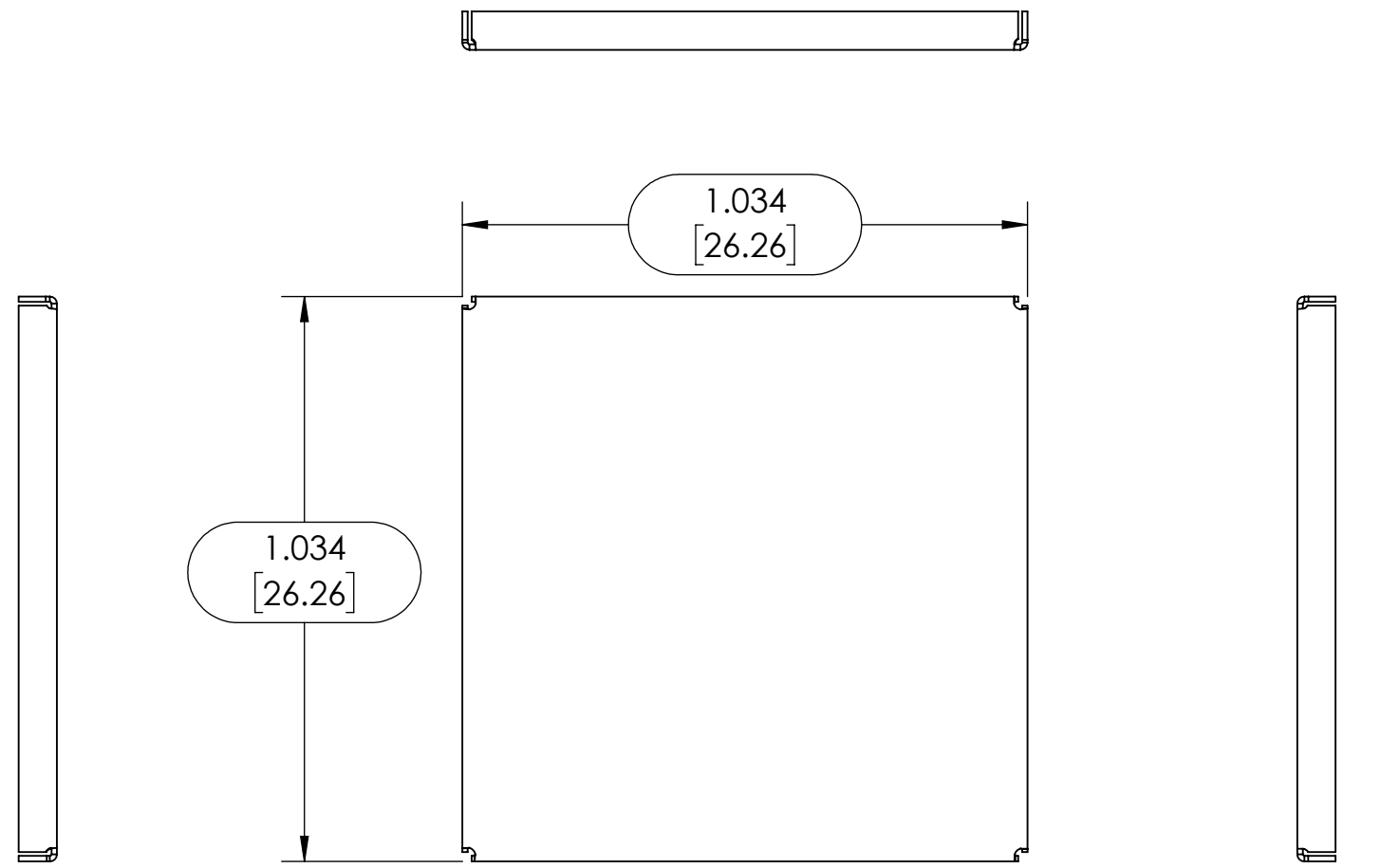


NOTES:

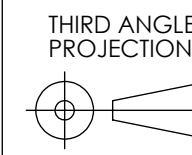
1. DIMENSIONS IN BRACKETS ARE IN MILLIMETERS



CARRIER TAPE

CARRIER TAPE SPECIFICATIONS						
PART NUMBER	DESCRIPTION	OVERALL DIMENSION	OVERALL HEIGHT	CARRIER TAPE WIDTH	CARRIER TAPE PITCH	PARTS PER REEL
SMS-352	FRAME	1.034 X 1.034 [26.26 X 26.26]	.070 [1.778]	44mm	32mm	600

UNLESS OTHERWISE SPECIFIED:
 - ALL DIMENSIONS ARE IN INCHES
 - PART SHALL BE FREE OF BURRS AND SHARP EDGES
 - ALL DIMENSIONS SHOWN APPLY AFTER PLATINGS AND COATINGS
 - RoHS COMPLIANT PER EU DIRECTIVE 2011/65/EU
 - POI = POINT OF INTERSECTION



ANGLES +/- 2°

DRAWN BY: SDH 2016-09-22 APPROVED BY: ND 2016-10-03

TITLE: SURFACE MOUNT SHIELD

THIS DOCUMENT CONTAINS PROPRIETARY INFORMATION OWNED BY LEADERTECH, OR DEVELOPED AT ITS OWN PRIVATE EXPENSE, AND MAY NOT BE USED, DUPLICATED OR DISCLOSED IN WHOLE OR IN PART FOR ANY PURPOSE INCLUDING DESIGN, MANUFACTURE OR PROCUREMENT WITHOUT THE WRITTEN PERMISSION OF LEADERTECH. LEADERTECH DOES NOT GUARANTEE OR WARRANTY THE PERFORMANCE CHARACTERISTICS.

FINISH: N/A
 MATERIAL: .010 [0.25] C77000 H02 (ALLOY 770) PER ASTM B122/B122M

SIZE: C DWG. NO.: SMS-352-N REV: B
 SCALE: 3:1 CAGE CODE: 4J674 SHEET: 1 OF 1