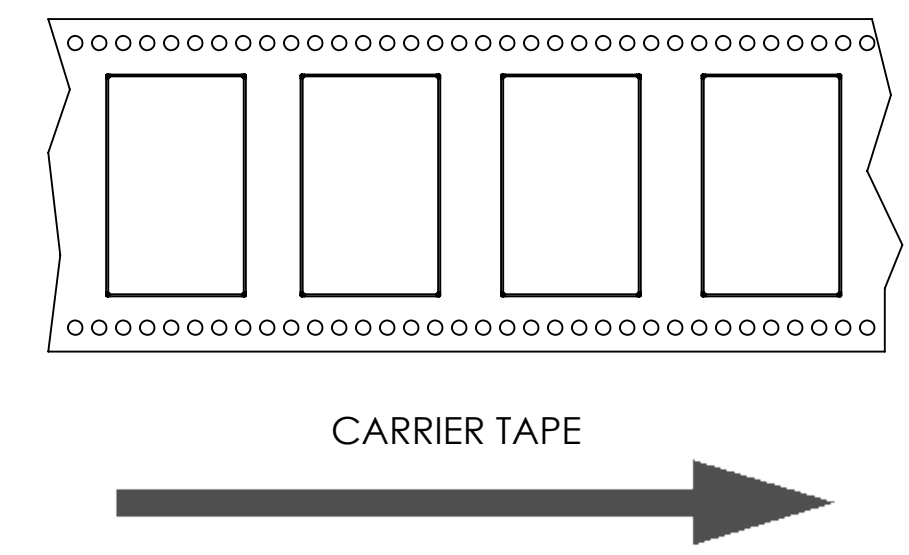
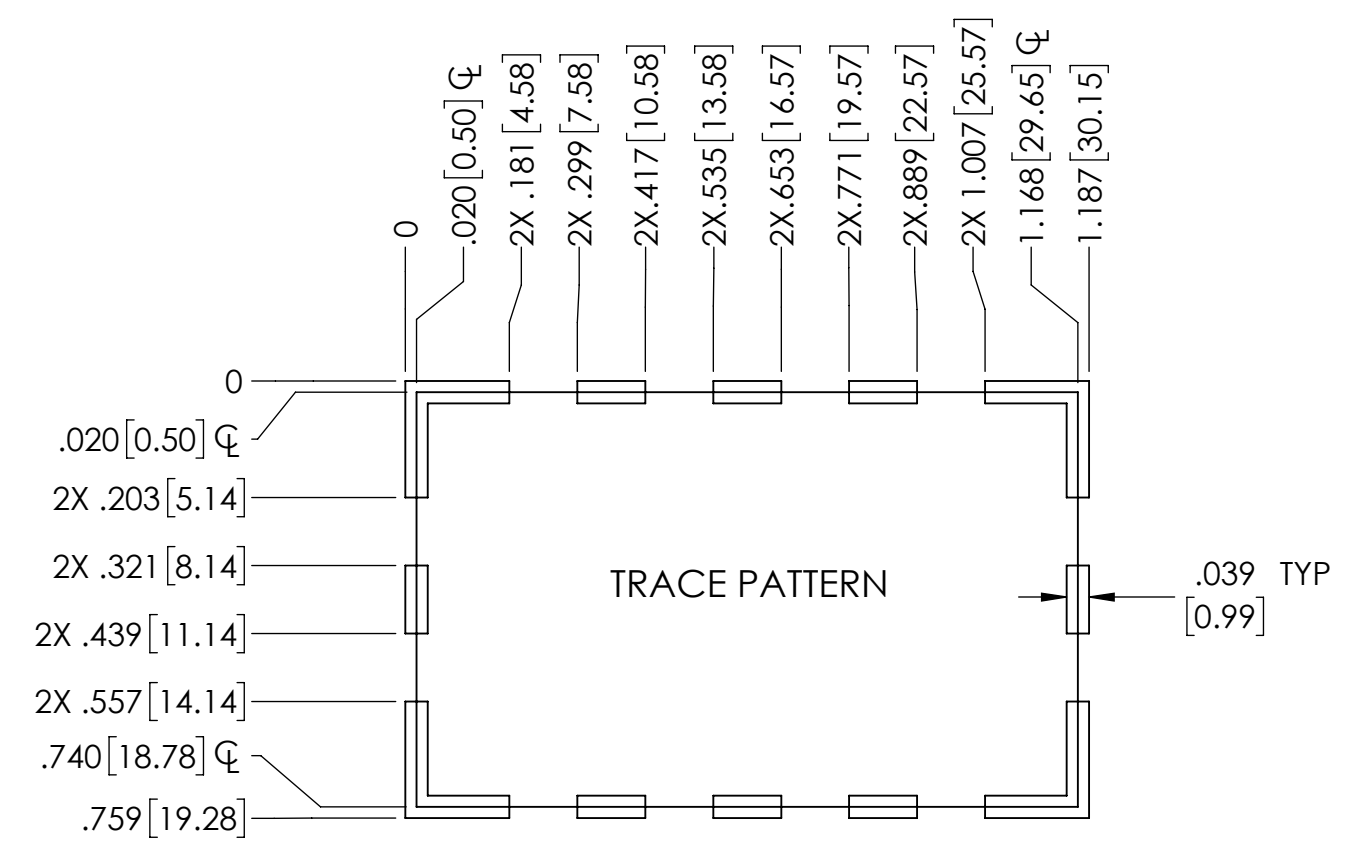
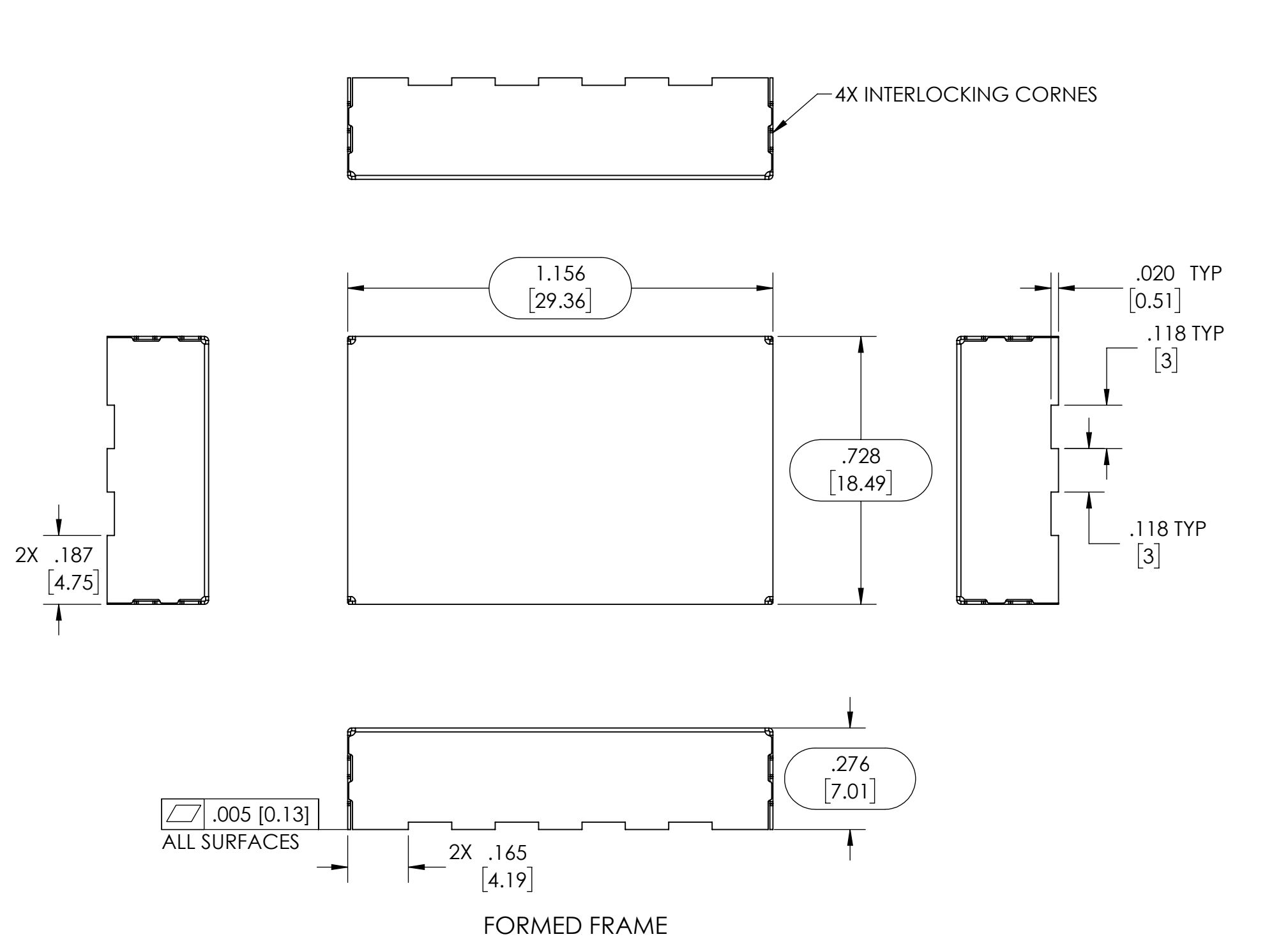
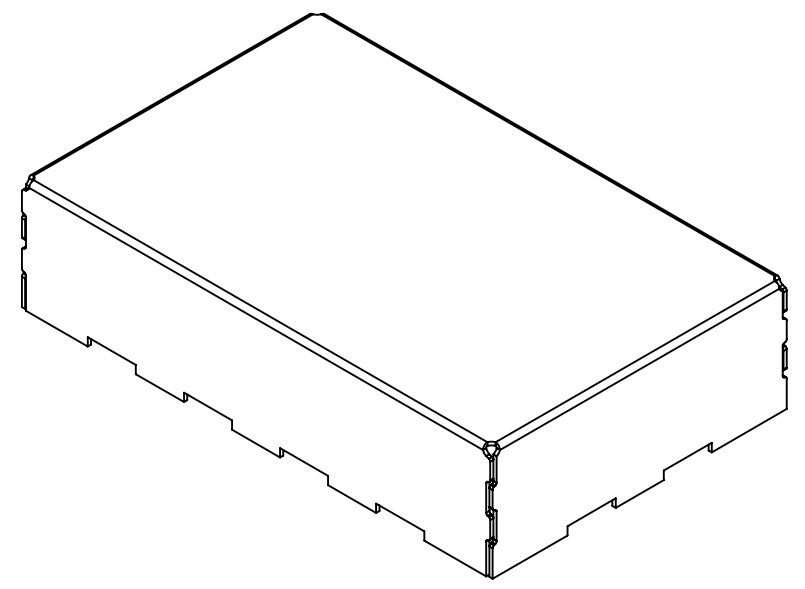


NOTES:

1. DIMENSIONS SHOWN IN BRACKETS ARE IN MILLIMETERS



CARRIER TAPE SPECIFICATIONS					
PART NUMBER	OVERALL DIMENSIONS	OVERALL HEIGHT	CARRIER TAPE WIDTH	CARRIER TAPE PITCH	PARTS PER REEL
SMS-309-N	1.156 X 0.728 (29.36 X 18.49)	.276 (7.01)	44 mm	28 mm	325



UNLESS OTHERWISE SPECIFIED:
 - ALL DIMENSIONS ARE IN INCHES
 - PART SHALL BE FREE OF BURRS AND SHARP EDGES
 - ALL DIMENSIONS SHOWN APPLY BEFORE PLATINGS AND COATINGS
 - RoHS COMPLIANT PER EU DIRECTIVE 2011/65/EU
 - POI = POINT OF INTERSECTION

THIRD ANGLE PROJECTION

LEADER TECH
 a HEICO company
The Leading Edge in EMI Shielding Technology

TITLE: SURFACE MOUNT SHIELD

DRAWN BY: JG 2016-09-22 APPROVED BY: ND 2016-11-07

FINISH: N/A

MATERIAL: 0.008" [0.20] C77000 H02 (ALLOY 770)

SCALE: 3:1 CAGE CODE: 4J674 SHEET: 1 OF 1

THIS DOCUMENT CONTAINS PROPRIETARY INFORMATION OWNED BY LEADERTECH, OR DEVELOPED AT ITS OWN PRIVATE EXPENSE, AND MAY NOT BE USED, DUPLICATED OR DISCLOSED IN WHOLE OR IN PART FOR ANY PURPOSE INCLUDING DESIGN, MANUFACTURE OR PROCUREMENT WITHOUT THE WRITTEN PERMISSION OF LEADERTECH. LEADERTECH DOES NOT GUARANTEE OR WARRANTY THE PERFORMANCE CHARACTERISTICS.