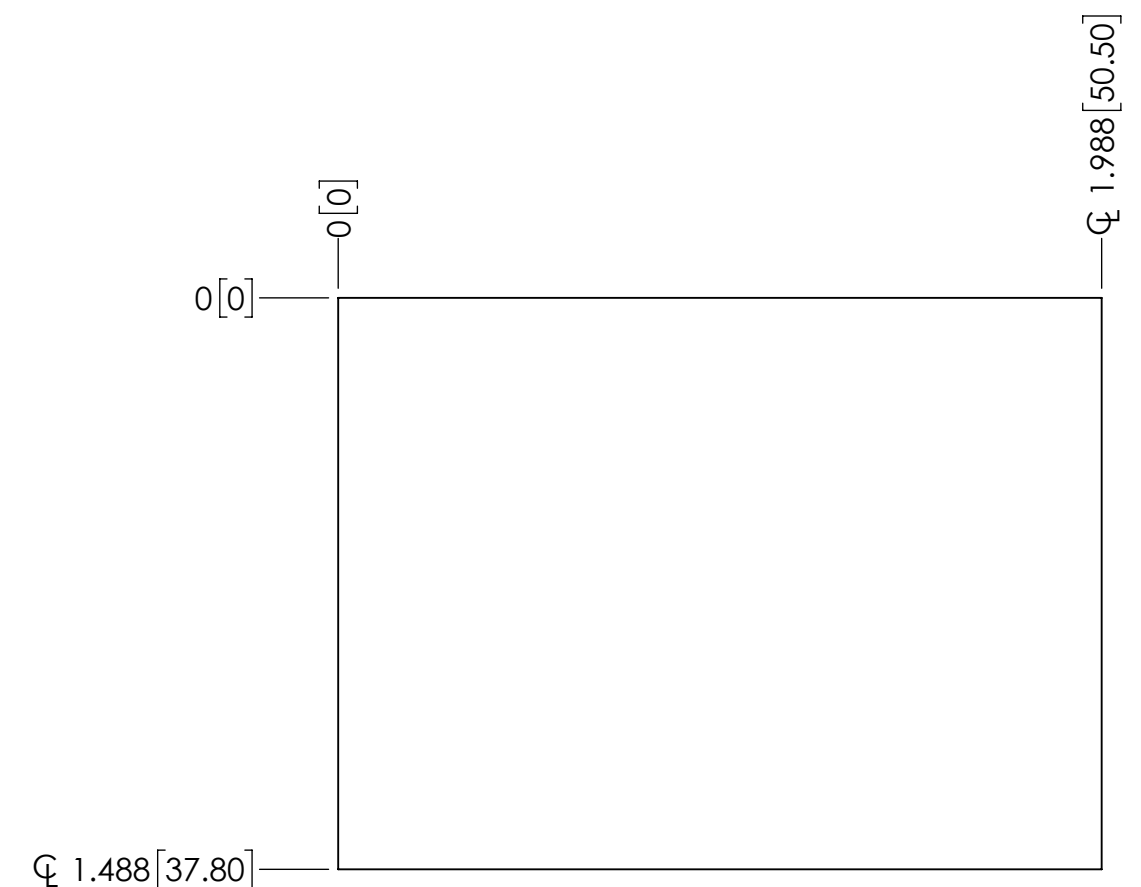
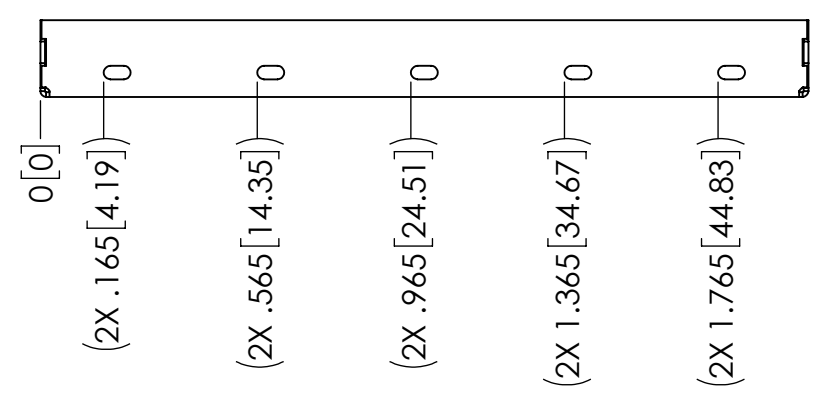
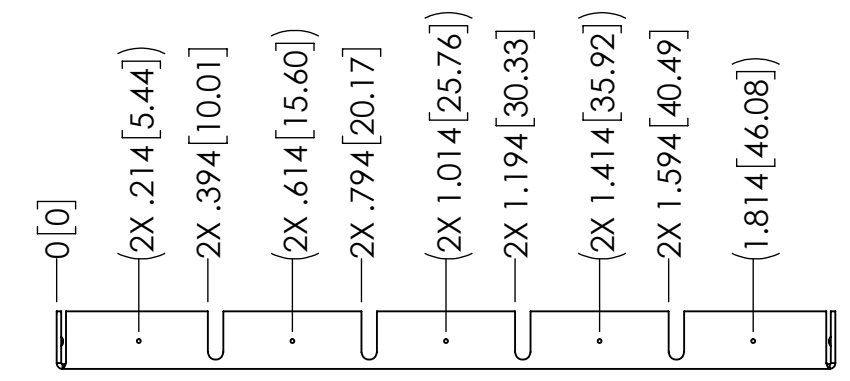
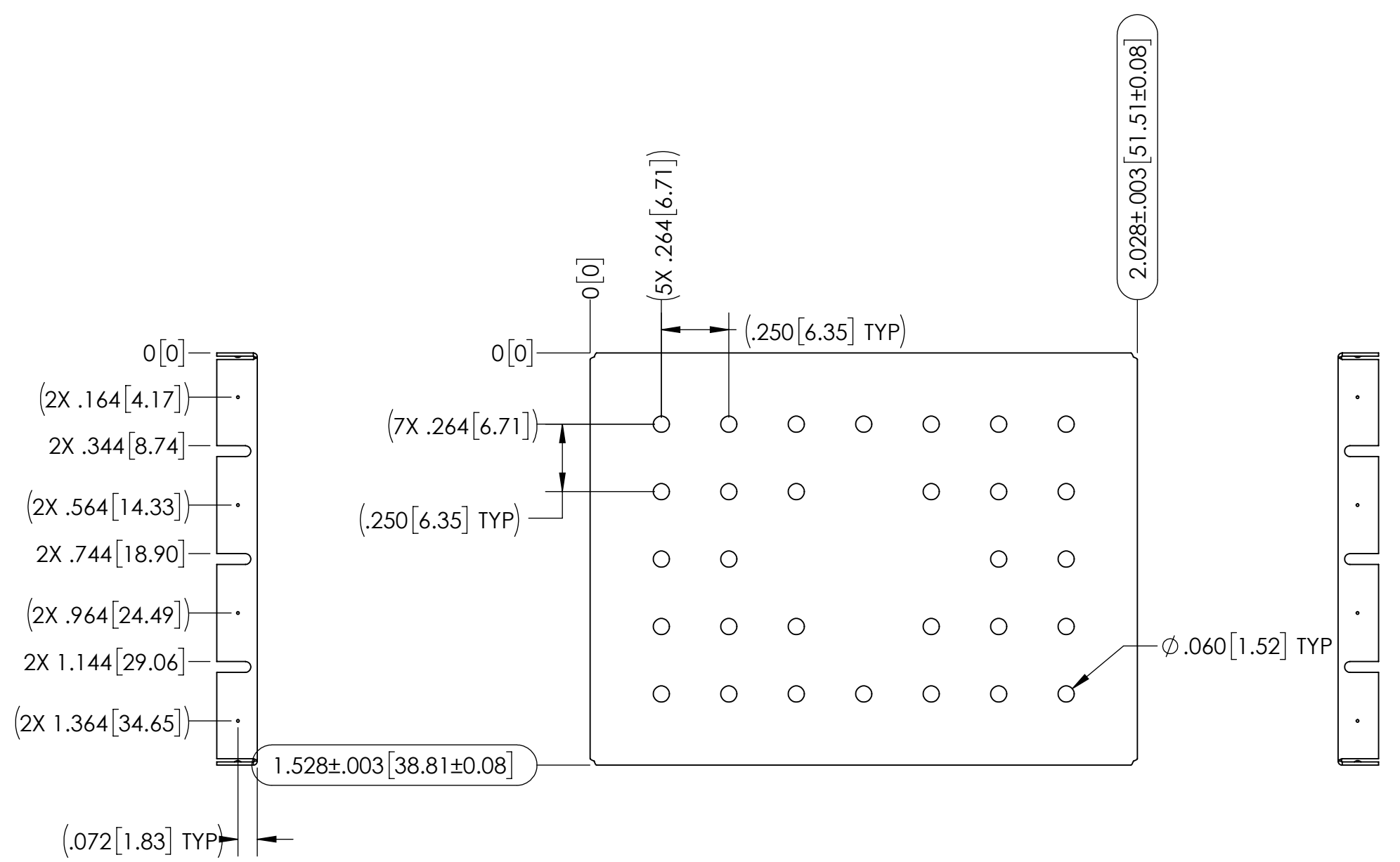


NOTES:

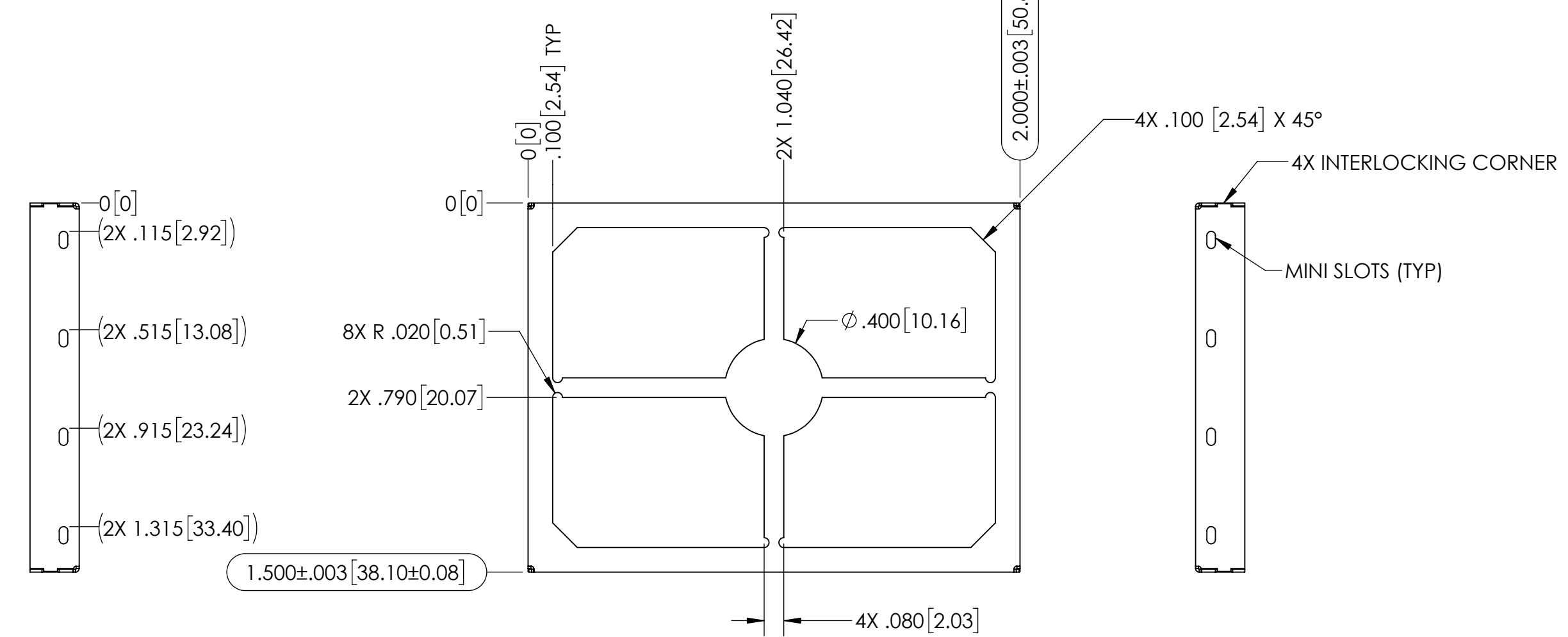
1. ASSURE ASSEMBLY CAPABILITY BY MATCHING WITH MATING PART
2. MINI DIMPLE (TYP): SIZE FOR BEST FIT WITH COVER, FAR SIDE PROTRUSION



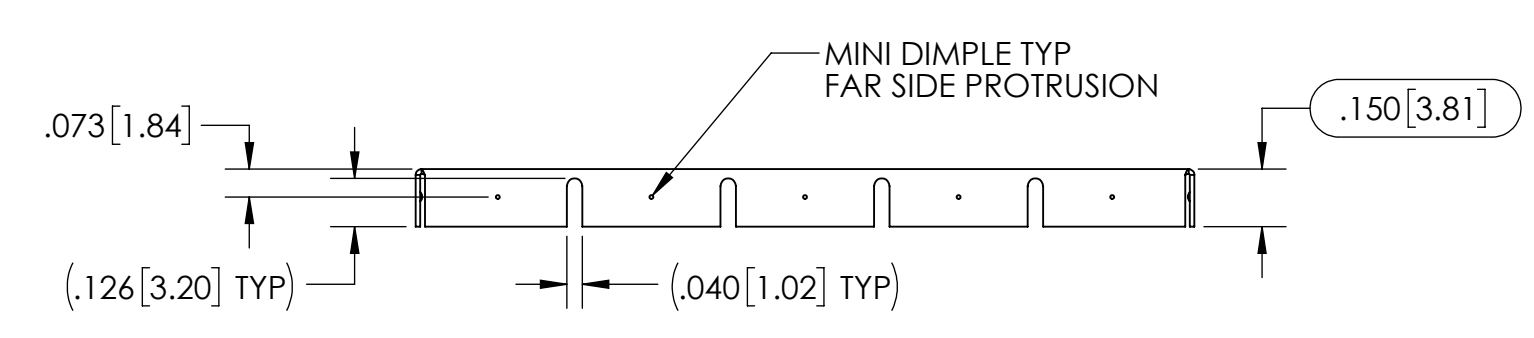
CENTERLINE PATTERN



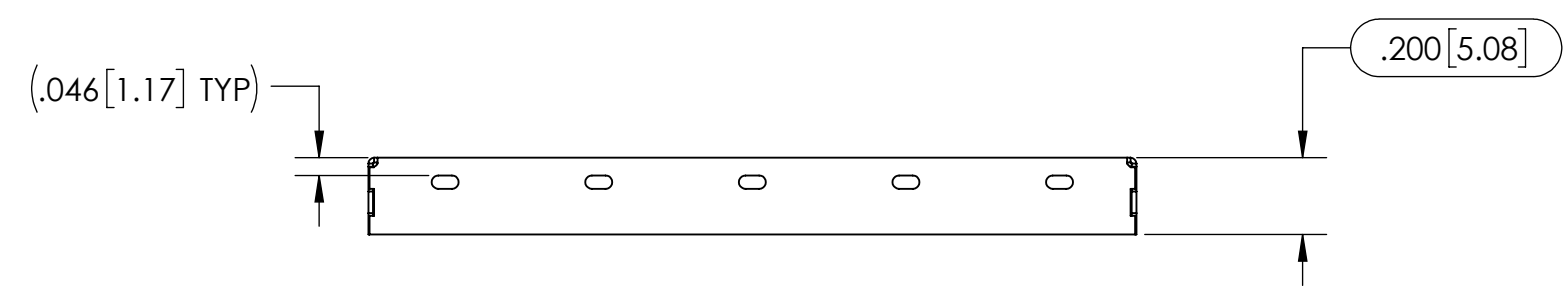
FORMED COVER



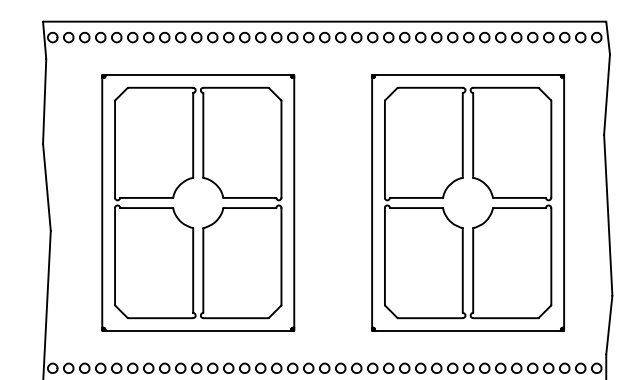
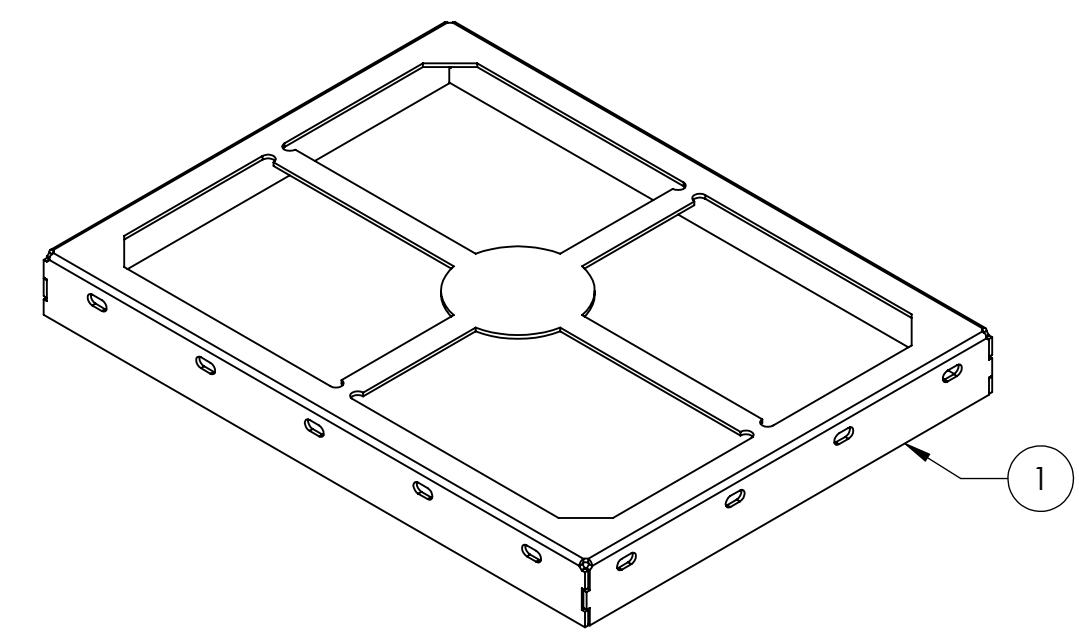
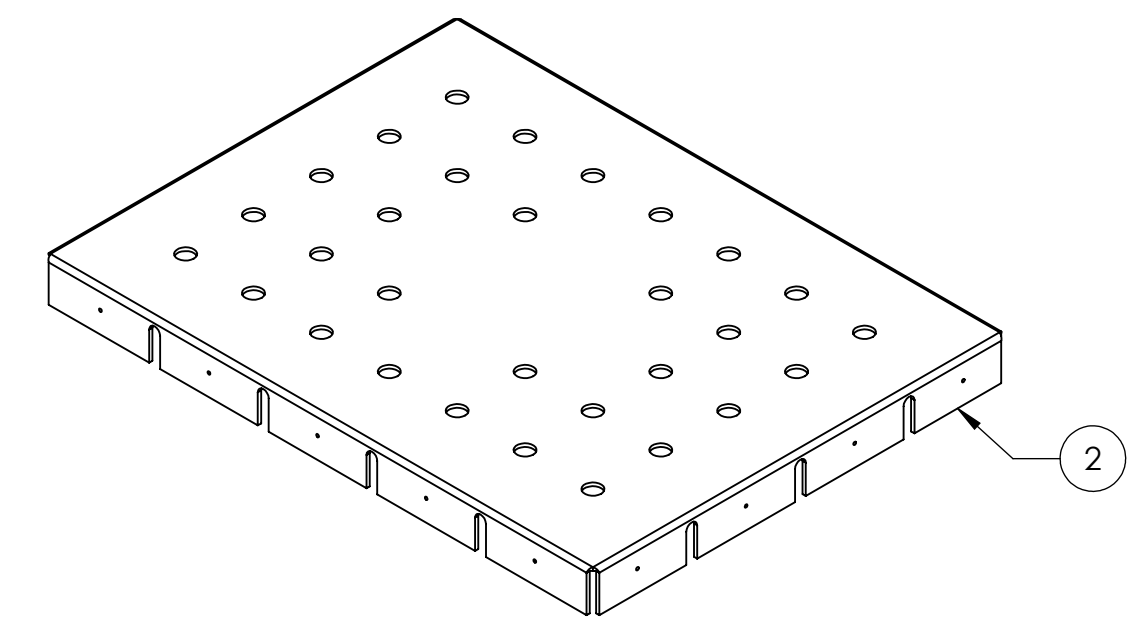
FORMED FRAME



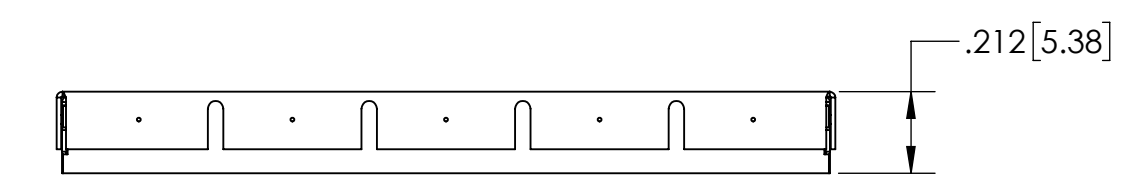
FORMED COVER



FORMED FRAME



CARRIER TAPE



ASSEMBLY

CARRIER TAPE SPECIFICATIONS						
PART NUMBER	DESCRIPTION	OVERALL DIMENSIONS	OVERALL HEIGHT	CARRIER TAPE WIDTH	CARRIER TAPE PITCH	PARTS PER REEL
SMS-251F	FRAME	2.000 X 1.500 [50.80 X 38.10]	.200 [5.08]	72 mm	48 mm	250
SMS-251C	COVER	2.028 X 1.528 [51.51 X 38.81]	.150 [3.81]	N/A	N/A	BULK PACK

THIS DOCUMENT CONTAINS PROPRIETARY INFORMATION OWNED BY LEADERTECH OR DEVELOPED AT ITS OWN PRIVATE EXPENSE AND MAY NOT BE USED, DUPLICATED OR DISCLOSED IN WHOLE OR IN PART FOR ANY PURPOSE INCLUDING DESIGN, MANUFACTURE OR PROCUREMENT WITHOUT THE WRITTEN PERMISSION OF LEADERTECH. LEADERTECH DOES NOT GUARANTEE OR WARRANT THE PERFORMANCE CHARACTERISTICS.

ITEM NO.	PART NUMBER	DESCRIPTION	QTY.
1	SMS-251 F	FRAME	1
2	SMS-251 C	COVER	1

UNLESS OTHERWISE SPECIFIED: - ALL DIMENSIONS ARE IN INCHES - PART SHALL BE FREE OF BURRS AND SHARP EDGES - ALL DIMENSIONS SHOWN APPLY AFTER PLATING AND COATINGS - ROHS COMPLIANT PER EU DIRECTIVE 2011/65/EU - POI = POINT OF INTERSECTION		THIRD ANGLE PROJECTION		
.XXX +/- .005 .XX +/- .010 .X +/- .020		ANGLES +/- 2°		
DRAWN BY:	APPROVED BY:	TITLE: SURFACE MOUNT SHIELD		
JG	2010/06/11	LMD	2010/06/11	REV: F
MATERIAL:	SCALE:		DWG. NO.:	CAGE CODE:
.012" - PRE TIN STEEL	2:1		4J674	SHEER: 1 OF 1