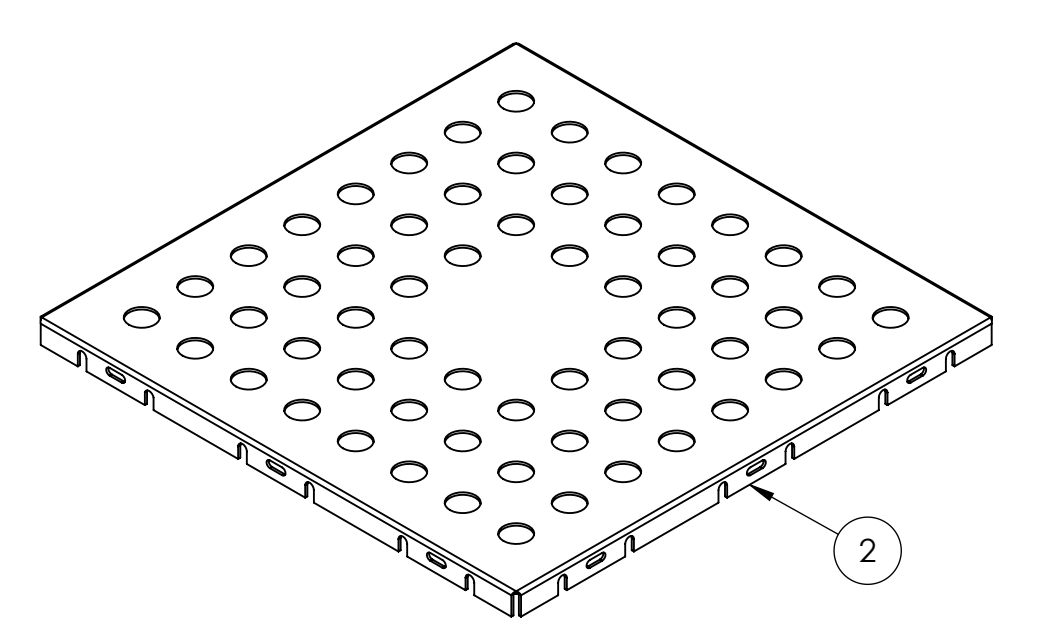
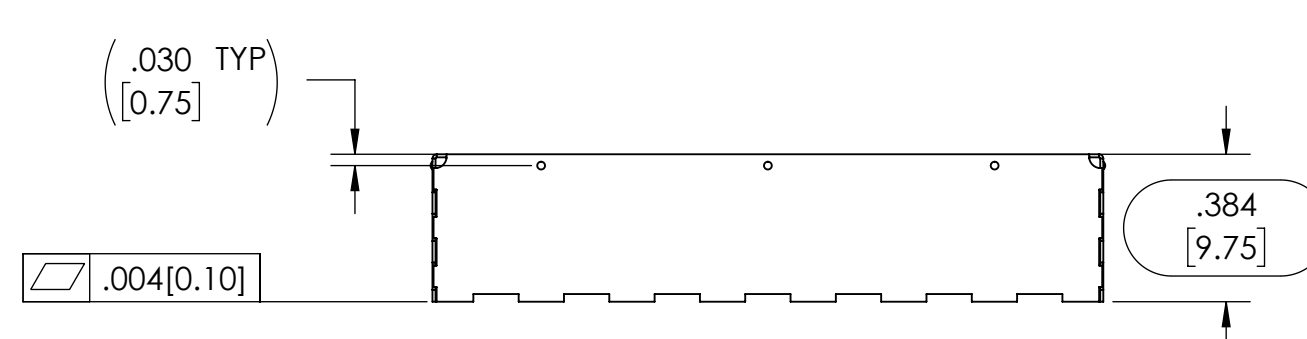
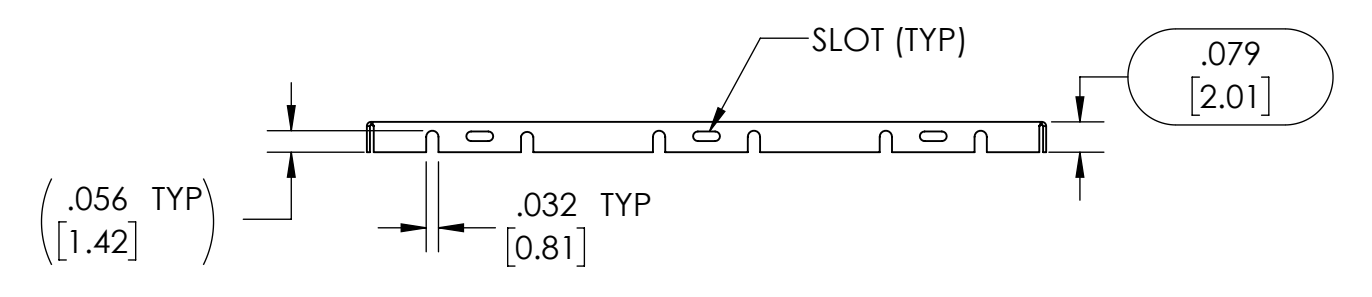
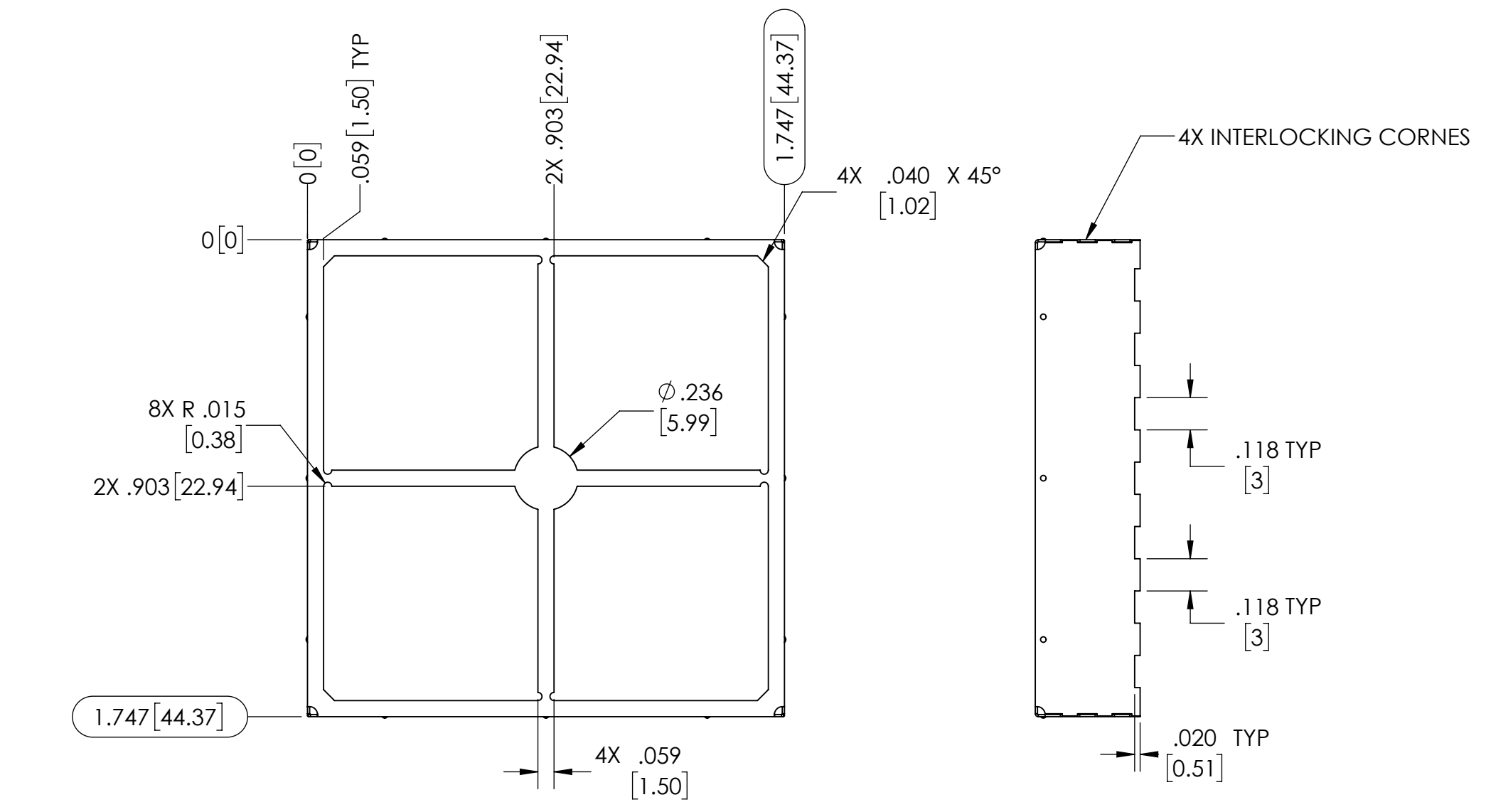
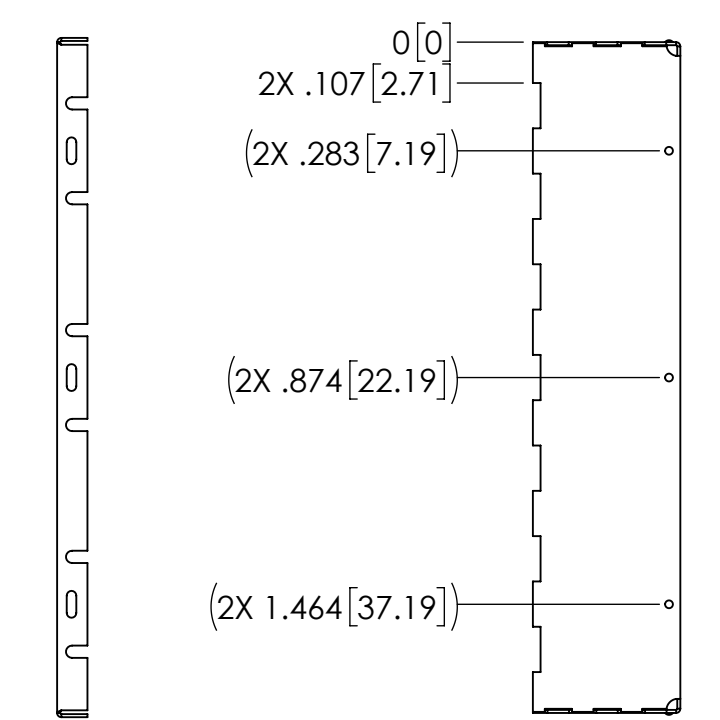
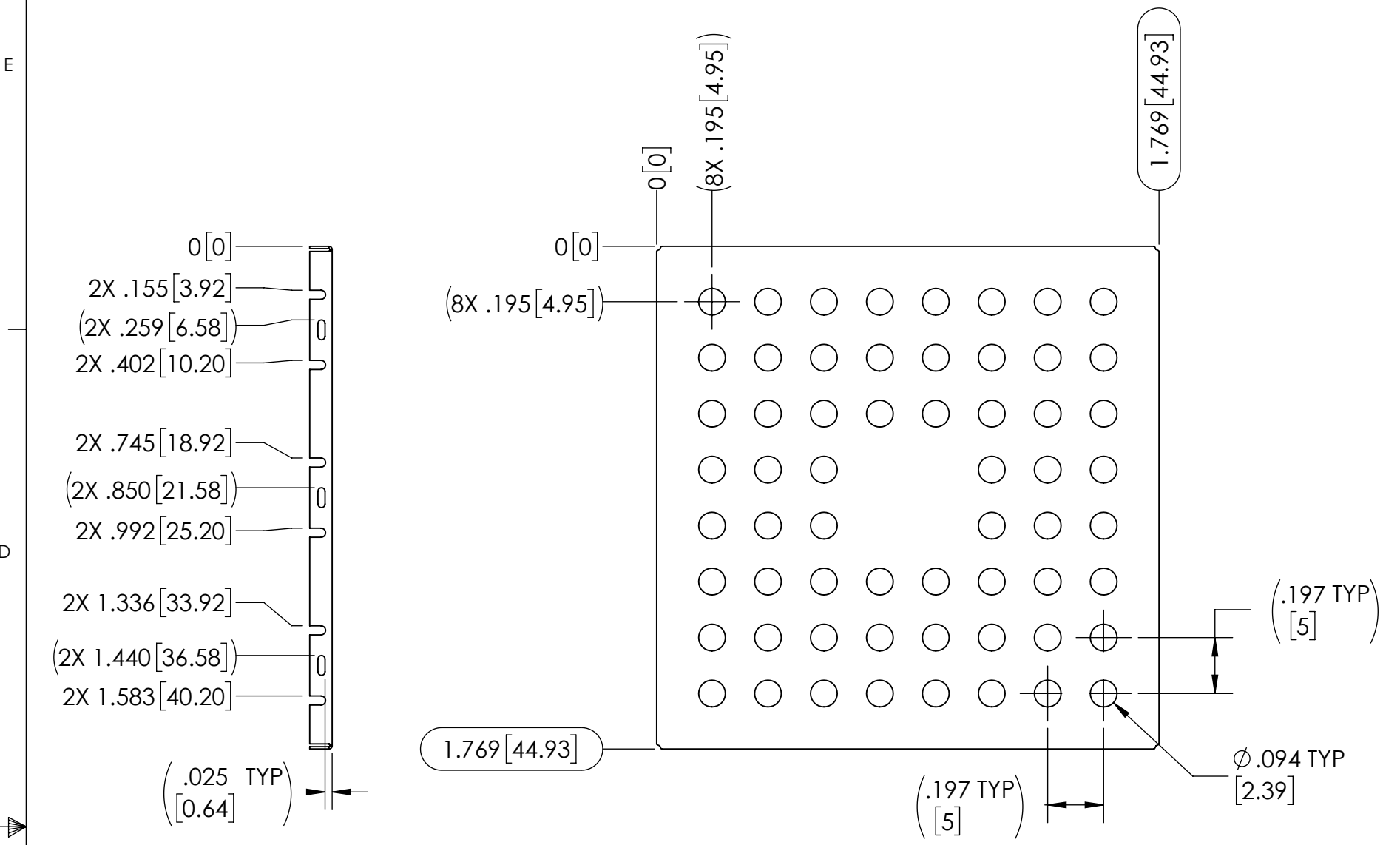
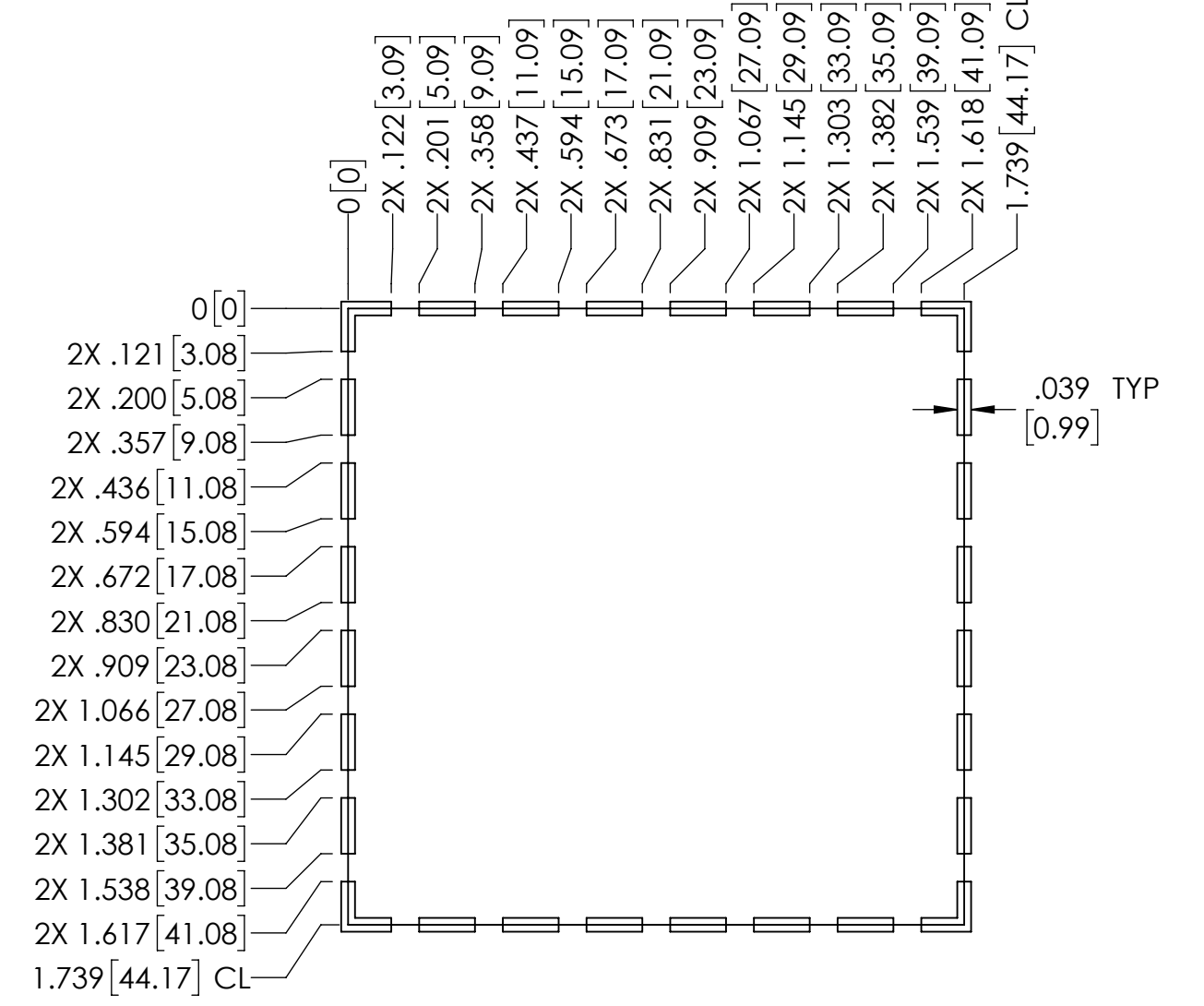
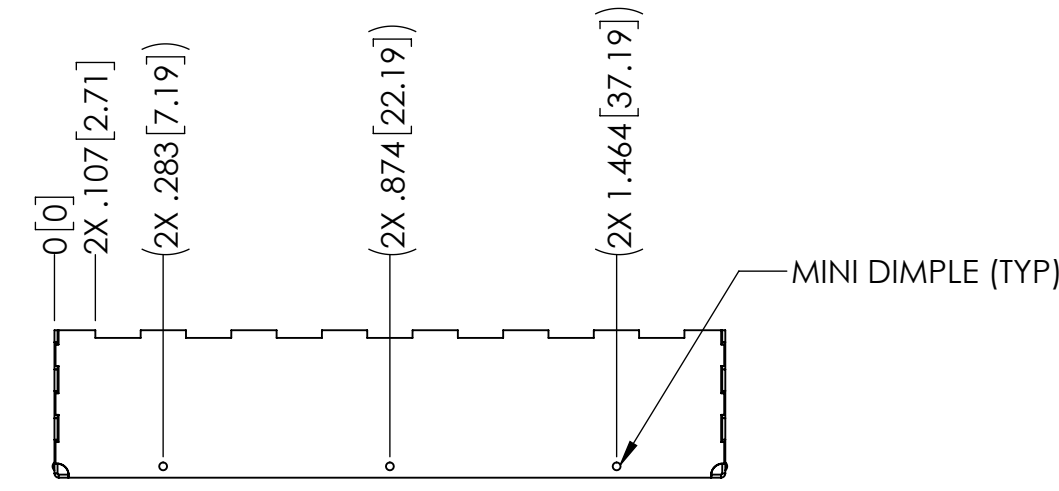
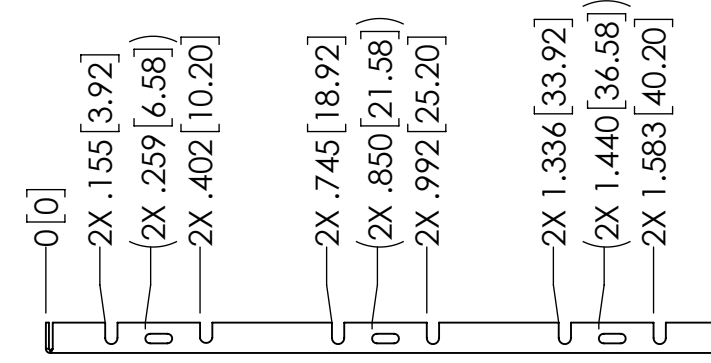
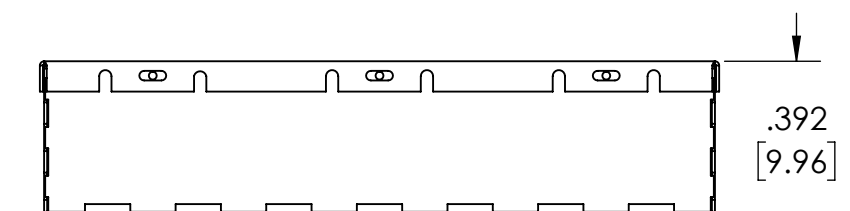


- NOTES:
- PART SHALL BE FREE OF BURRS AND SHARP EDGES
 - ASSURE ASSEMBLY CAPABILITY BY MATCHING WITH MATING PART
 - DIMENSIONS IN [] ARE IN MILLIMETERS

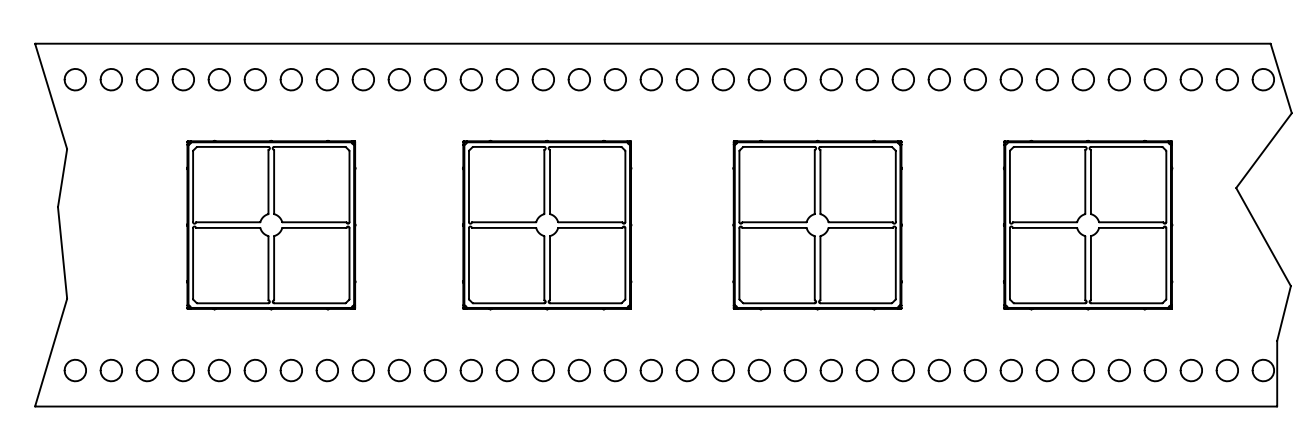


FORMED COVER

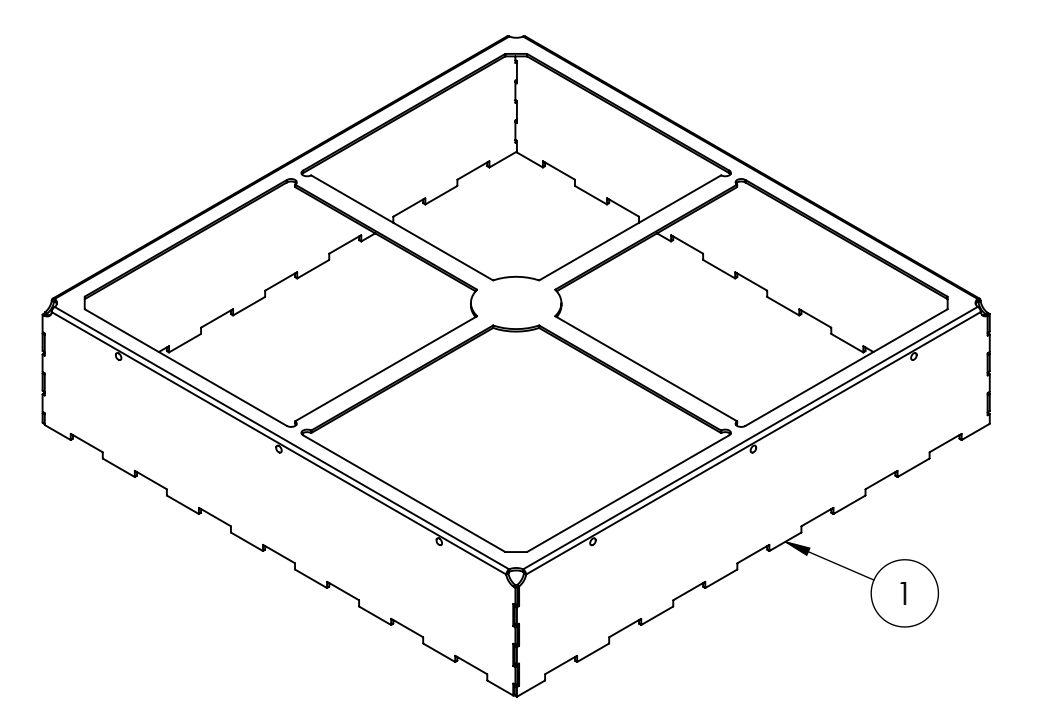
FORMED FRAME



ASSEMBLY



CARRIER TAPE



| ITEM NO. | PART NUMBER | DESCRIPTION | QTY. |
|----------|-------------|-------------|------|
| 1 | SMS-207-N F | FRAME | 1 |
| 2 | SMS-207-N C | COVER | 1 |

UNLESS OTHERWISE SPECIFIED:
 - ALL DIMENSIONS ARE IN INCHES
 - PART SHALL BE FREE OF BURRS AND SHARP EDGES
 - ALL DIMENSIONS SHOWN APPLY BEFORE PLATING AND COATINGS
 - ROHS COMPLIANT PER EU DIRECTIVE 2011/65/EU
 - POI = POINT OF INTERSECTION

THIRD ANGLE PROJECTION

FRS: JG 2014-02-04 -

MATERIAL: 0.008[0.20] C77000 H02 [ALLOY 770]

THIS DOCUMENT CONTAINS PROPRIETARY INFORMATION OWNED BY LEADERTECH OR DEVELOPED AT ITS OWN PRIVATE EXPENSE AND MAY NOT BE USED, DUPLICATED OR DISCLOSED IN WHOLE OR IN PART FOR ANY PURPOSE INCLUDING DESIGN, MANUFACTURE OR PROCUREMENT WITHOUT THE WRITTEN PERMISSION OF LEADERTECH. LEADERTECH DOES NOT GUARANTEE OR WARRANT THE PERFORMANCE CHARACTERISTICS.

DATE: 2/1
 DWG. NO.: SMS-207-N
 CAGE CODE: 4J674
 SHEET: 1 OF 1

| CARRIER TAPE SPECIFICATIONS | | | | | | |
|-----------------------------|-------------|-------------------------------|----------------|--------------------|--------------------|----------------|
| PART NUMBER | DESCRIPTION | OVERALL DIMENSIONS | OVERALL HEIGHT | CARRIER TAPE WIDTH | CARRIER TAPE PITCH | PARTS PER REEL |
| SMS-207-N F | FRAME | 1.747 X 1.747 (44.37 X 44.37) | .384 (9.75) | 72 mm | 56 mm | 120 / Δ |
| SMS-207-N C | COVER | 1.769 X 1.769 (44.93 X 44.93) | .079 (2.01) | N/A | N/A | BULK PACK |

