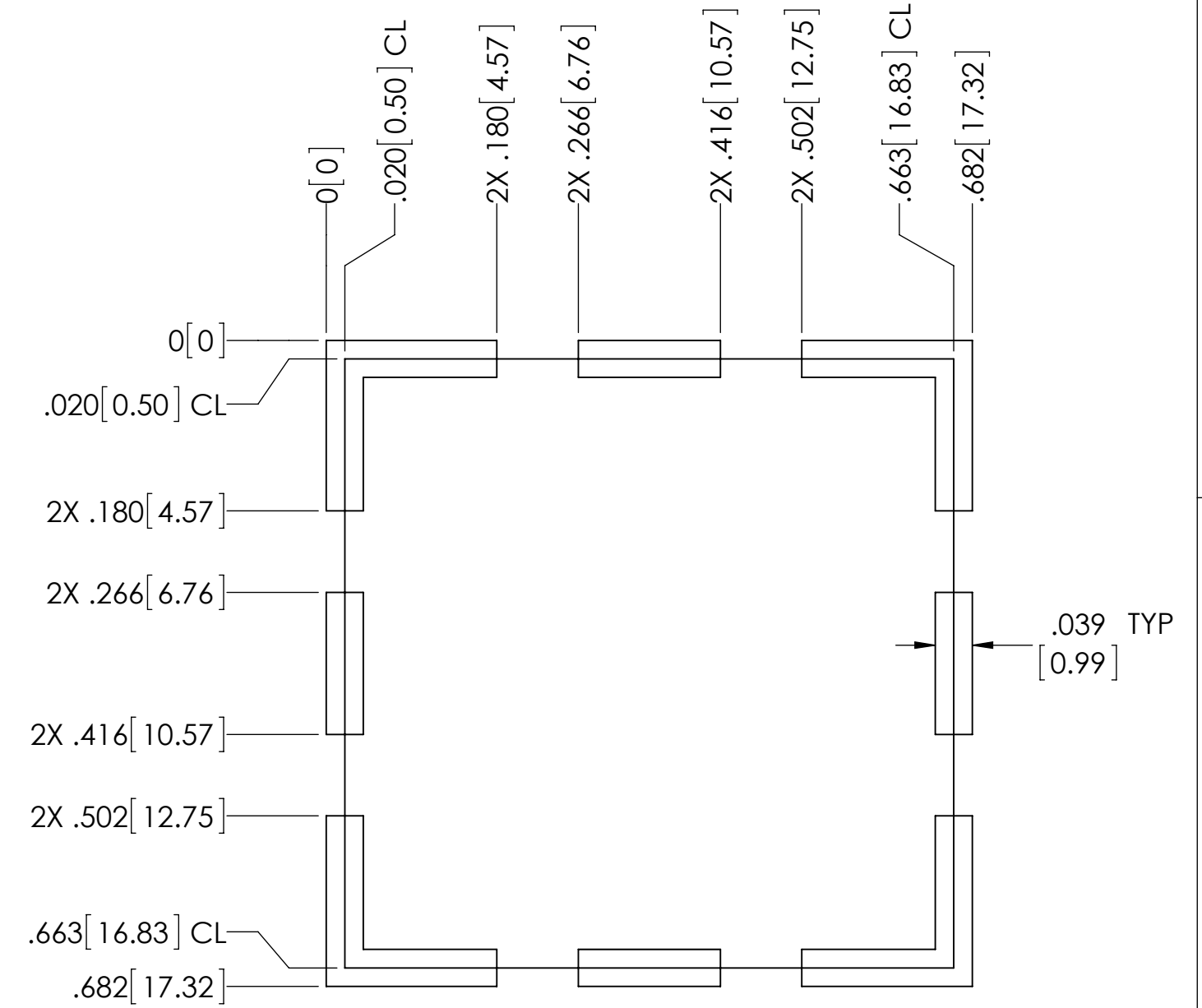
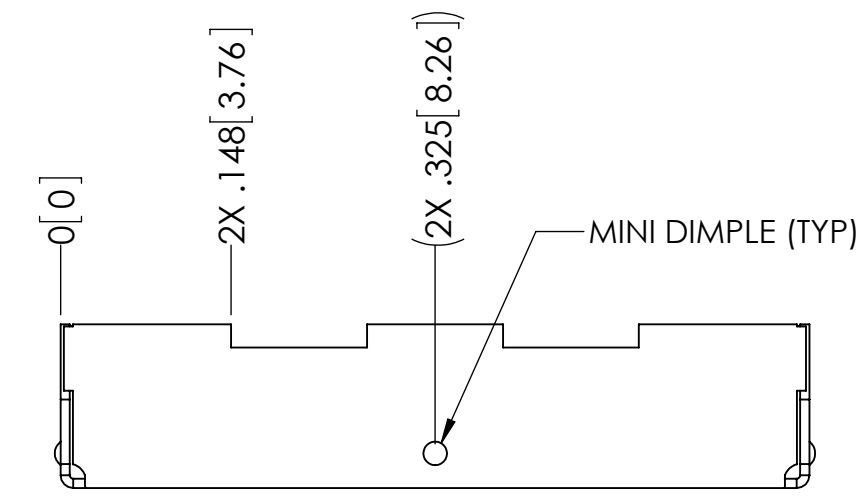
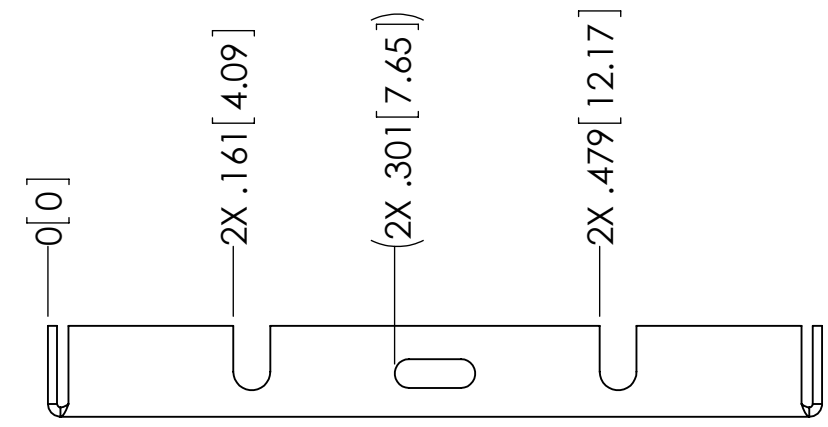
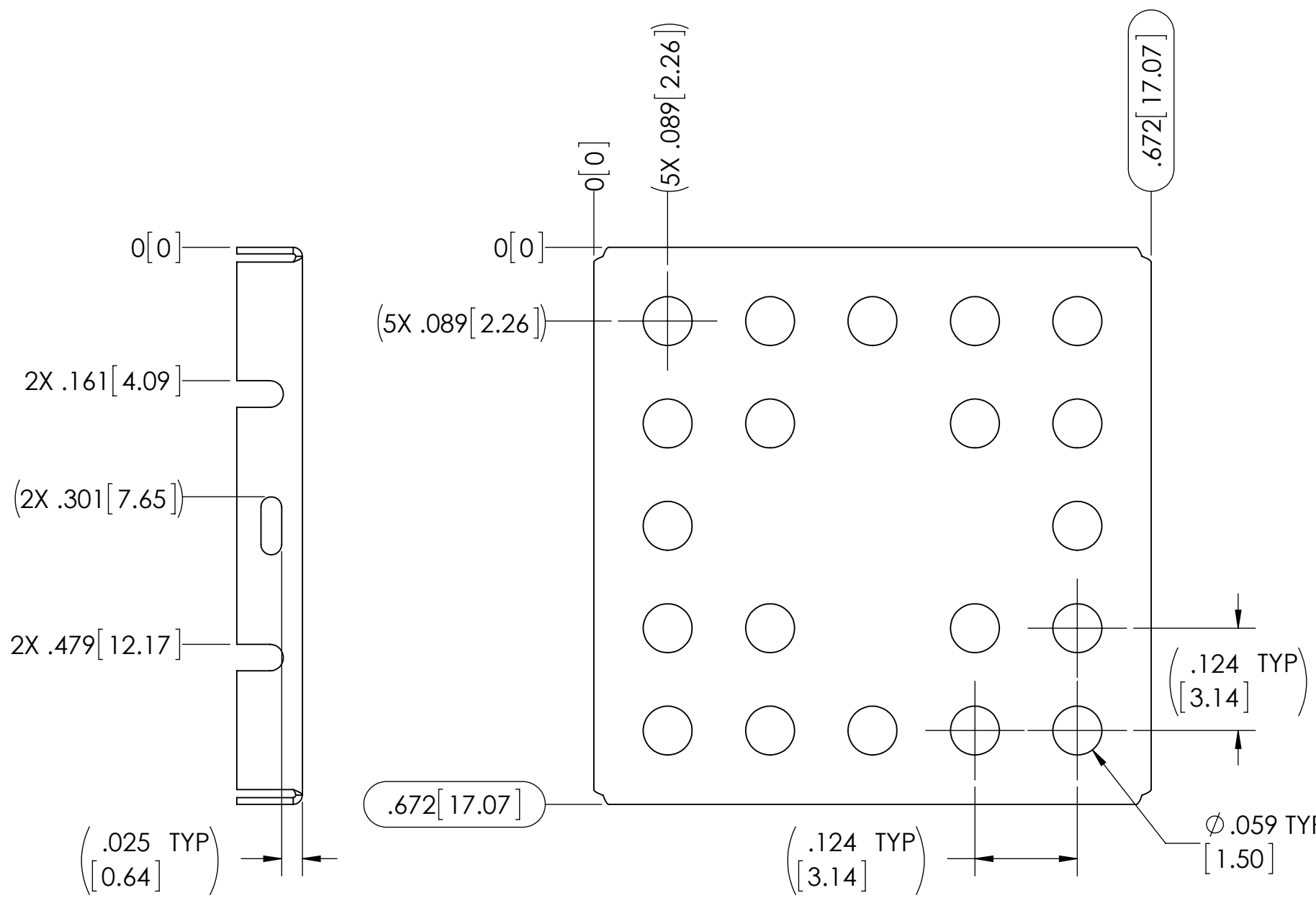


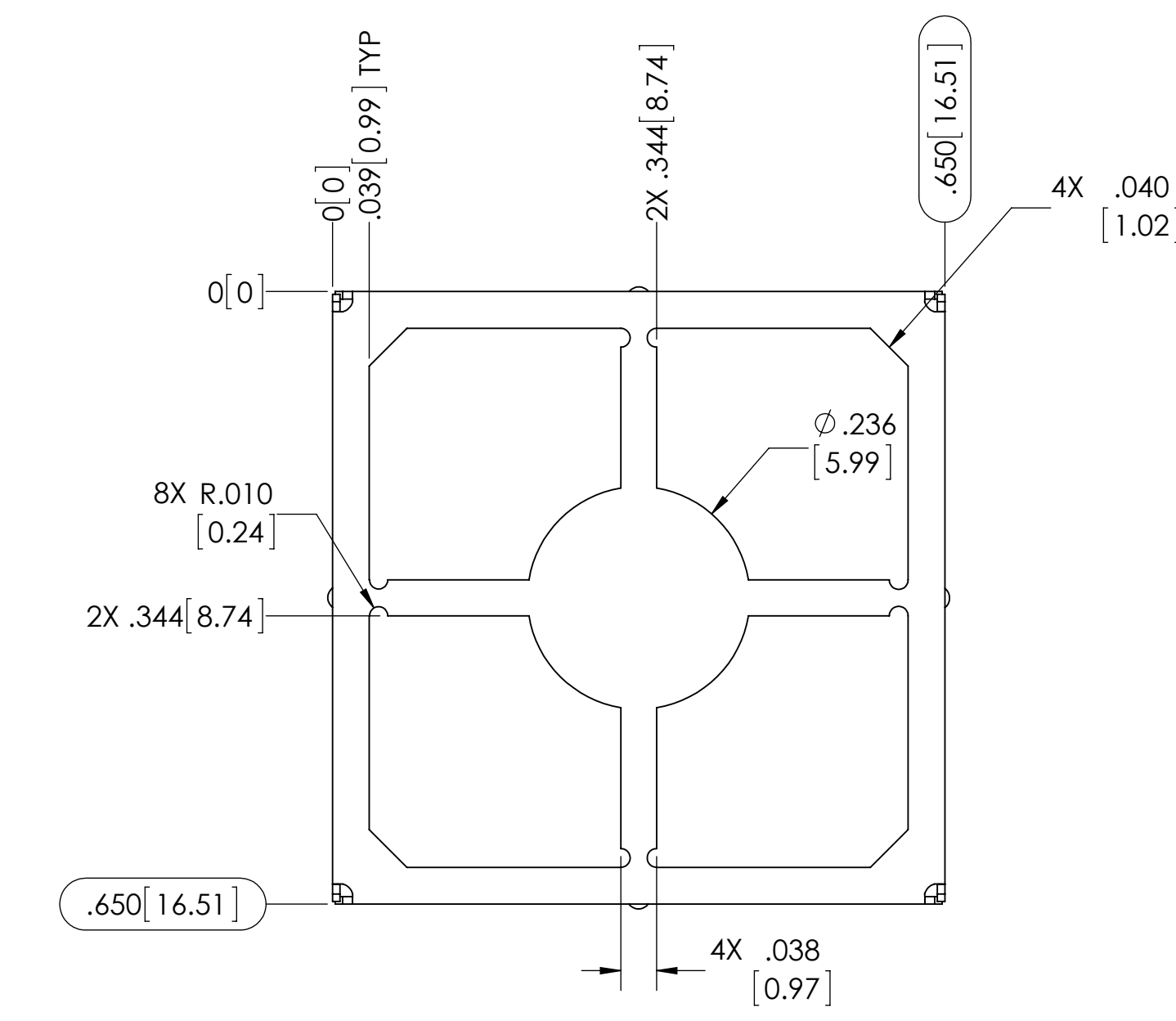
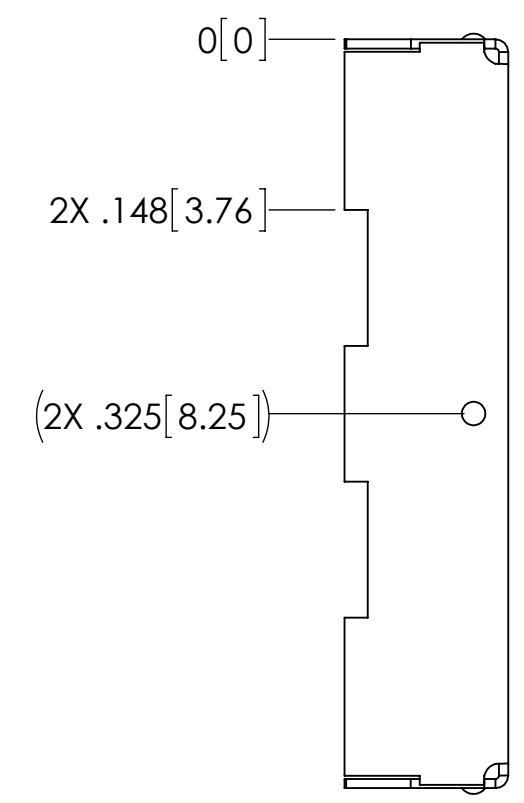
- NOTES:
- PART SHALL BE FREE OF BURRS AND SHARP EDGES
  - ASSURE ASSEMBLY CAPABILITY BY MATCHING WITH MATING PART
  - DIMENSIONS IN [ ] ARE IN MILLIMETERS



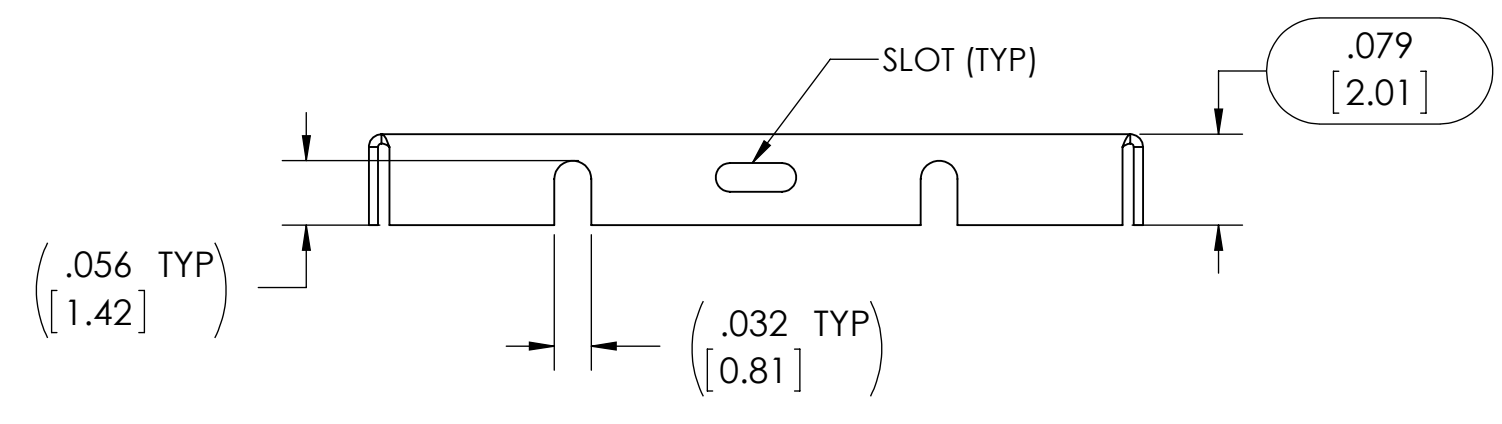
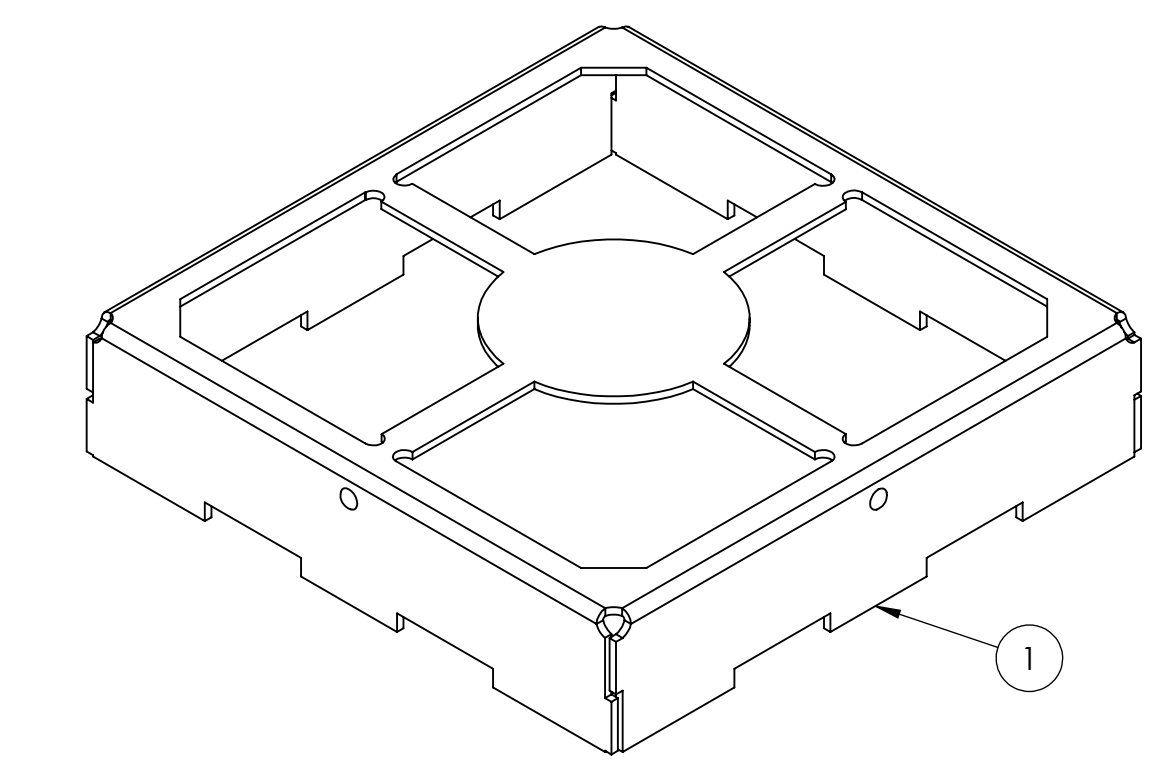
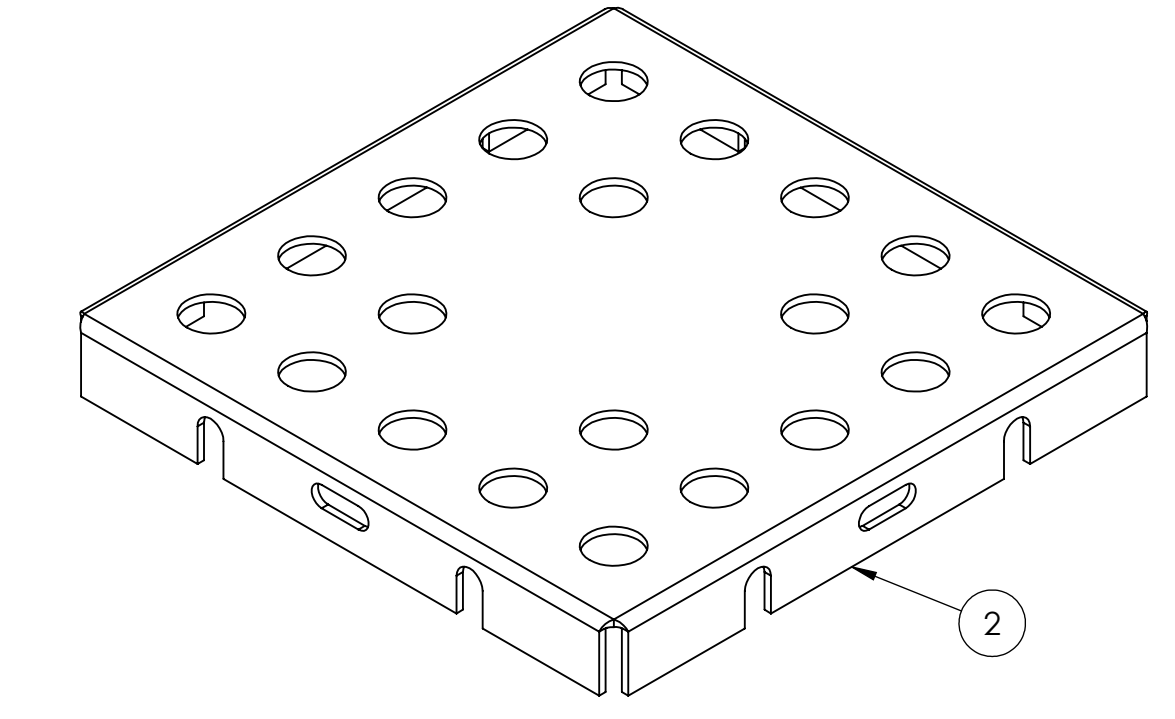
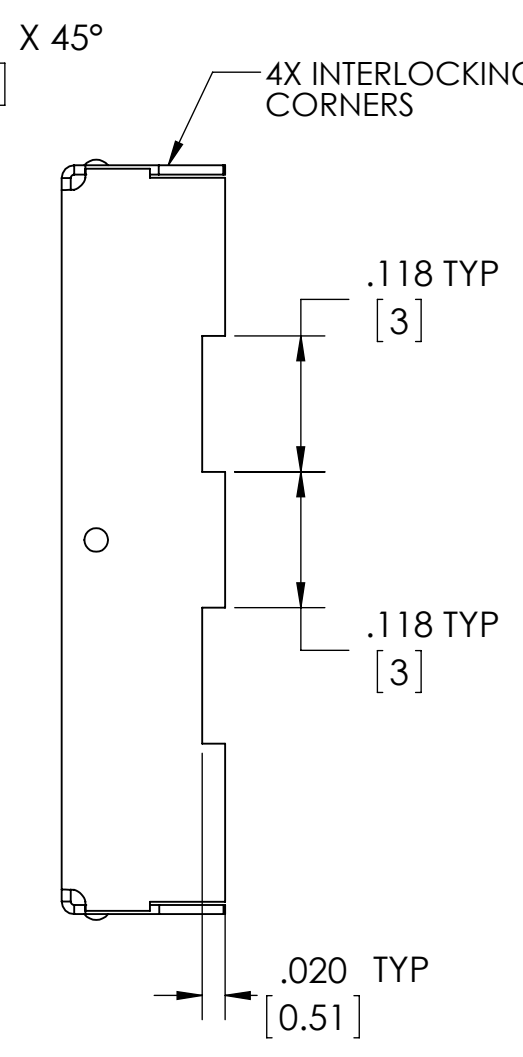
TRACE PATTERN



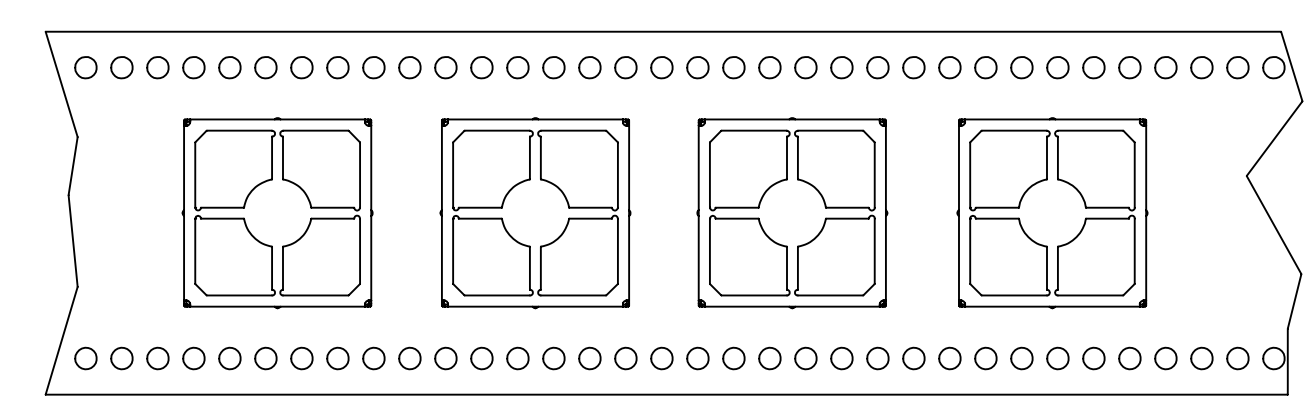
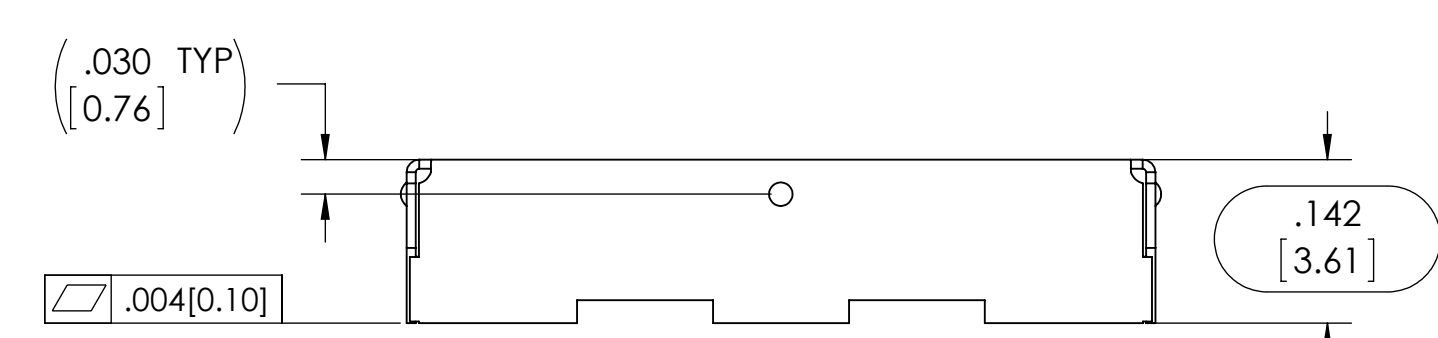
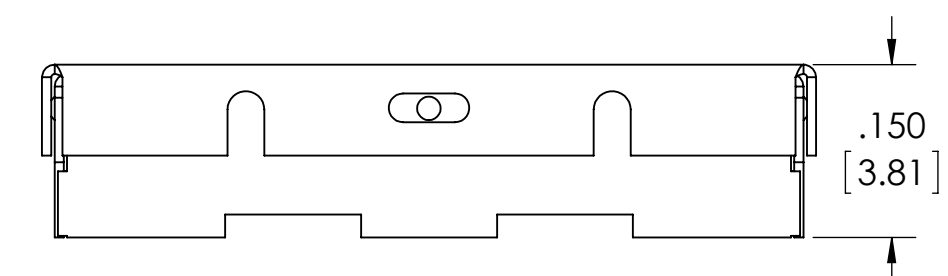
FORMED COVER



FORMED FRAME



ASSEMBLY



CARRIER TAPE

ITEM NO.	PART NUMBER	DESCRIPTION	QTY.
1	SMS-202-N F	FRAME	1
2	SMS-202-N C	COVER	1

UNLESS OTHERWISE SPECIFIED:  
 - ALL DIMENSIONS ARE IN INCHES  
 - PART SHALL BE FREE OF BURRS AND SHARP EDGES  
 - ALL DIMENSIONS SHOWN APPLY BEFORE PLATING AND COATINGS  
 - ROHS COMPLIANT PER EU DIRECTIVE 2011/65/EU  
 - POI = POINT OF INTERSECTION

THIRD ANGLE PROJECTION

FRISH: .XXX +/- .005[0.13] .XX +/- .010[0.25] .X +/- .020[0.51] ANGLES +/- 2°

DRAWN BY: DJM 2010-01-06 APPROVED BY: -

MATERIAL: N/A

SCALE: 6:1 CAGE CODE: 4J674 SHEET: 1 OF 1

THIS DOCUMENT CONTAINS PROPRIETARY INFORMATION OWNED BY LEADERTECH OR DERIVED AT ITS OWN PRIVATE EXPENSE AND MAY NOT BE USED, DUPLICATED OR DISCLOSED IN WHOLE OR IN PART FOR ANY PURPOSE INCLUDING DESIGN, MANUFACTURE OR PROCUREMENT WITHOUT THE WRITTEN PERMISSION OF LEADERTECH. LEADERTECH DOES NOT GUARANTEE OR WARRANT THE PERFORMANCE CHARACTERISTICS.

LEADERTECH  
 a HEICO company  
 The Leading Edge in PWB Mounting Technology

TITLE: SURFACE MOUNT SHIELD

CARRIER TAPE SPECIFICATIONS						
PART NUMBER	DESCRIPTION	OVERALL DIMENSIONS	OVERALL HEIGHT	CARRIER TAPE WIDTH	CARRIER TAPE PITCH	PARTS PER REEL
SMS-202-N-F	FRAME	.650 X .650 [16.51 X 16.51]	.142 [3.60]	32 mm	24 mm	700
SMS-202-N-C	COVER	.672 X .672 [17.07 X 17.07]	.079 [2.01]	N/A	N/A	BULK PACK