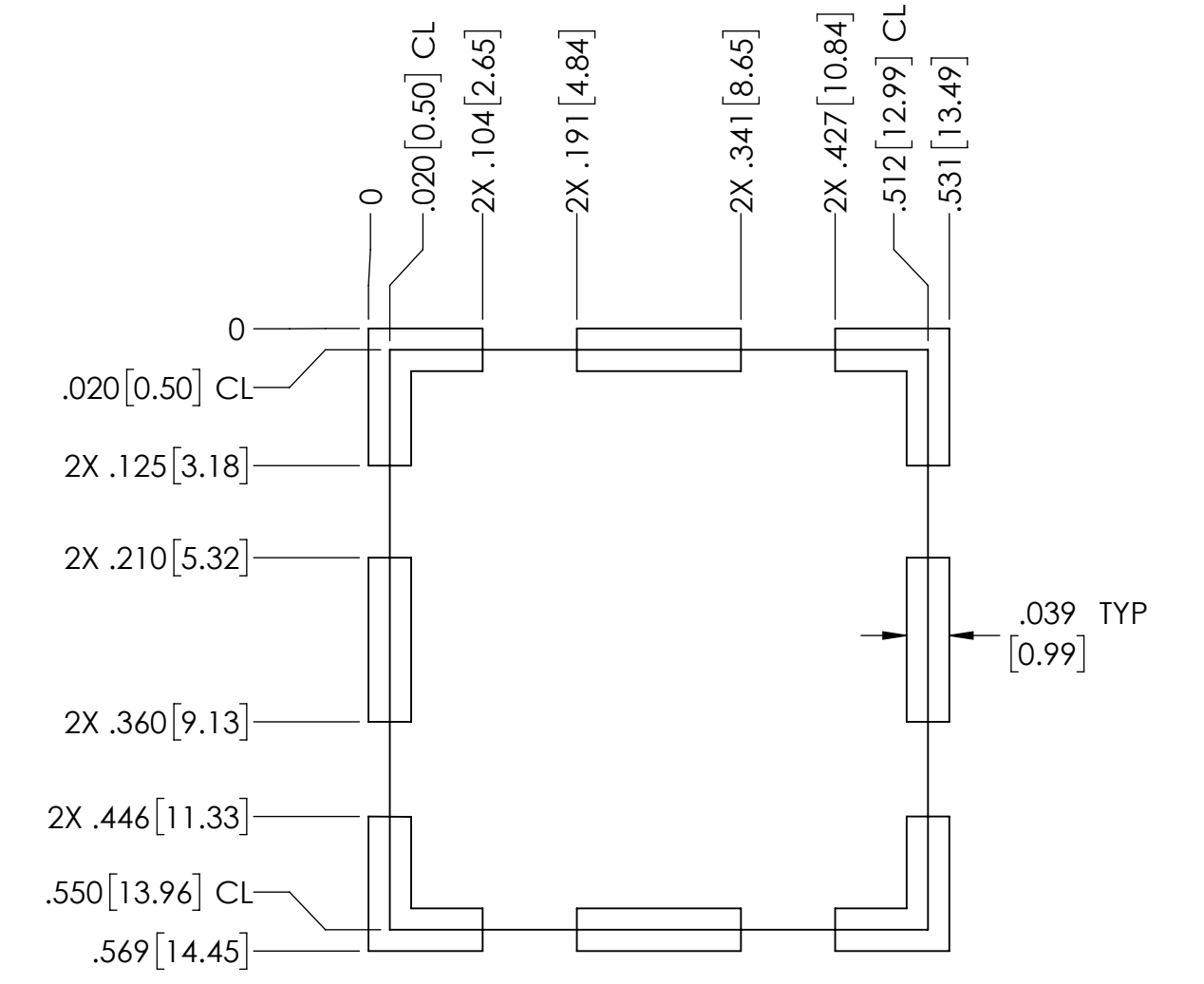
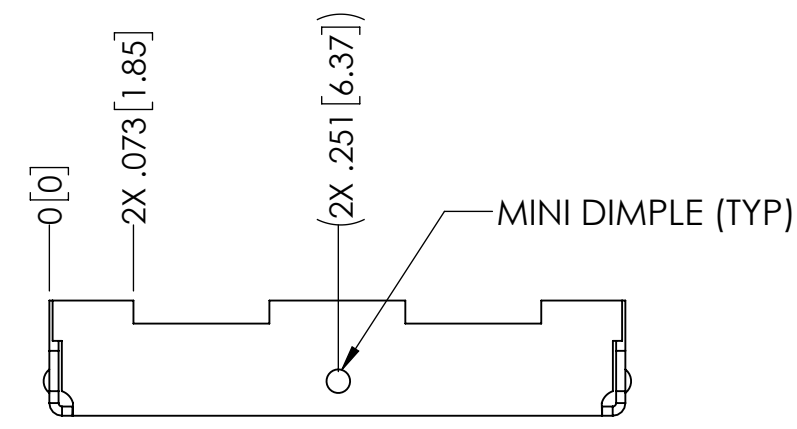
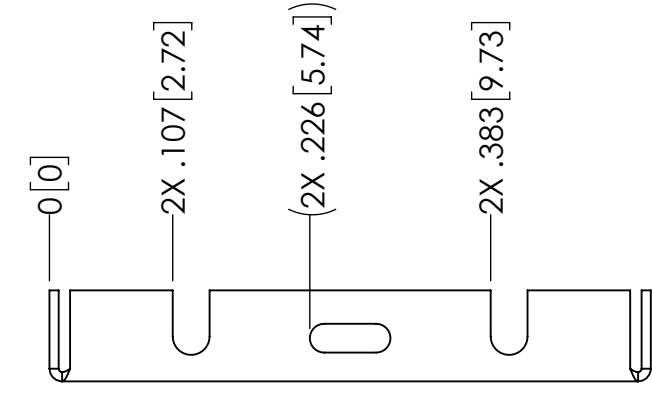
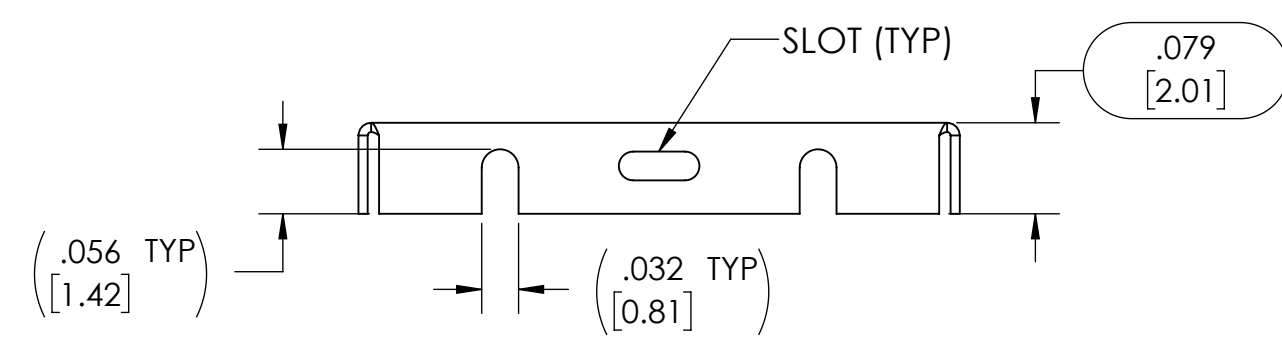
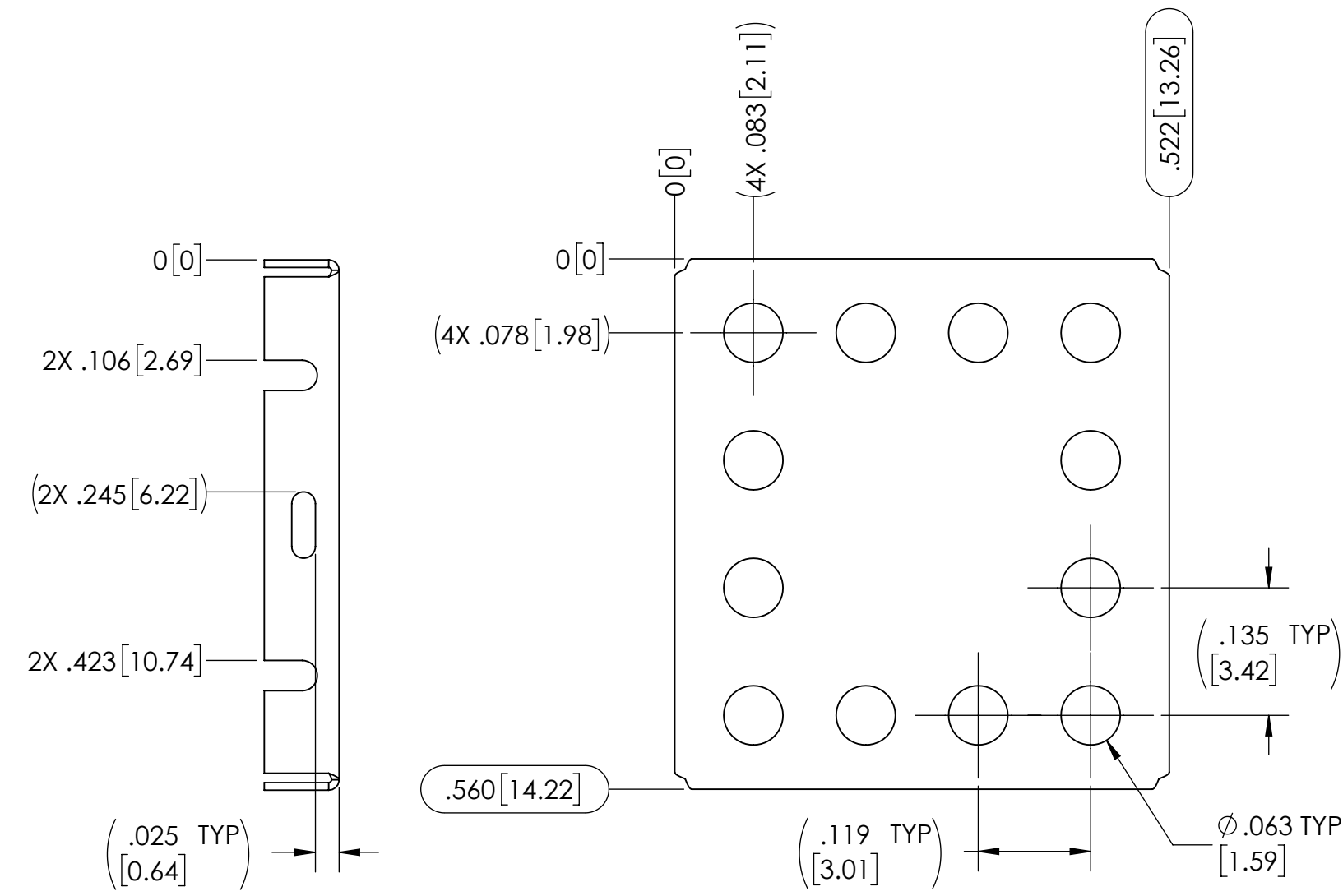


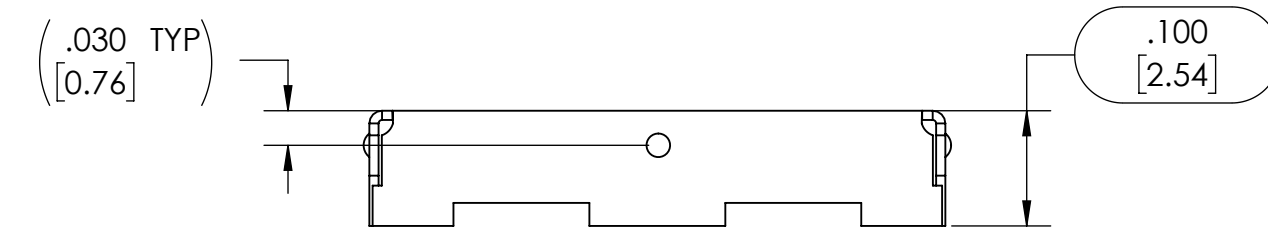
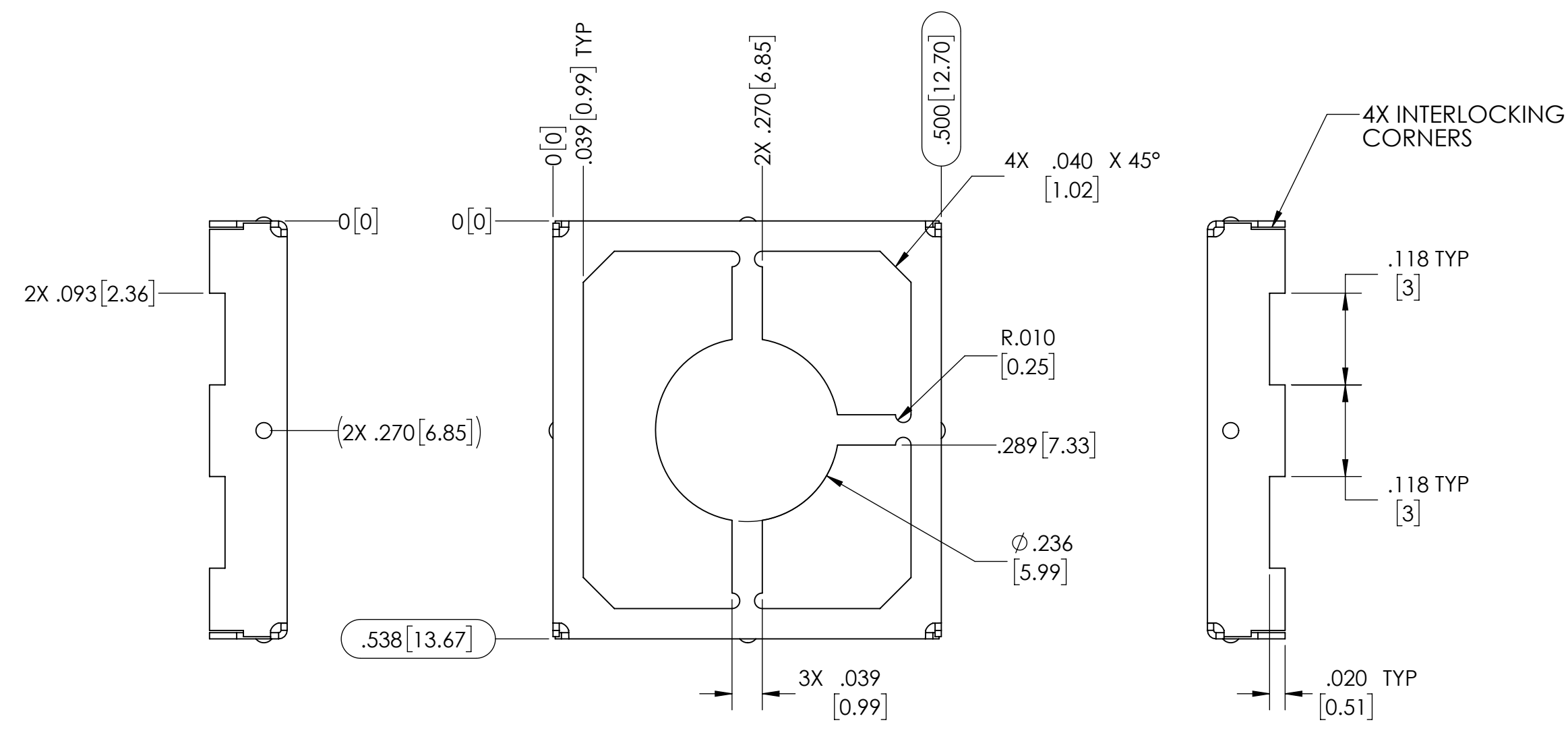
- NOTES:
1. ASSURE ASSEMBLY CAPABILITY BY MATCHING WITH MATING PART
 2. DIMENSIONS IN [] ARE IN MILLIMETERS



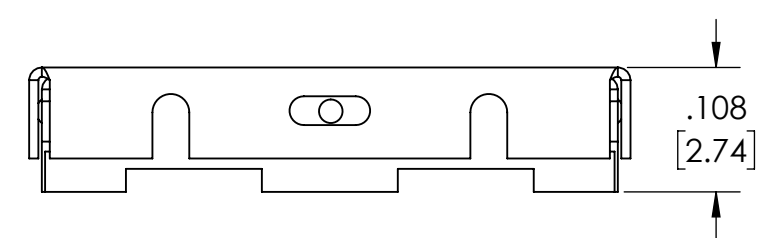
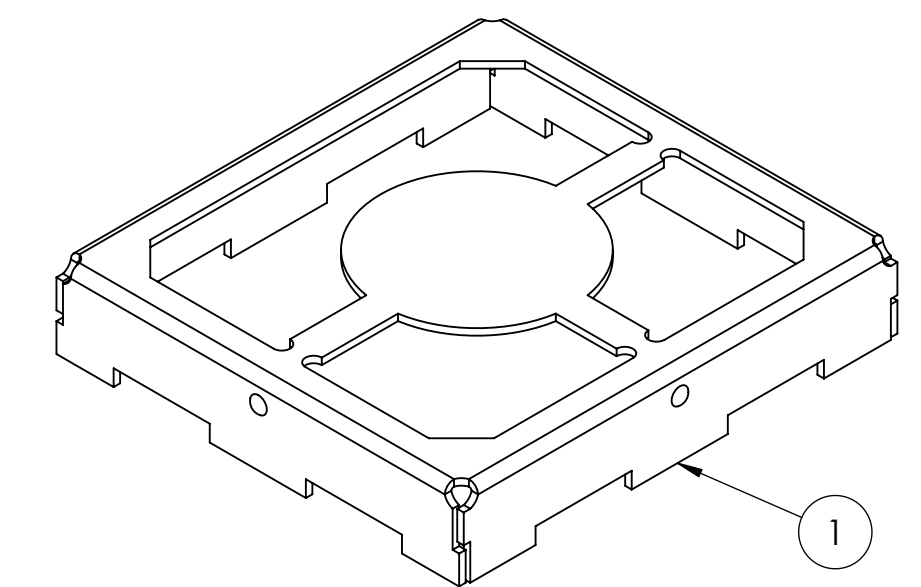
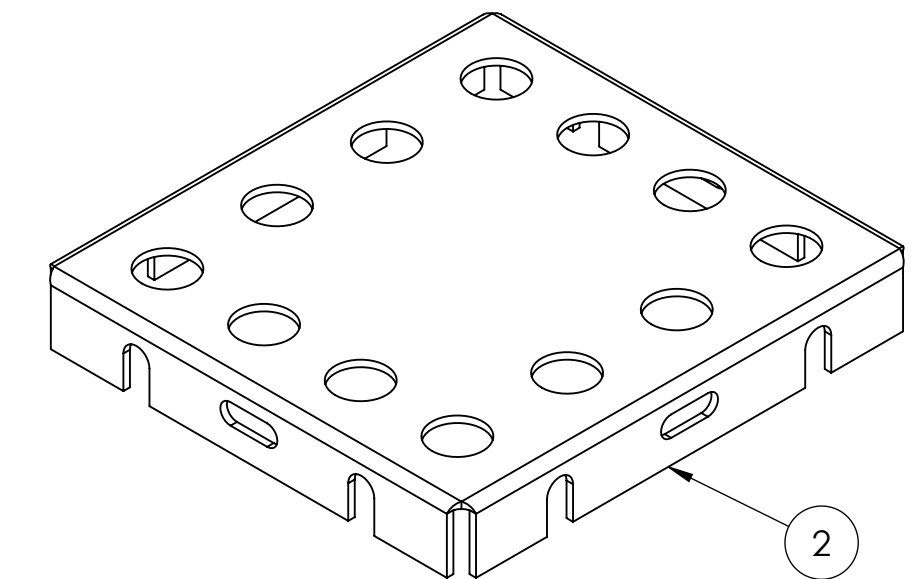
TRACE PATTERN



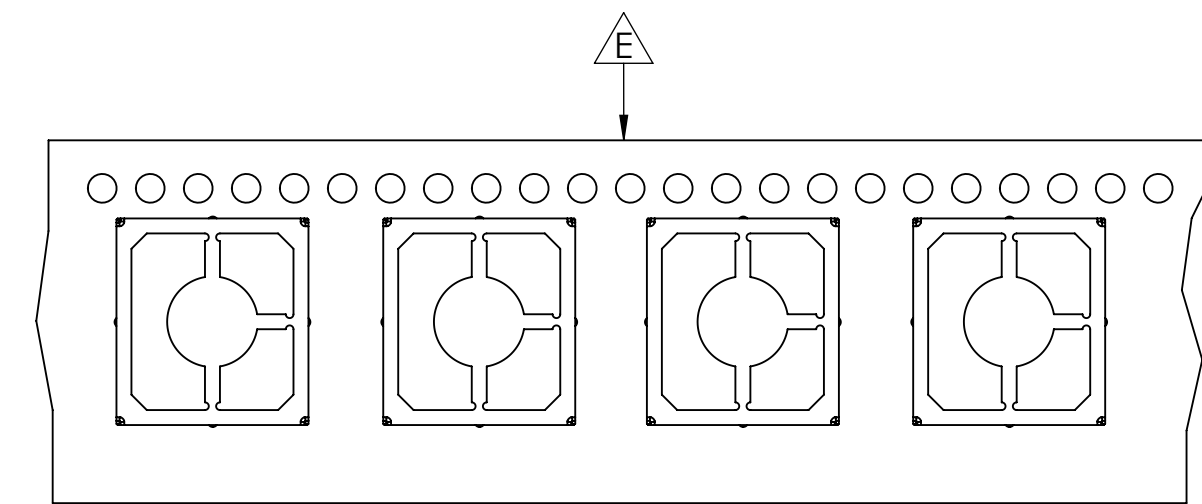
FORMED COVER



FORMED FRAME



ASSEMBLY



CARRIER TAPE



CARRIER TAPE SPECIFICATIONS						
PART NUMBER	DESCRIPTION	OVERALL DIMENSIONS	OVERALL HEIGHT	CARRIER TAPE WIDTH	CARRIER TAPE PITCH	PARTS PER REEL
SMS-201-F	FRAME	.538 X .500 [13.67 X 12.70]	.100 [2.54]	24 mm	20 mm	1000
SMS-201-C	COVER	.560 X .522 [14.22 X 13.26]	.079 [2.01]	N/A	N/A	BULK PACK

THIS DOCUMENT CONTAINS PROPRIETARY INFORMATION OWNED BY LEADTECH OR DEVELOPED AT ITS OWN PRIVATE EXPENSE AND MAY NOT BE USED, DUPLICATED OR DISCLOSED IN WHOLE OR IN PART FOR ANY PURPOSE INCLUDING DESIGN, MANUFACTURE OR PROCUREMENT WITHOUT THE WRITTEN PERMISSION OF LEADTECH. LEADTECH DOES NOT GUARANTEE OR WARRANT THE PERFORMANCE CHARACTERISTICS.

ITEM NO.	PART NUMBER	DESCRIPTION	QTY.
1	SMS-201 F	FRAME	1
2	SMS-201 C	COVER	1

UNLESS OTHERWISE SPECIFIED: - ALL DIMENSIONS ARE IN INCHES - PART SHALL BE FREE OF BURRS AND SHARP EDGES - ALL DIMENSIONS SHOWN APPLY BEFORE PLATING AND COATINGS - ROHS COMPLIANT PER EU DIRECTIVE 2011/65/EU - POI = POINT OF INTERSECTION		THIRD ANGLE PROJECTION		 LEADER TECH <small>a HEICO company</small> <small>The Leading Edge in EMI Shielding Technology</small>
TITLE: SURFACE MOUNT SHIELD		SIZE: D		
DRAWN BY: DJM		APPROVED BY: -	SCALE: 6:1	CAGE CODE: 4J674
MATERIAL: .008" [0.20] PRE TIN STEEL		DATE: 2010-01-06	SHEET: 1 OF 1	REV: E