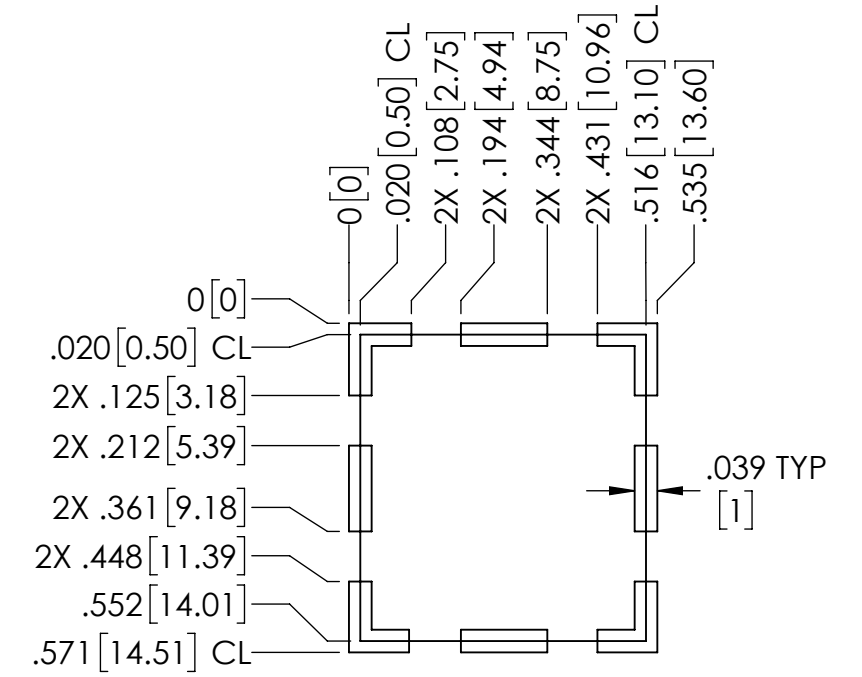
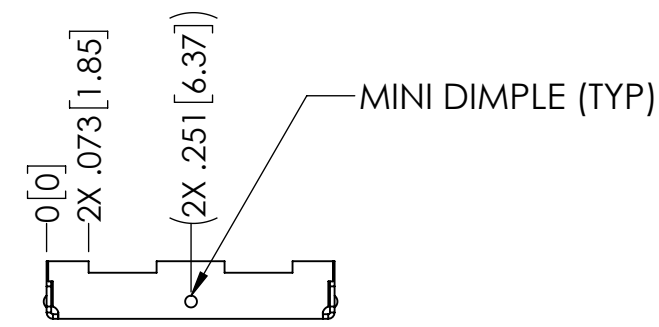
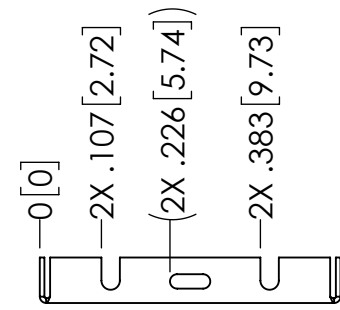
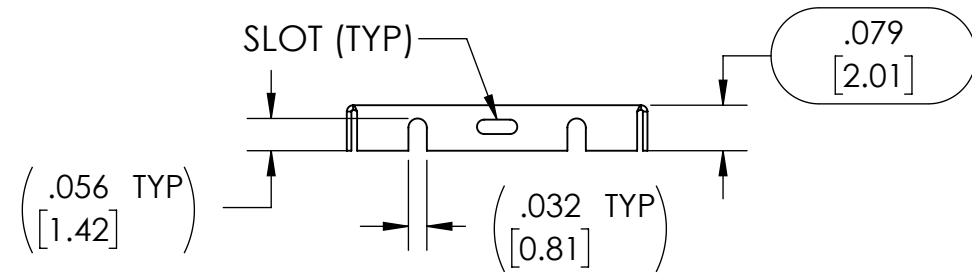
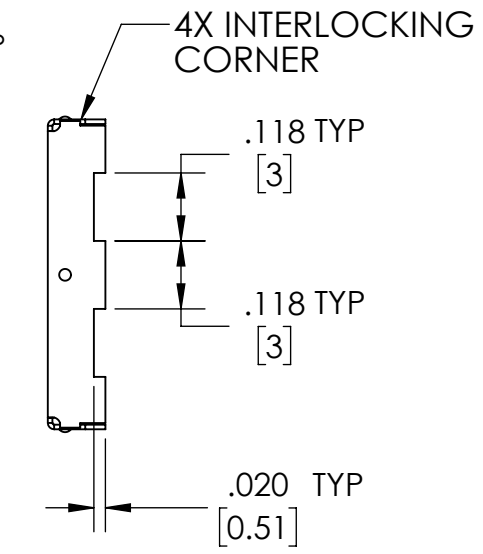
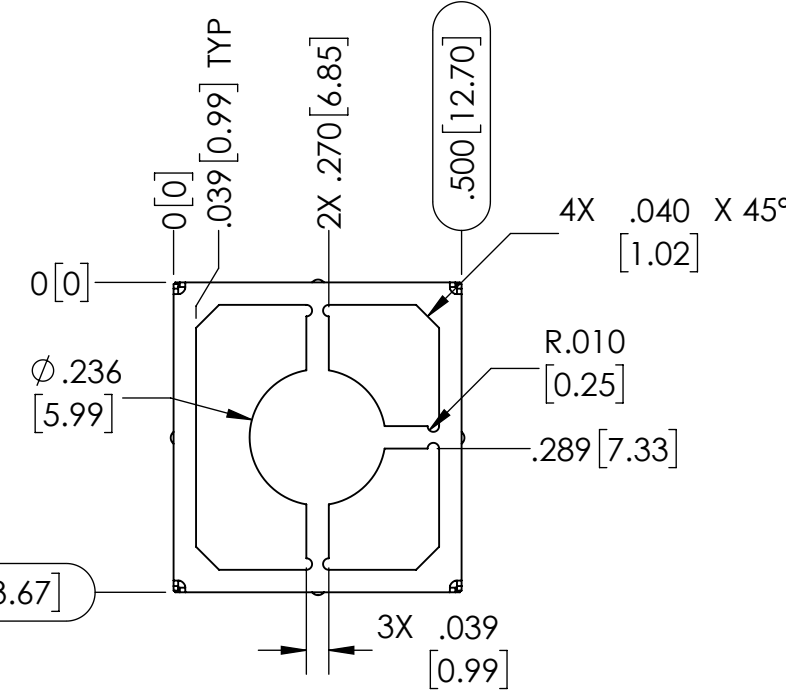
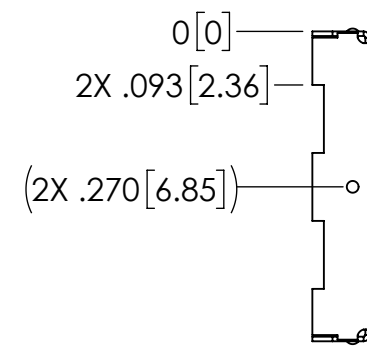
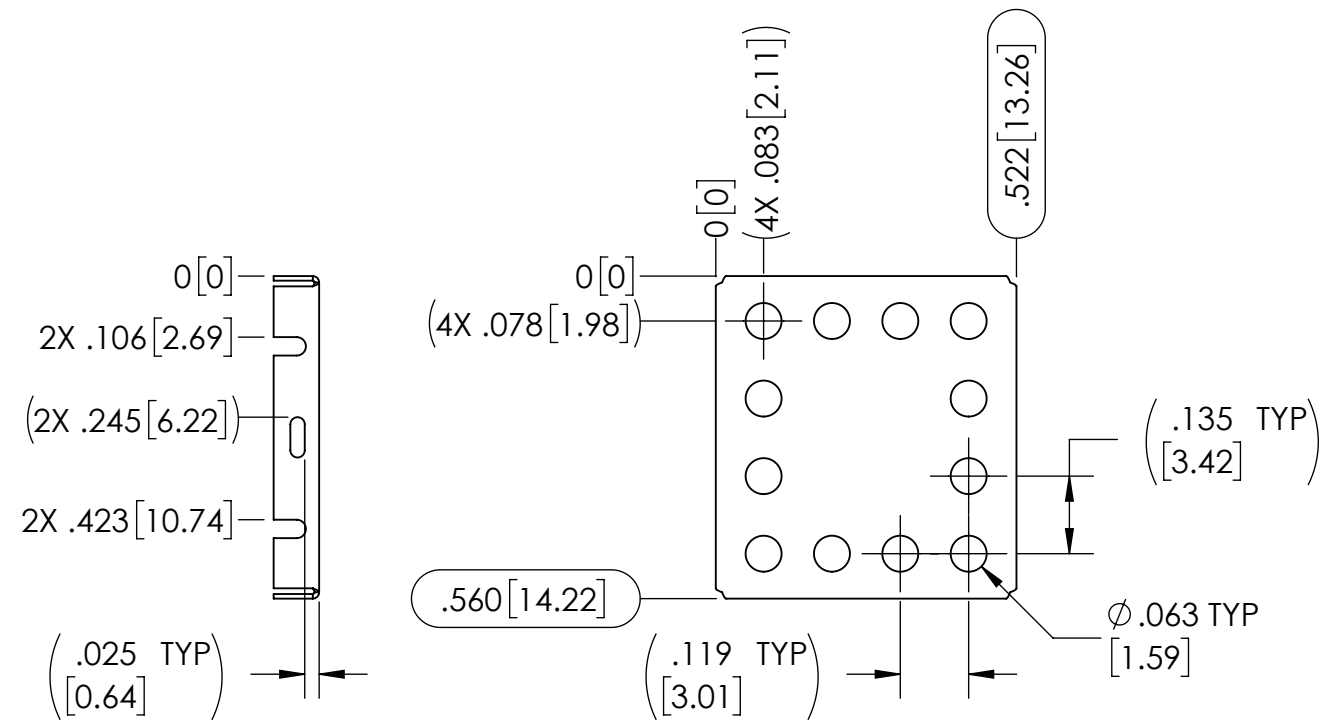


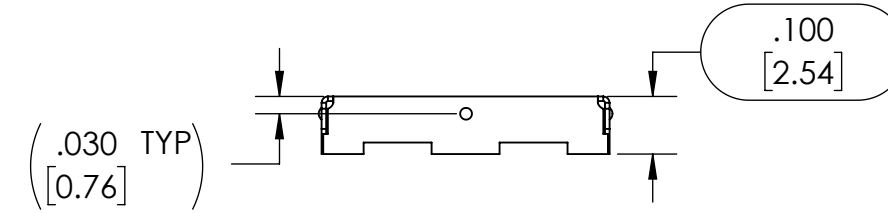
- NOTES:
- PART SHALL BE FREE OF BURRS AND SHARP EDGES
  - ASSURE ASSEMBLY CAPABILITY BY MATCHING WITH MATING PART
  - DIMENSIONS IN [ ] ARE IN MILLIMETERS



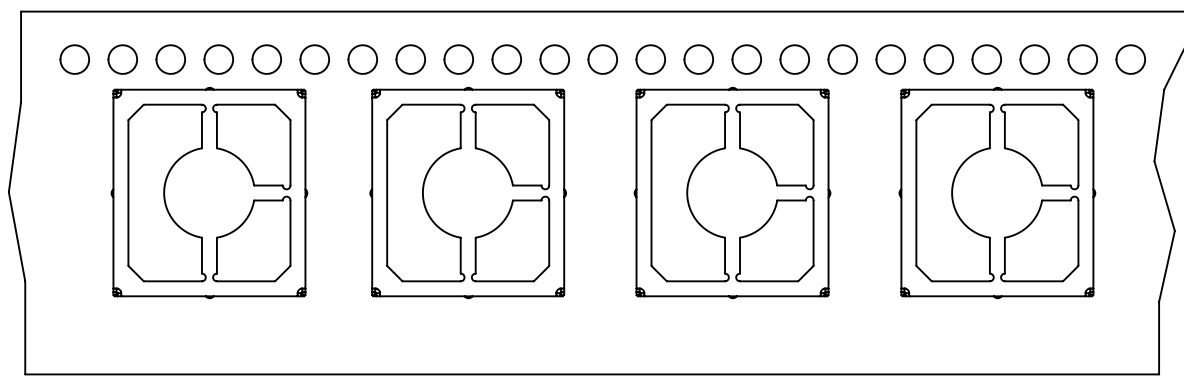
TRACE PATTERN



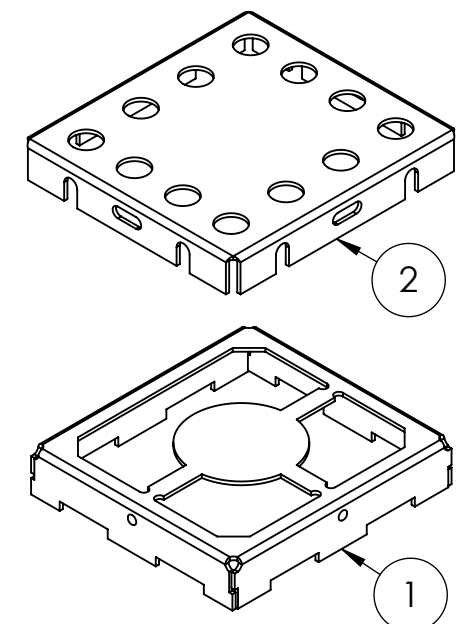
FORMED COVER



FORMED FRAME



CARRIER TAPE



CARRIER TAPE SPECIFICATIONS						
PART NUMBER	DESCRIPTION	OVERALL DIMENSIONS	OVERALL HEIGHT	CARRIER TAPE WIDTH	CARRIER TAPE PITCH	PARTS PER REEL
SMS-201-N F	FRAME	.538 X .500 [13.67 X 12.70]	.100 [2.54]	24 mm	20 mm	1000
SMS-201-N C	COVER	.560 X .522 [14.22 X 13.26]	.079 [2.01]	N/A	N/A	BULK PACK

ITEM	PART NUMBER	DESCRIPTION	QTY.
1	SMS-201-N F	FRAME	1
2	SMS-201-N C	COVER	1

**UNLESS OTHERWISE SPECIFIED:**  
 - ALL DIMENSIONS ARE IN INCHES  
 - PART SHALL BE FREE OF BURRS AND SHARP EDGES  
 - ALL DIMENSIONS SHOWN APPLY AFTER PLATING AND COATINGS  
 - ROHS COMPLIANT PER EU DIRECTIVE 2011/65/EU  
 - POI = POINT OF INTERSECTION

THIRD ANGLE PROJECTION

ANGLES +/- 2°

DRAWN BY: DJM 2010-01-06 APPROVED BY: -

FINISH: MATTE

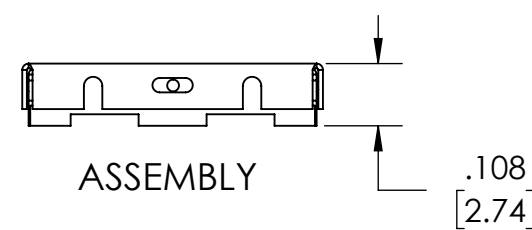
MATERIAL: .008[0.20] ALLOY 770

**LEADER TECH**  
 a HEICO company  
 The Leading Edge in EMI Shielding Technology

TITLE: SURFACE MOUNT SHIELD

SIZE: C DWG. NO.: SMS-201-N REV: D

SCALE: 3:1 CAGE CODE: 4J674 SHEET: 1 OF 1



ASSEMBLY

THIS DOCUMENT CONTAINS PROPRIETARY INFORMATION OWNED BY LEADERTECH, OR DEVELOPED AT ITS OWN PRIVATE EXPENSE, AND MAY NOT BE USED, DUPLICATED OR DISCLOSED IN WHOLE OR IN PART FOR ANY PURPOSE INCLUDING DESIGN, MANUFACTURE OR PROCUREMENT WITHOUT THE WRITTEN PERMISSION OF LEADERTECH. LEADERTECH DOES NOT GUARANTEE OR WARRANTY THE PERFORMANCE CHARACTERISTICS.