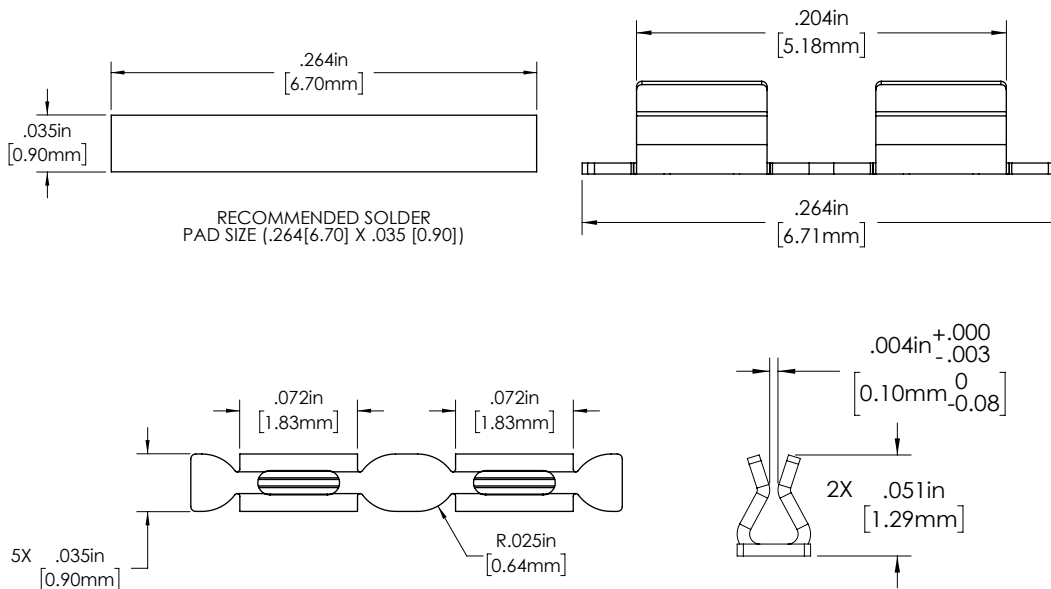


## PCB Tech Clip Mini – P/N TC-01 Mini

The Tech Clip is an EMI board shield clip which provides a cost effective alternative to using a 2-piece shielding solution and allows for EMI shield placement on a PCB without post soldering. The Tech Clip eliminates the need for hand soldering, as the parts are delivered in tape & reel packaging and are compatible with high speed automated placement equipment. The Tech Clip allows for easy shield removal and replacement for PCB rework or maintenance, and saves money on PCB costs by eliminating the need for through holes.



### Applications & Benefits

- Allows for 1-Piece EMI/RFI Shielding on PCBs with easy shield removal/ replacement
- Universal clip with spring contact retention fingers compatible with .006" - .008" thick shielding materials
- Suitable for Automated Placement with Circular Pick Spot
- Tape & Reel Packaging
- Saves \$\$\$ on PCB costs

### Material

.006" Thick Pre-Tin Plated Phos. Bronze

### Availability

- Available Immediately through Distribution
- 2-4 Weeks Lead Time for Large Orders (No Stock)
- Ships Next Day if Parts are In-Stock
- **FREE** samples available upon request.

### Additional Products

Quick turn, low cost, standard and custom covers available. Contact our sales team for available options.

Also Available in larger PCB Tech Clip (.310 in length)

