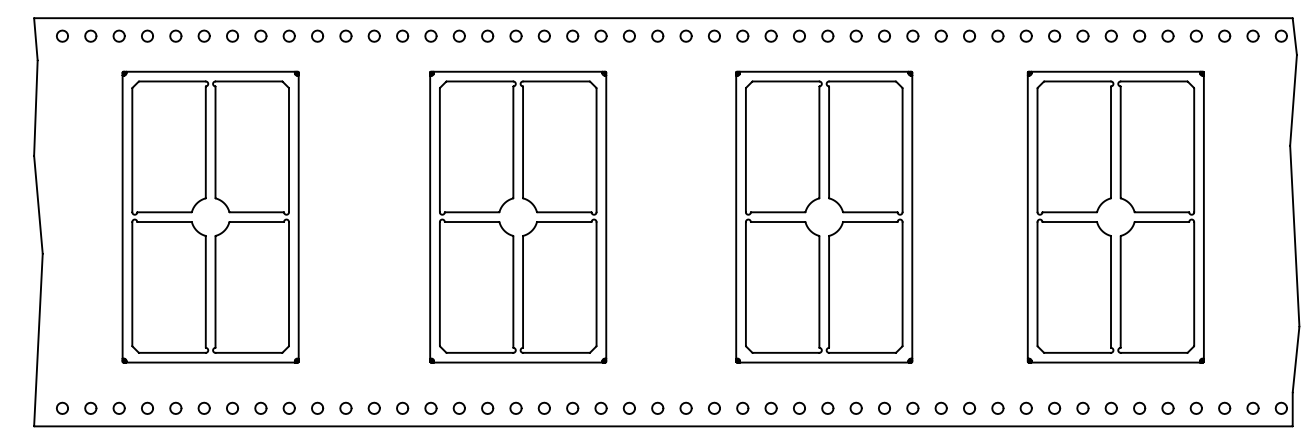
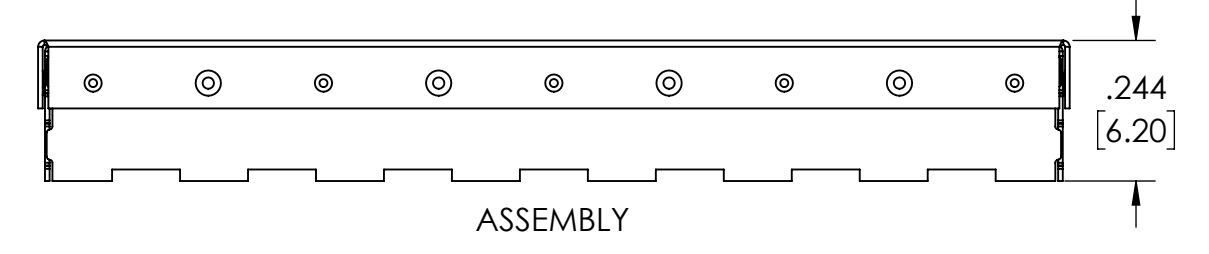
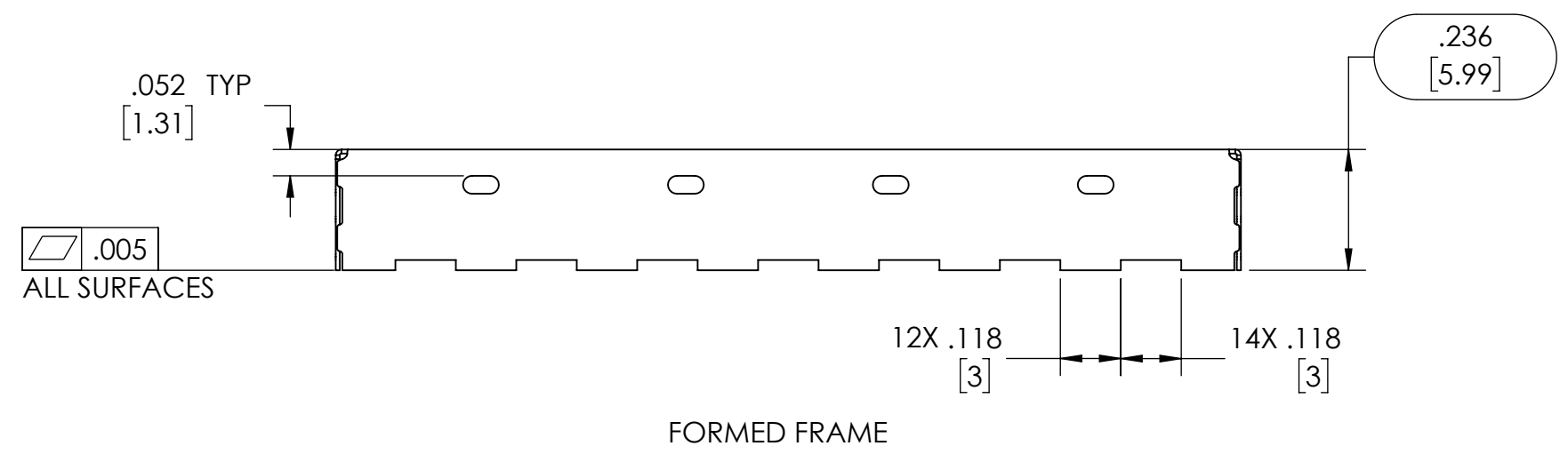
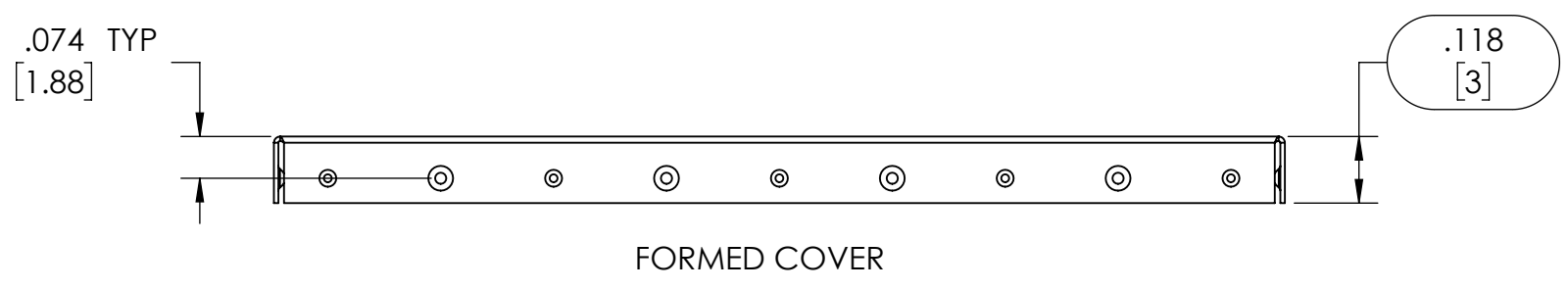
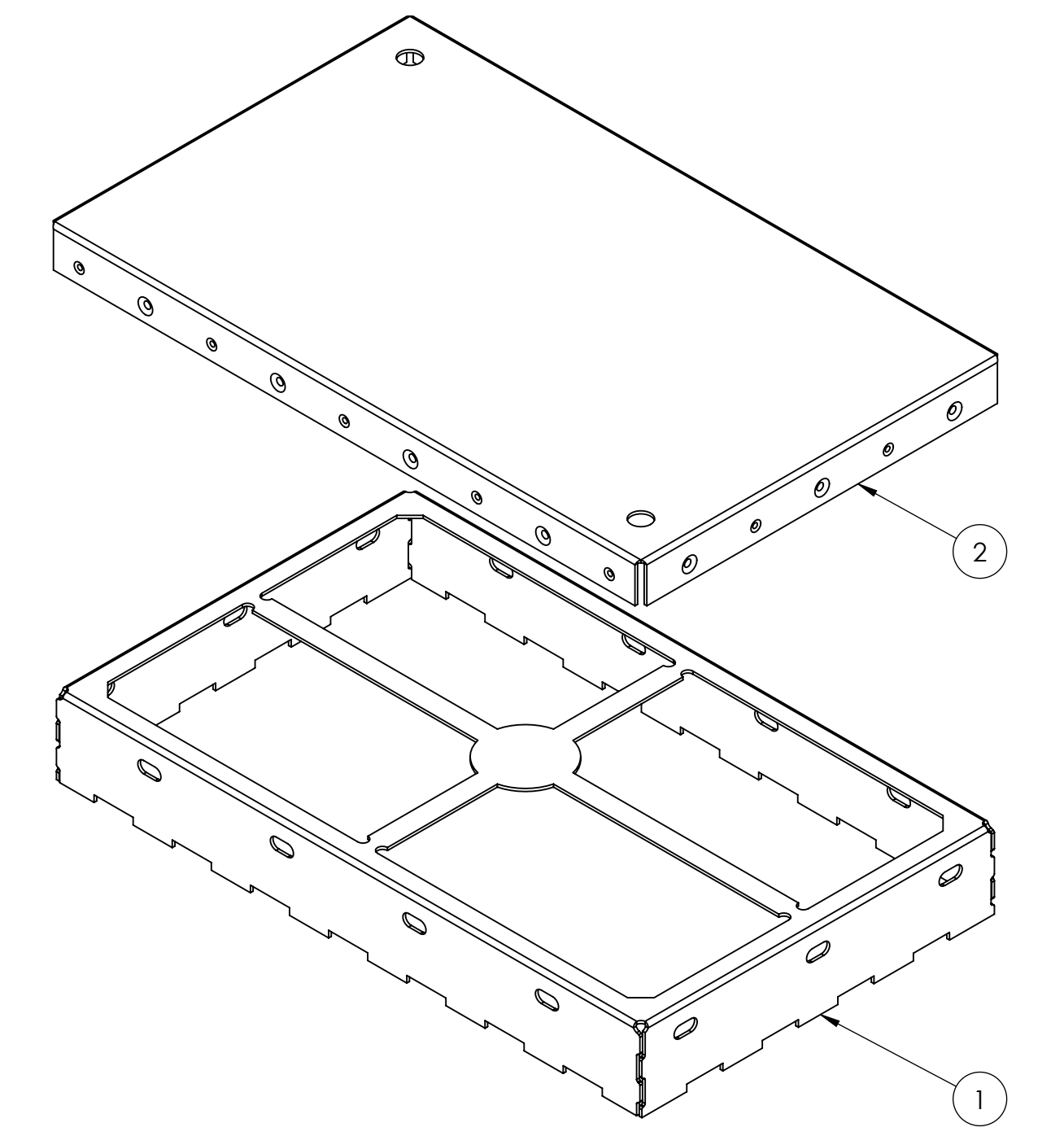
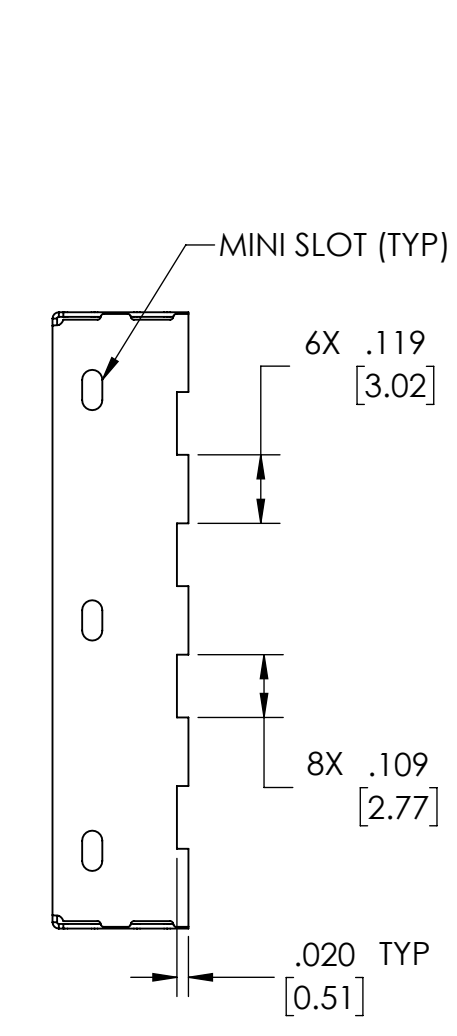
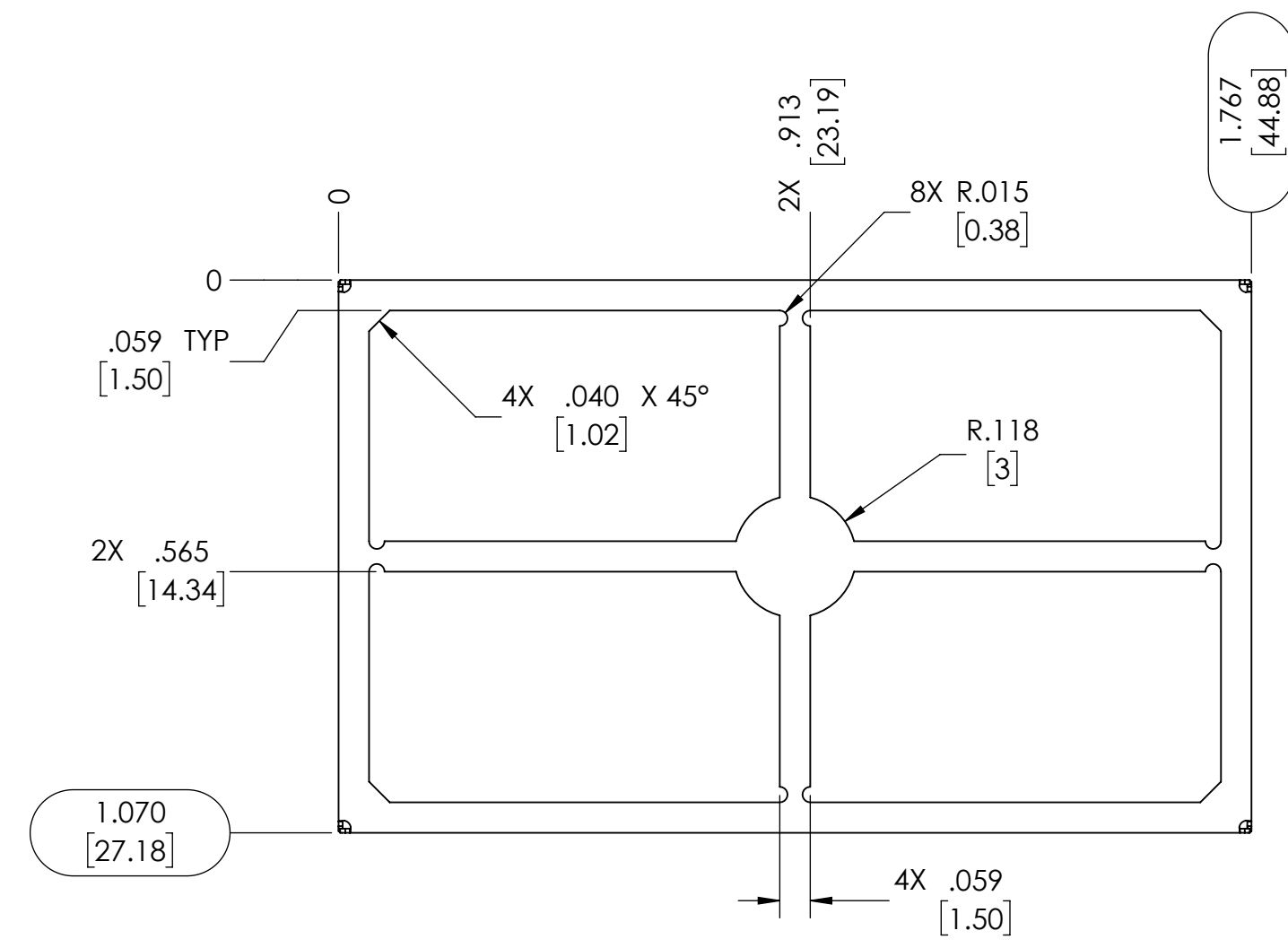
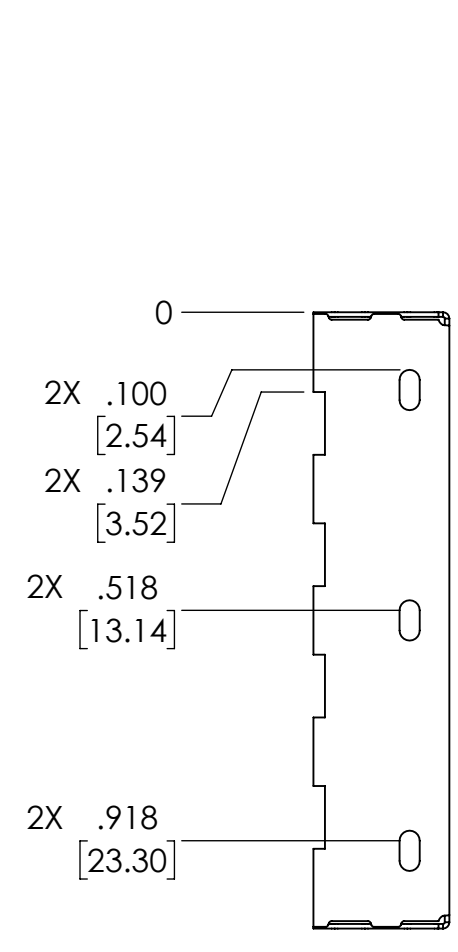
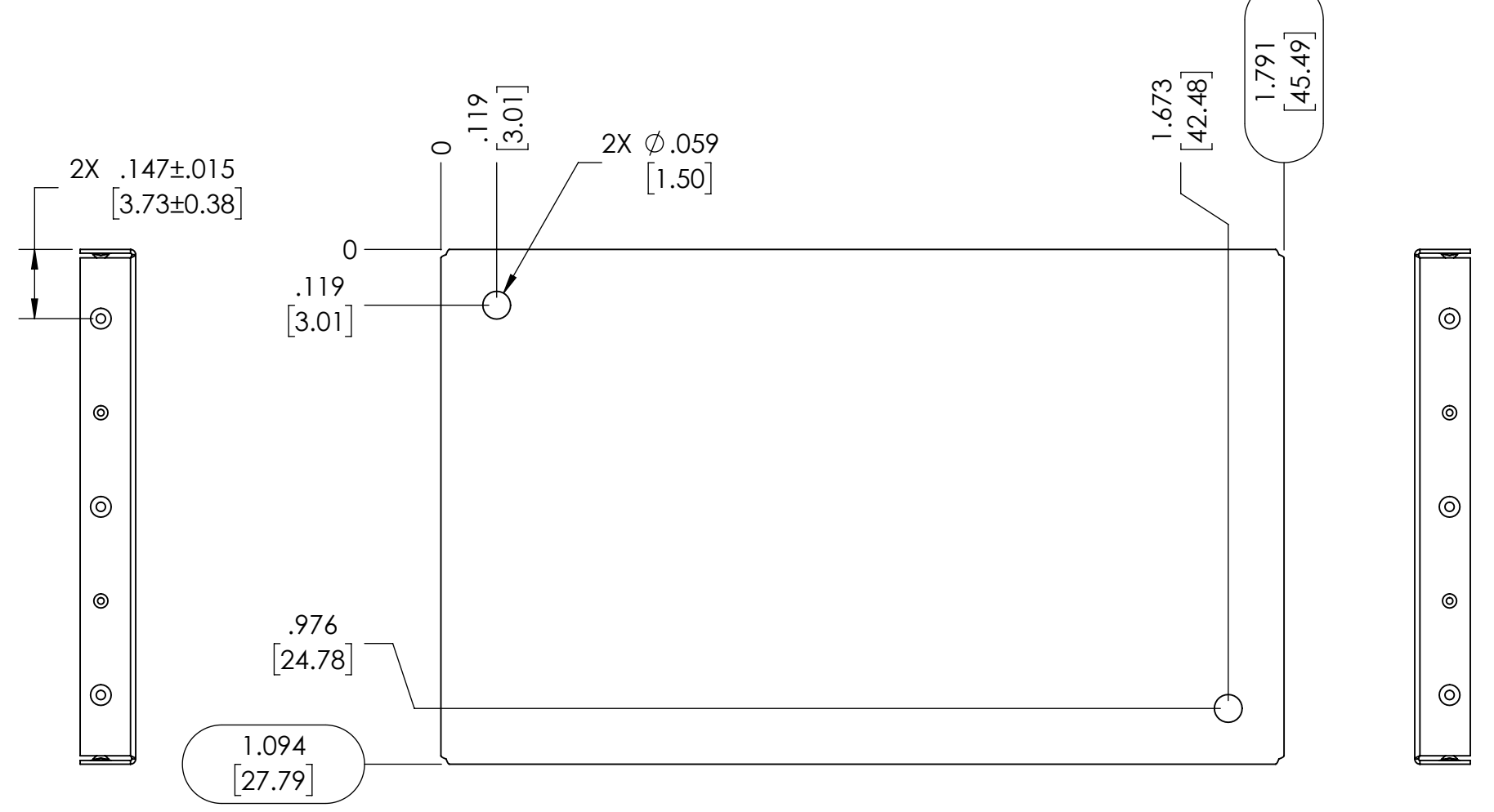
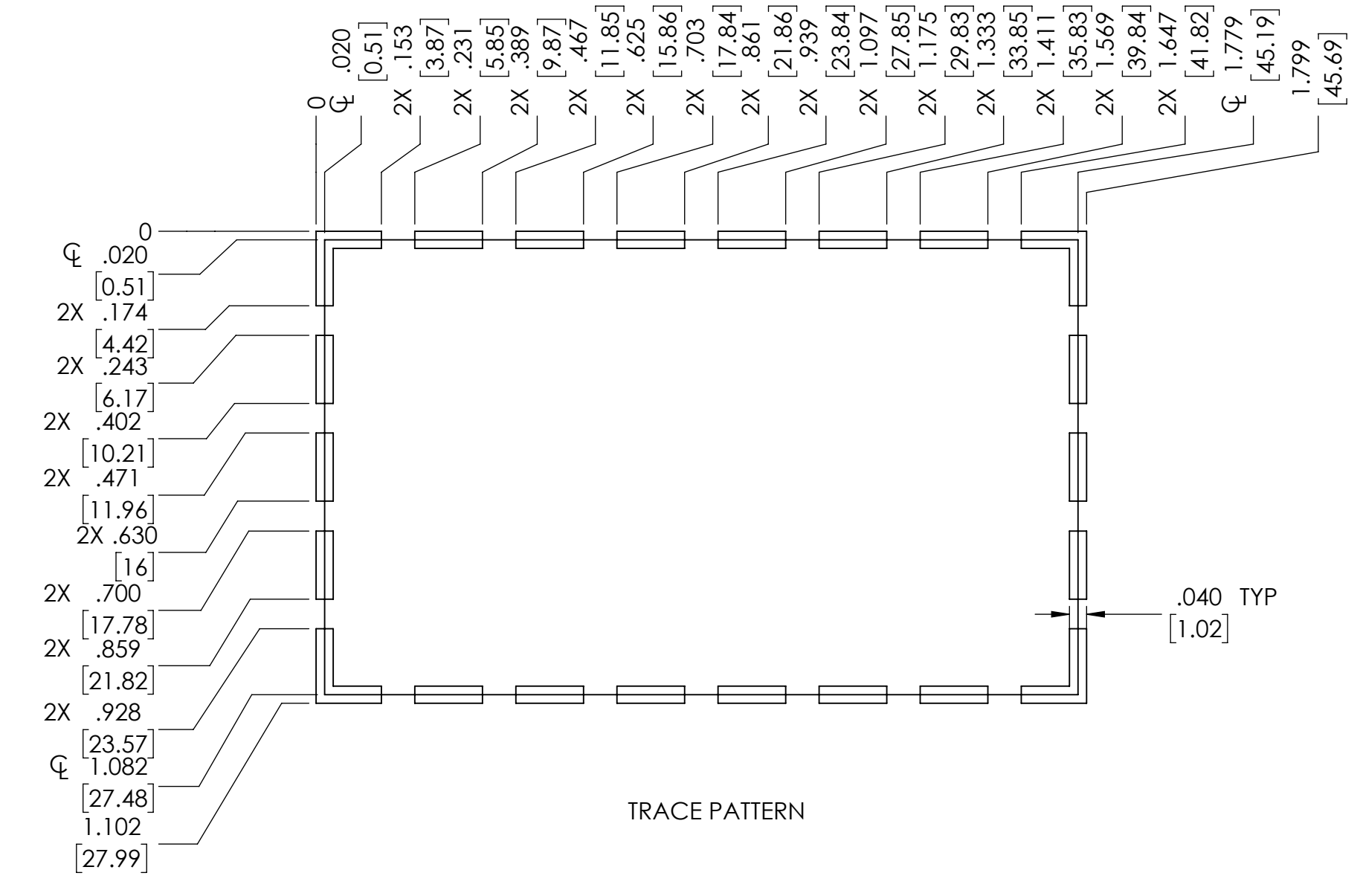
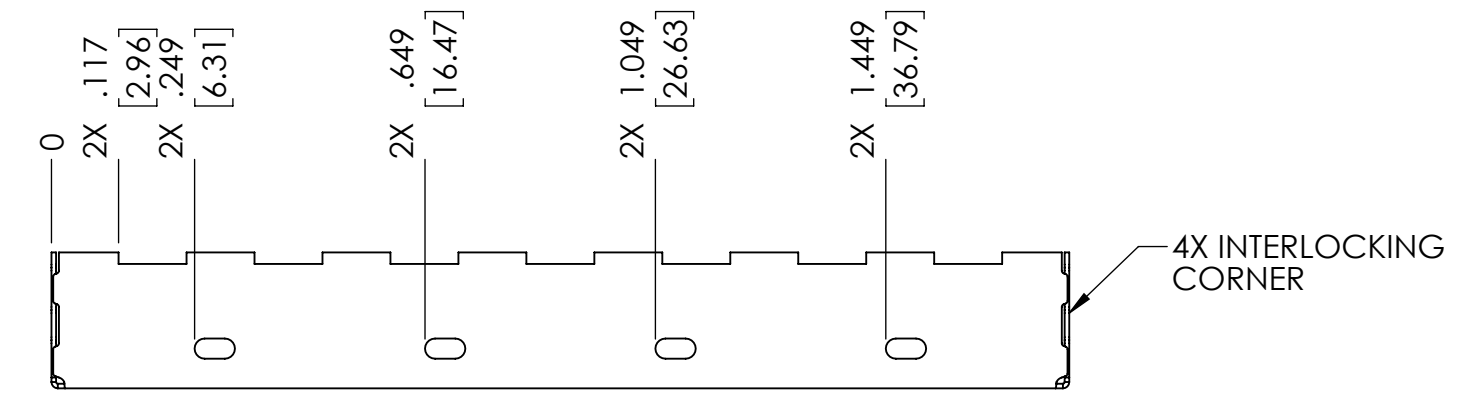
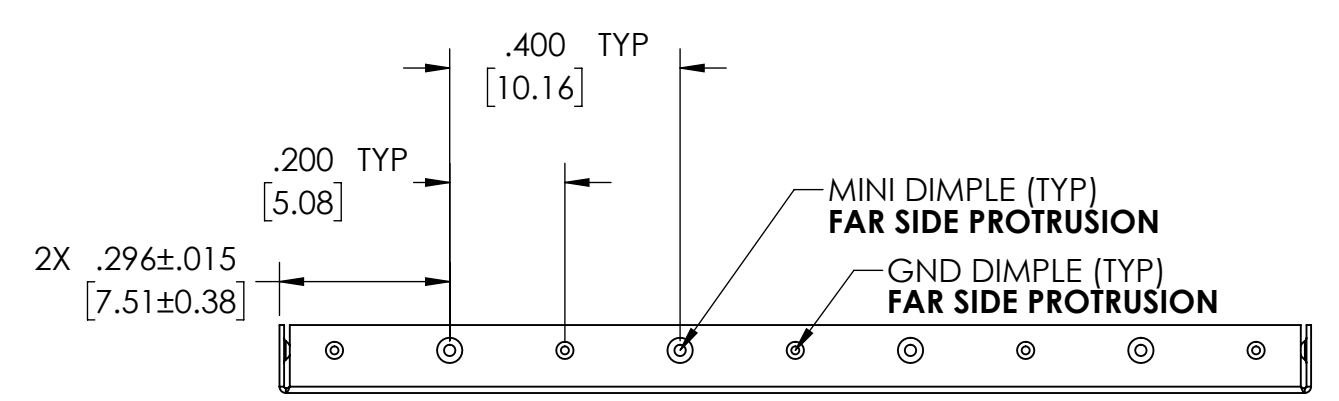


- NOTES:
1. ASSURE ASSEMBLY CAPABILITY BY MATCHING WITH MATING PART
  2. DIMENSIONS IN [ ] ARE IN MILLIMETERS



CARRIER TAPE SPECIFICATIONS						
PART NUMBER	DESCRIPTION	OVERALL DIMENSIONS	OVERALL HEIGHT	CARRIER TAPE WIDTH	CARRIER TAPE PITCH	PARTS PER REEL
SMS-460-N-F	FRAME	1.070 X 1.767 [27.18 X 44.88]	.236 [5.99]	72 mm	40 mm	230
SMS-460-N-C	COVER	1.094 X 1.791 [27.79 X 45.49]	.118 [3.00]	N/A	N/A	BULK PACK

ITEM NO.	PART NUMBER	DESCRIPTION	QTY.
1	SMS-460-N-F	FRAME	1
2	SMS-460-N-C	COVER	1

UNLESS OTHERWISE SPECIFIED:  
 - ALL DIMENSIONS ARE IN INCHES  
 - PART SHALL BE FREE OF BURRS AND SHARP EDGES  
 - ALL DIMENSIONS SHOWN APPLY AFTER PLATING AND COATINGS  
 - ROHS COMPLIANT PER EU DIRECTIVE 2011/65/EU  
 - POI = POINT OF INTERSECTION

THIRD ANGLE PROJECTION  
 ANGLES +/- 2°

ITEM NO.: SDH 2016-09-21  
 TITLE: SURFACE MOUNT SHIELD  
 DRAWN BY: N/A  
 APPROVED BY: N/A  
 FRIGID: N/A  
 MATERIAL: .008 C77000 H02 (ALLOY 77) PER ASTM B122/B122M

SCALE: 3:1  
 DWG. NO.: D  
 SHEET: 1 OF 1  
 CAGE CODE: 4J674  
 REV: A

LEADER TECH  
 a HEICO company  
 The Leading Edge in EMI Shielding Technology