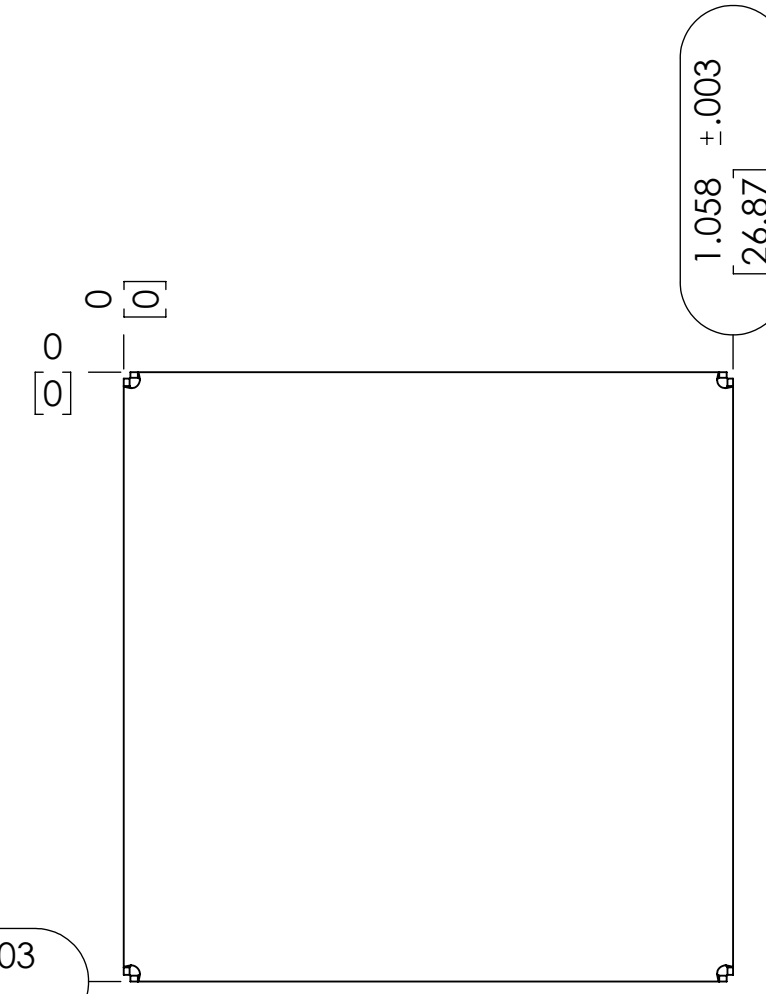
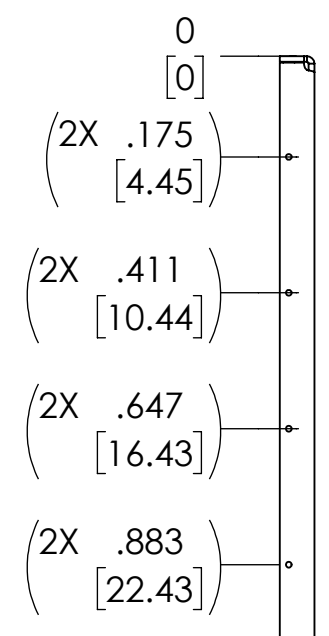
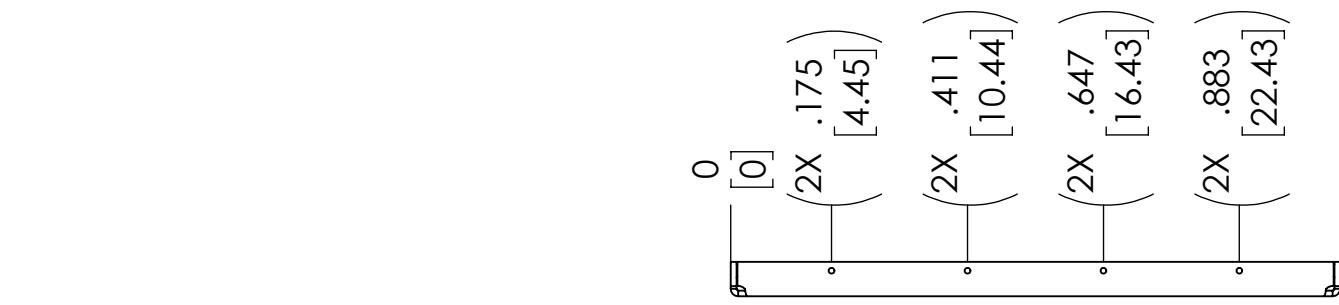
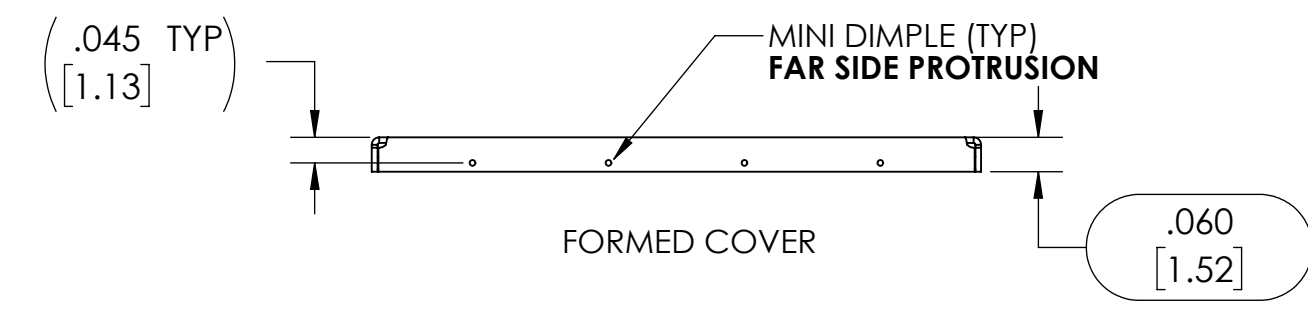


NOTES:
 1. ASSURE ASSEMBLY CAPABILITY BY MATCHING WITH MATING PART
 2. DIMENSIONS IN [] ARE IN MILLIMETERS

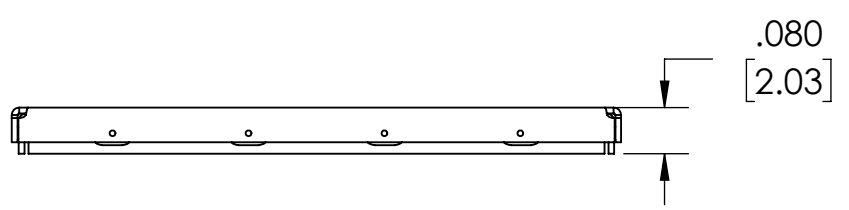


1.058 ±.003
[26.87]

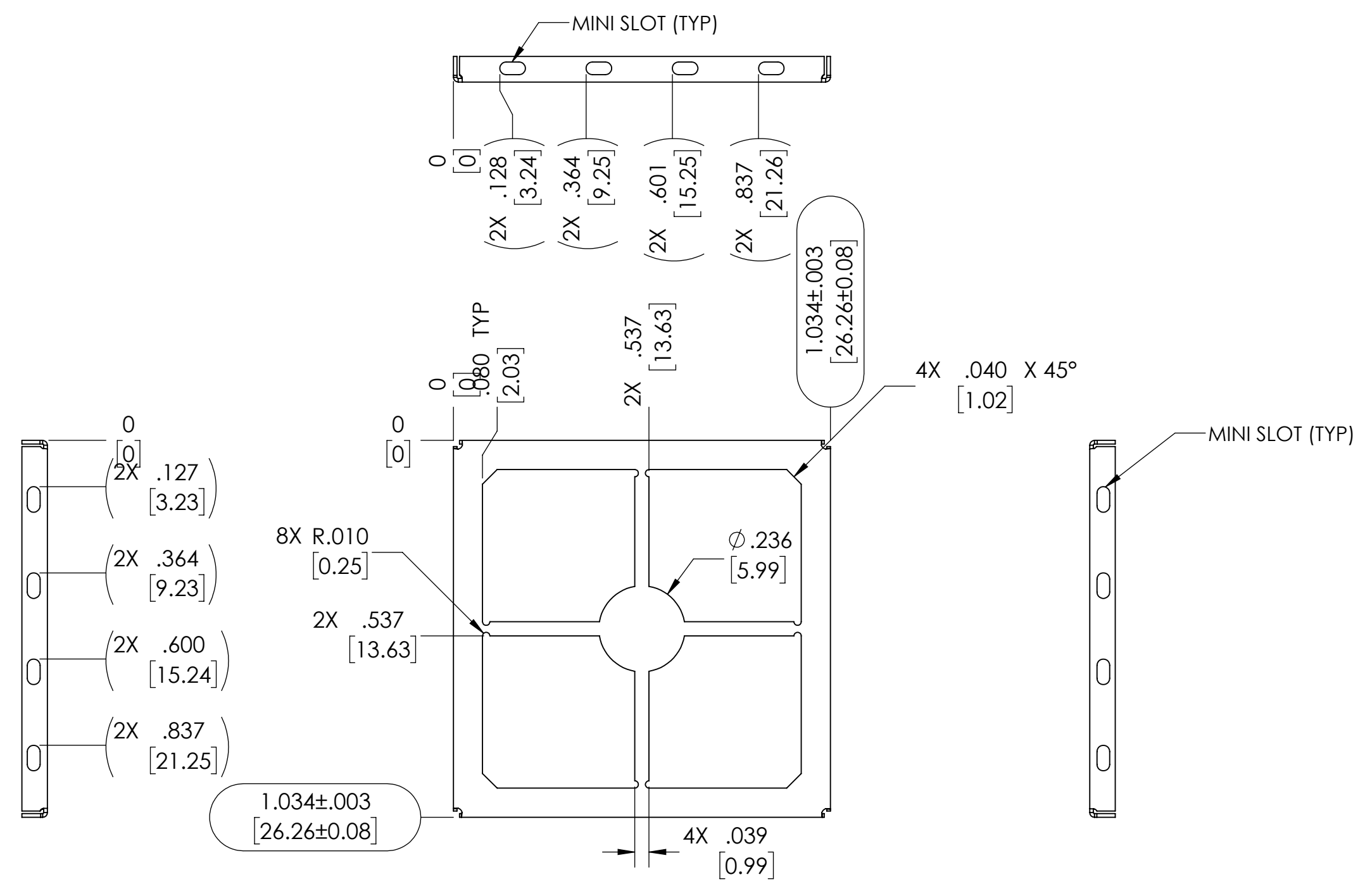


FORMED COVER

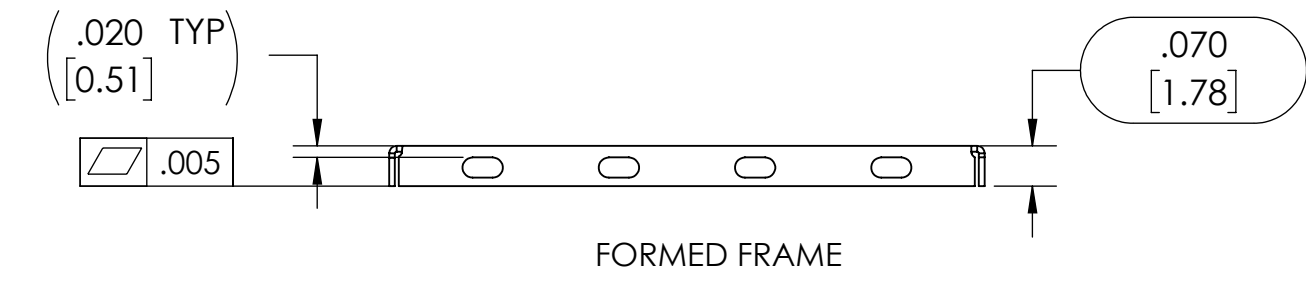
ASSEMBLY



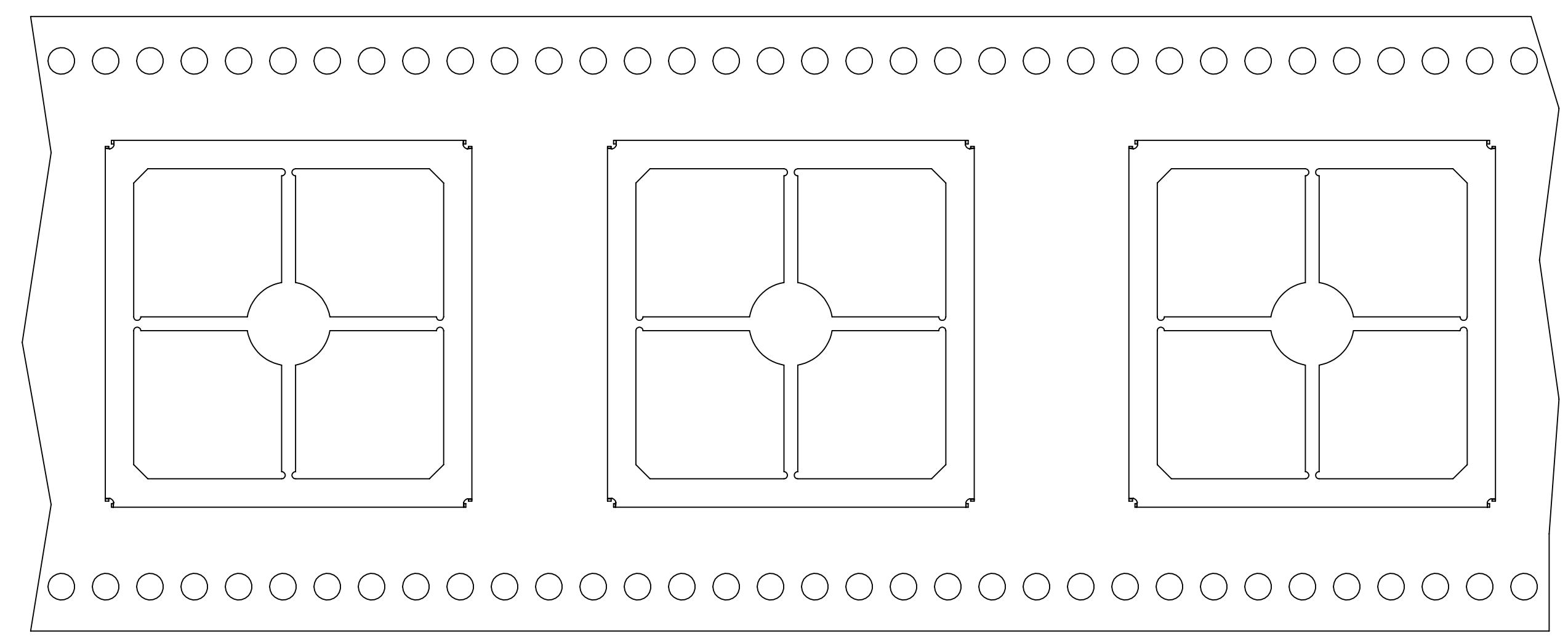
.080
[2.03]



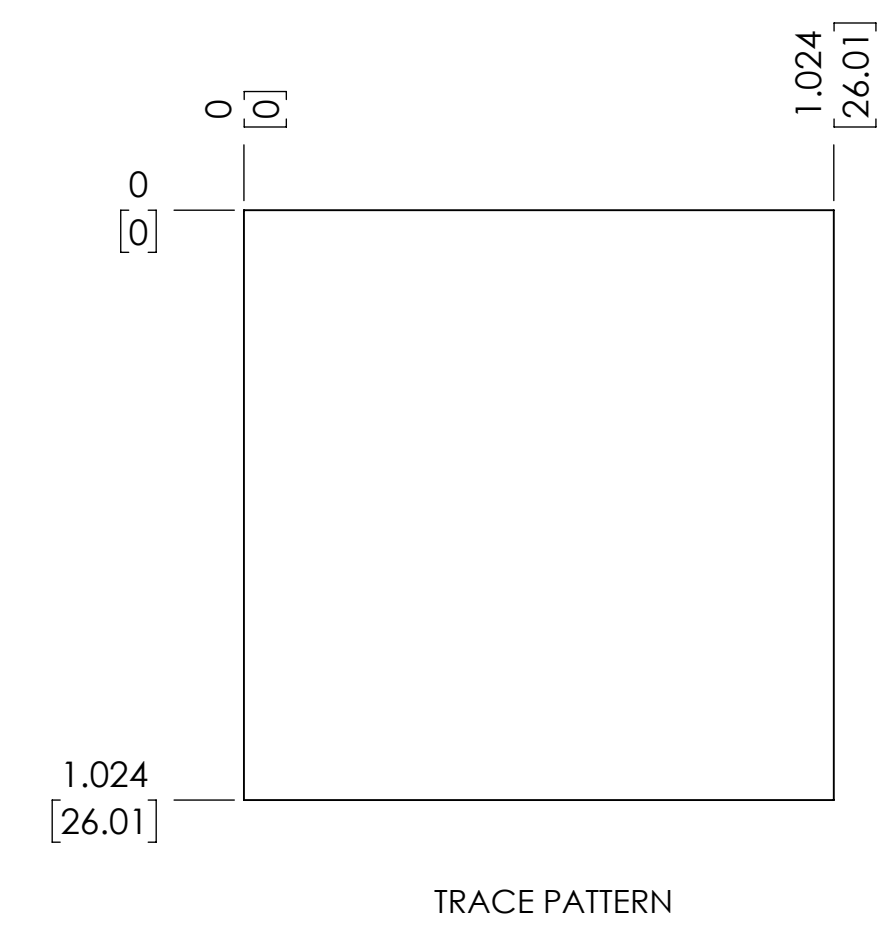
1.034±.003
[26.26±0.08]



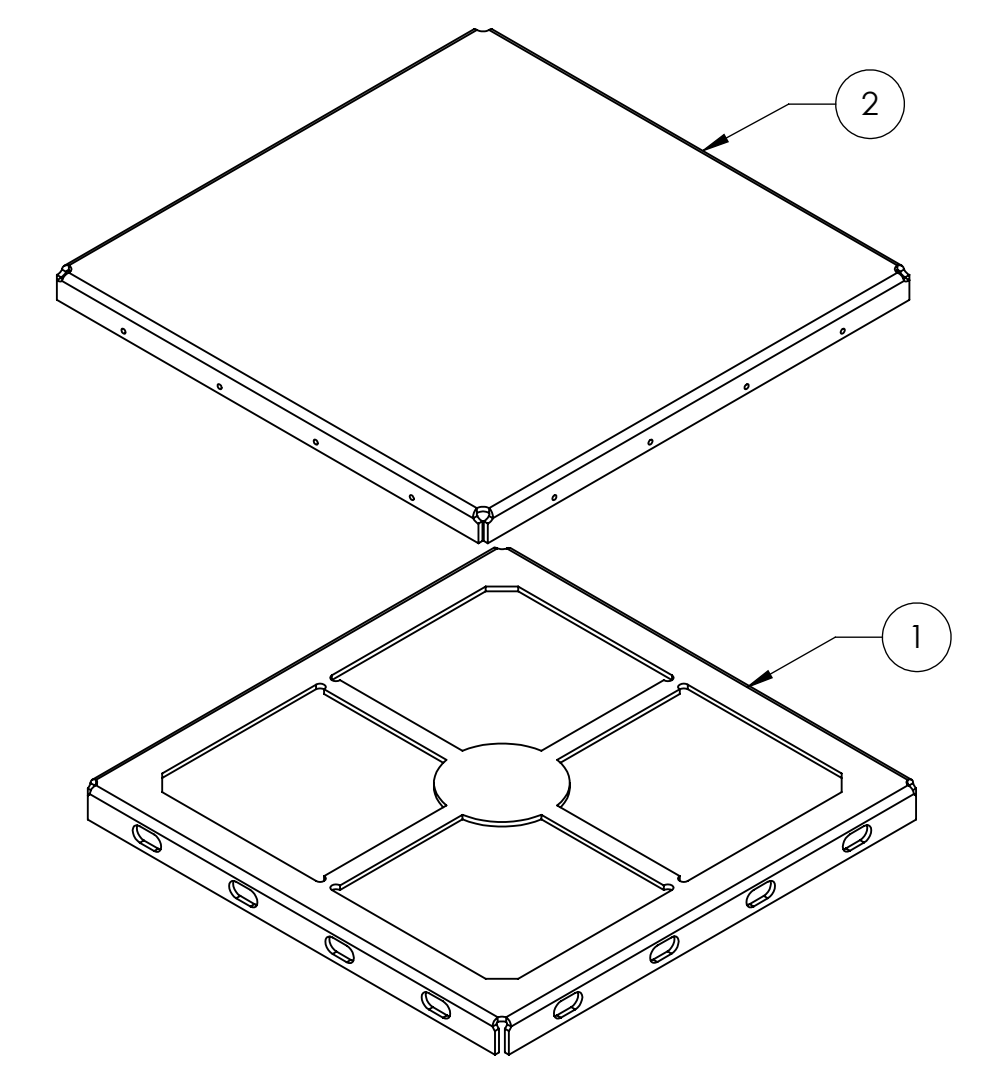
FORMED FRAME



CARRIER TAPE



TRACE PATTERN



CARRIER TAPE SPECIFICATIONS						
PART NUMBER	DESCRIPTION	OVERALL DIMENSION	OVERALL HEIGHT	CARRIER TAPE WIDTH	CARRIER TAPE PITCH	PARTS PER REEL
SMS-452-F	FRAME	1.034 X 1.034 [26.26 X 26.26]	.070 [1.778]	44mm	32mm	300
SMS-452-C	COVER	1.058 X 1.058 [26.87 X 26.87]	.060 [1.524]	N/A	N/A	BULK PACK

THIS DOCUMENT CONTAINS PROPRIETARY INFORMATION OWNED BY LEADTECH OR DEVELOPED AT ITS OWN PRIVATE EXPENSE AND MAY NOT BE USED, DUPLICATED OR DISCLOSED IN WHOLE OR IN PART FOR ANY PURPOSE INCLUDING DESIGN, MANUFACTURE OR PROCUREMENT WITHOUT THE WRITTEN PERMISSION OF LEADTECH. LEADTECH DOES NOT GUARANTEE OR WARRANT THE PERFORMANCE CHARACTERISTICS.

ITEM NO.	PART NUMBER	DESCRIPTION	QTY.
1	SMS-452 F	FRAME	1
2	SMS-452 C	COVER	1

DRAWN BY: ACS		APPROVED BY: ND	
DATE: 2015-04-17		DATE: 2015-05-12	
FINISH: BRIGHT			
MATERIAL: .010" [0.254] - PRE TIN STEEL			

THIRD ANGLE PROJECTION		LEADER TECH a HEICO company The Leading Edge in PAM Manufacturing Technology	
TITLE: SURFACE MOUNT SHIELD			
SIZE: D	DWG. NO.: SMS-452	REV: C	
SCALE: 3:1	CAGE CODE: 4J674	SHEET: 1 OF 1	