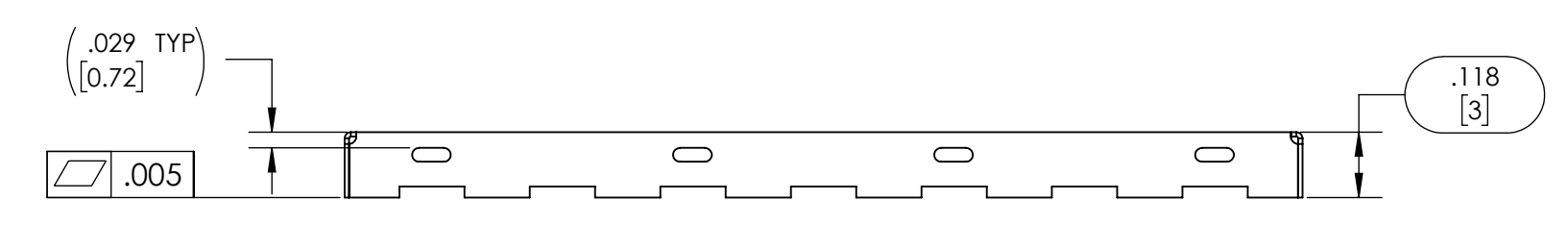
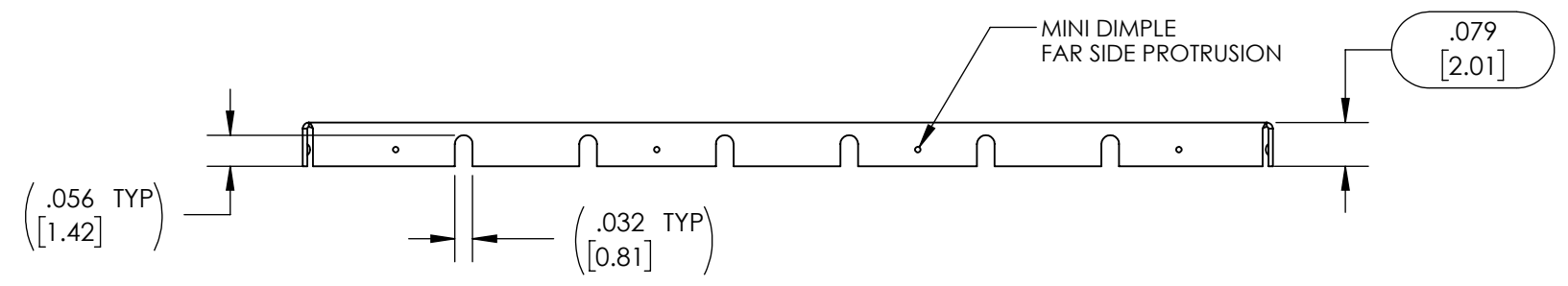
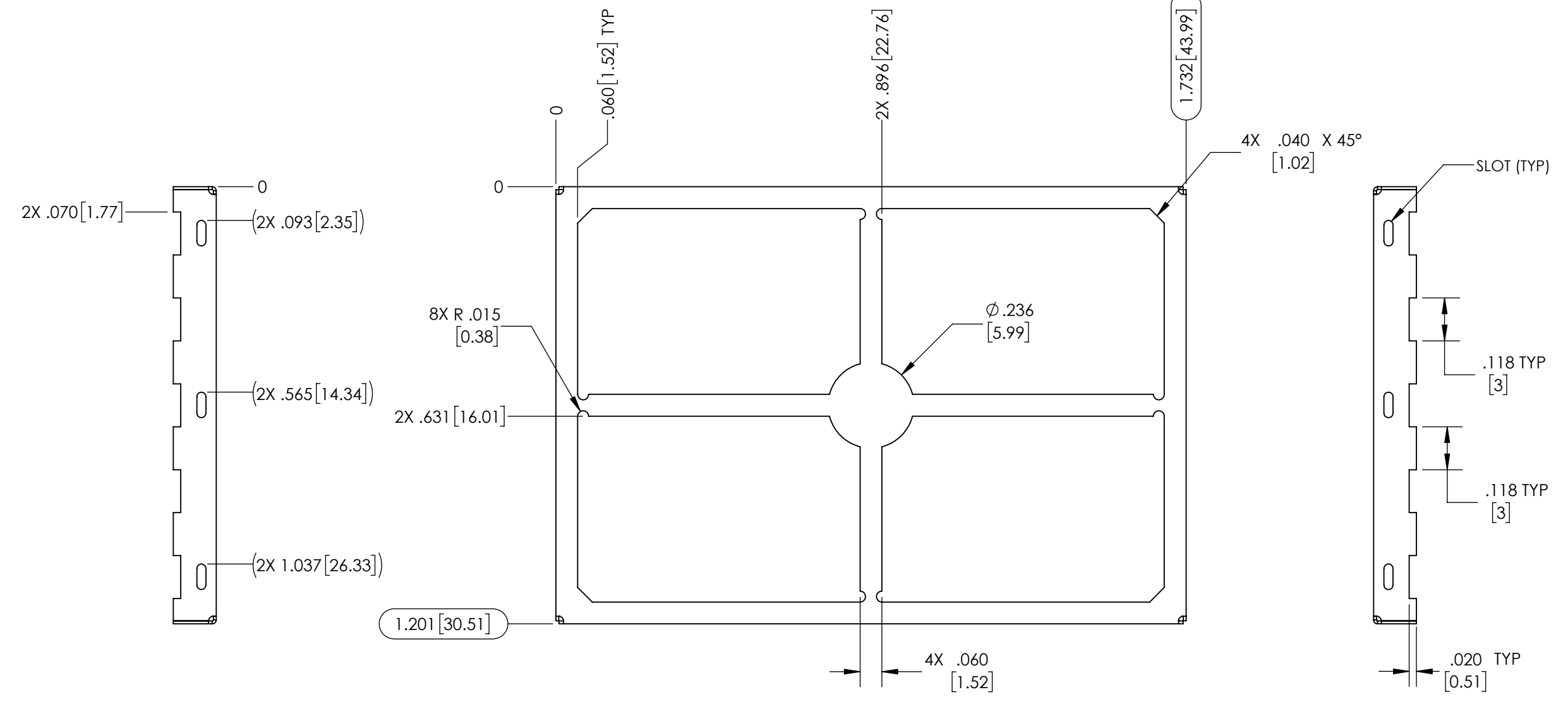
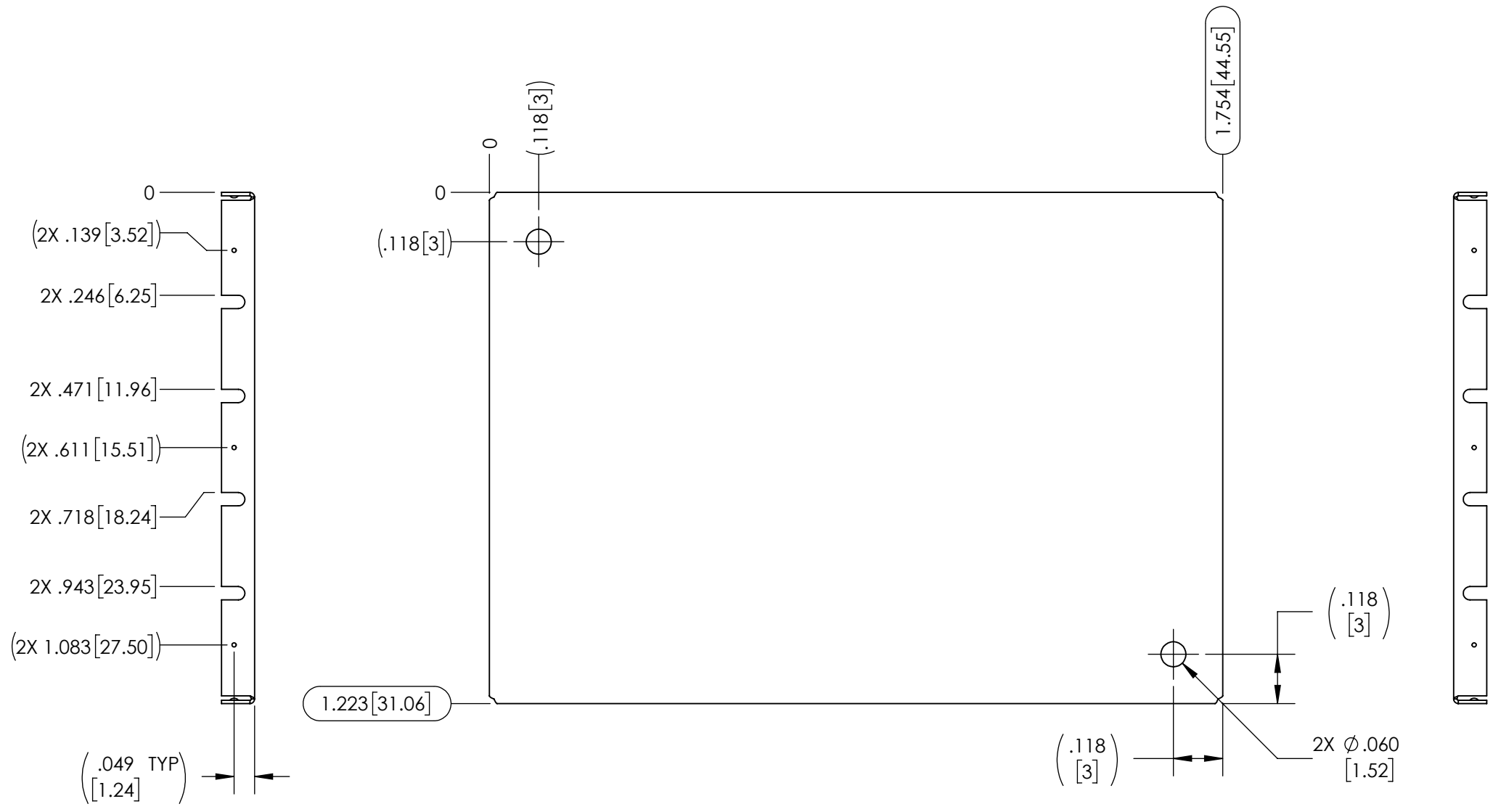
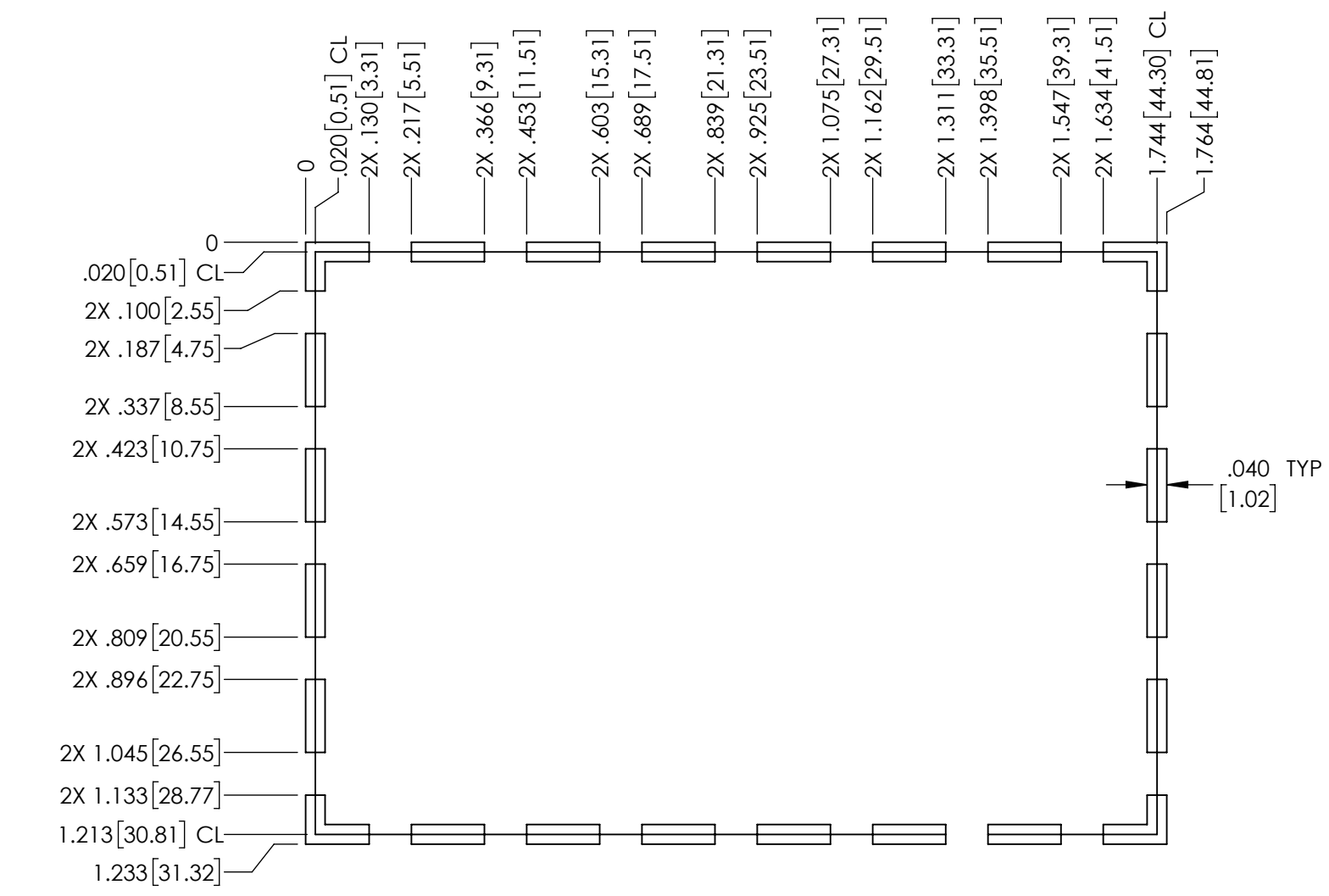
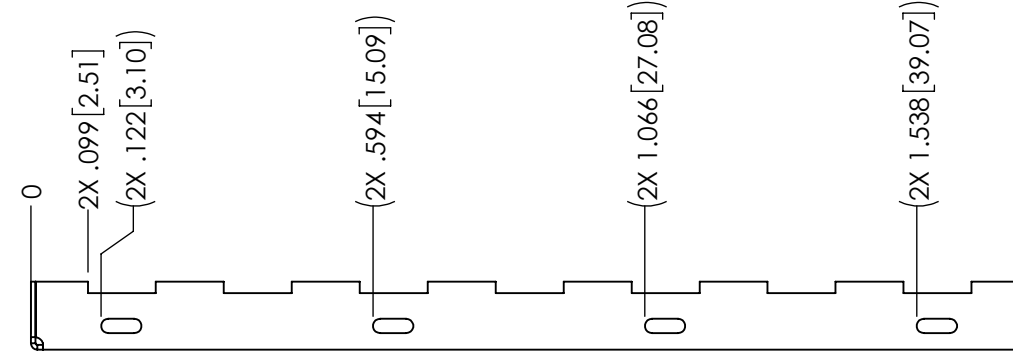
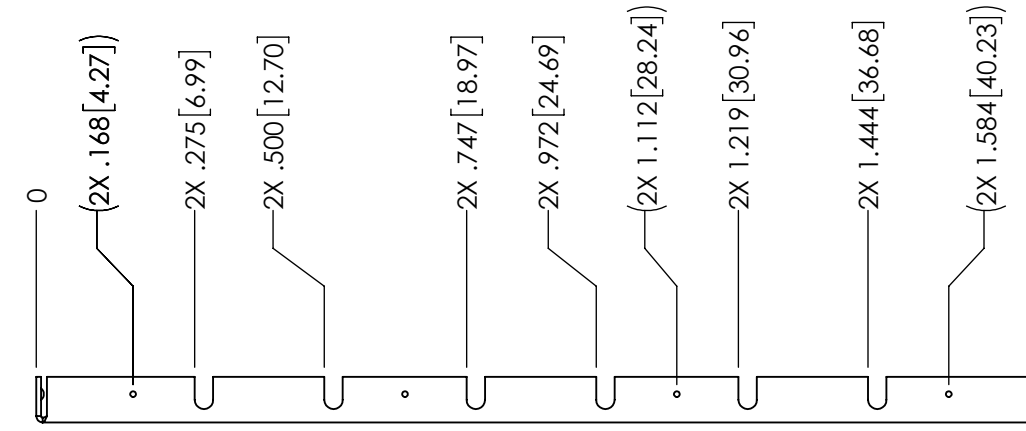
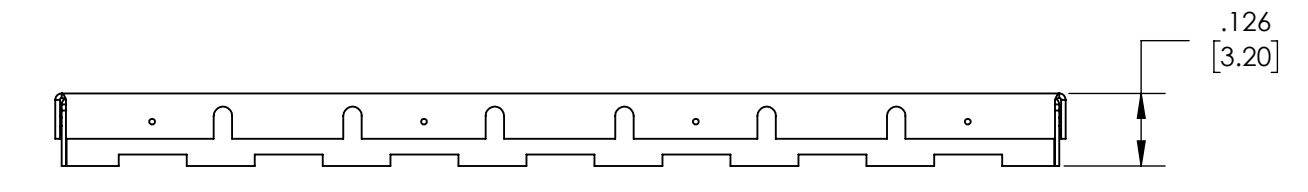
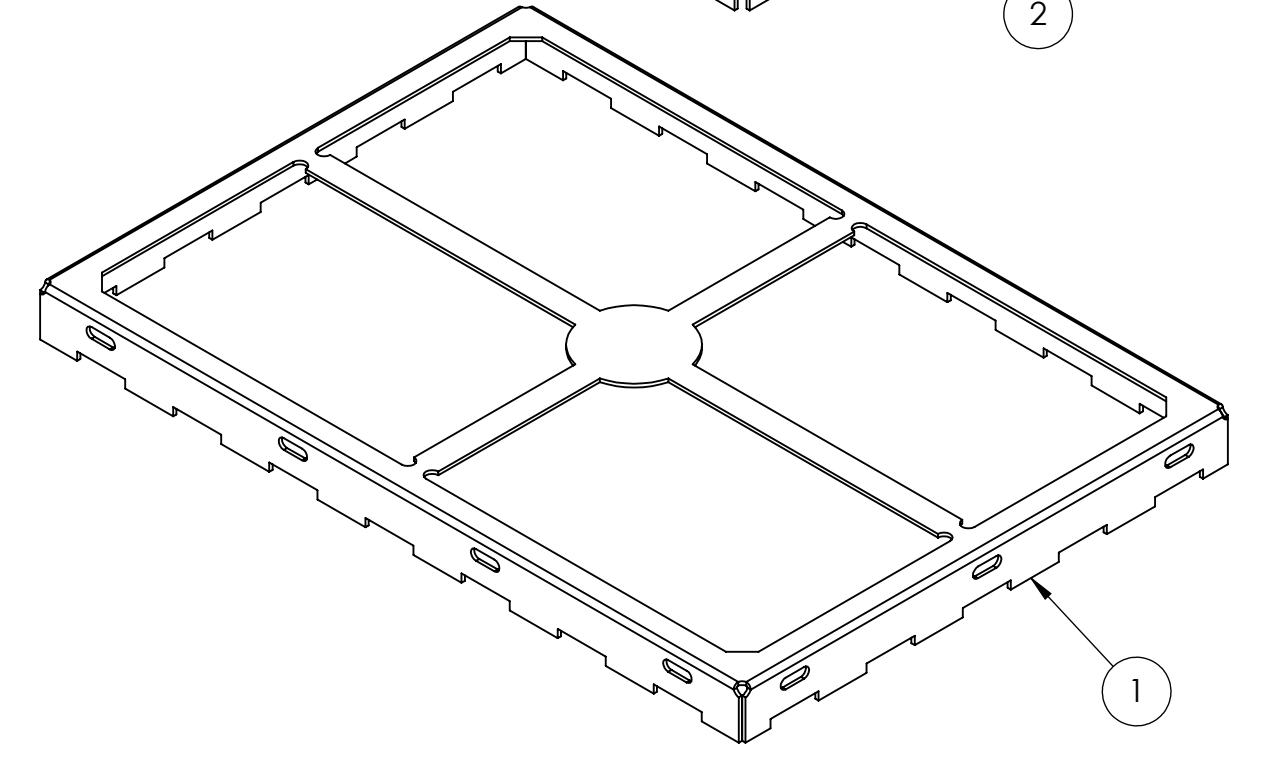
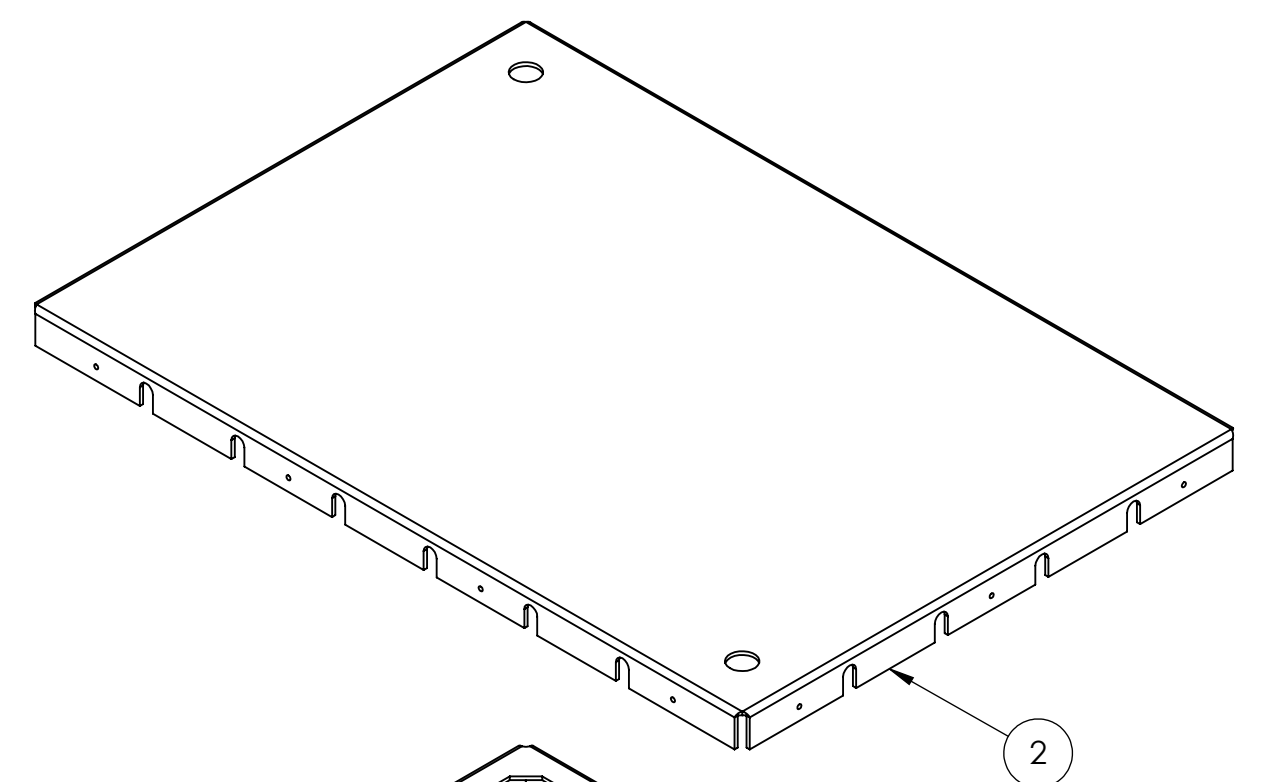


- NOTES:
 1. ASSURE ASSEMBLY CAPABILITY BY MATCHING WITH MATING PART
 2. DIMENSIONS IN BRACKETS ARE IN MM

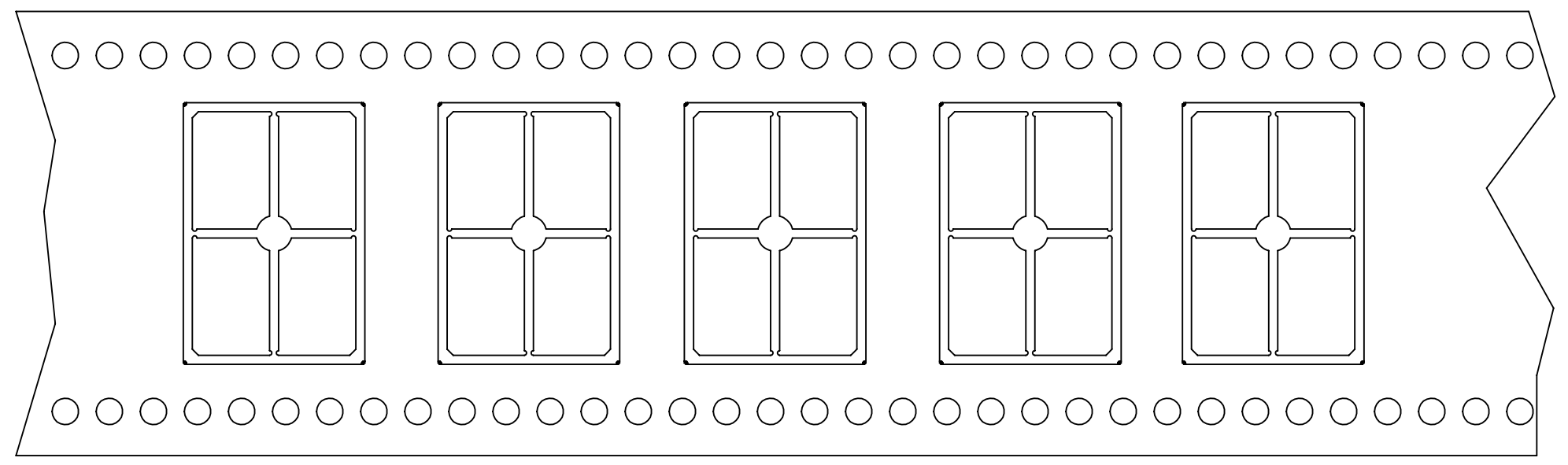


FORMED COVER

FORMED FRAME



ASSEMBLY



CARRIER TAPE

ITEM NO.	PART NUMBER	DESCRIPTION	QTY.
1	SMS-210-N-F	FRAME	1
2	SMS-210-N-C	COVER	1

UNLESS OTHERWISE SPECIFIED:
 - ALL DIMENSIONS ARE IN INCHES
 - PART SHALL BE FREE OF BURRS AND SHARP EDGES
 - ALL DIMENSIONS SHOWN APPLY BEFORE PLATING AND COATINGS
 - ROHS COMPLIANT PER EU DIRECTIVE 2011/65/EU
 - POI = POINT OF INTERSECTION

THIRD ANGLE PROJECTION

SCALE: .XXX +/- .005 .XX +/- .010 .X +/- .020 ANGLES +/- 2°

DRAWN BY: NA 2014-05-29 APPROVED BY: RS 2015-05-29

FRSH: N/A

MATERIAL: .008" C77000 H02 (ALLOY 770)

LEADER TECH
 a HEICO company
 The Leading Edge in PAM Manufacturing Technology

TITLE: SURFACE MOUNT SHIELD

SIZE: D DWG. NO.: SMS-210-N REV: D

SCALE: 3:1 CAGE CODE: 4J674 SHEET: 1 OF 1

CARRIER TAPE SPECIFICATIONS						
PART NUMBER	DESCRIPTION	OVERALL DIMENSIONS	OVERALL HEIGHT	CARRIER TAPE WIDTH	CARRIER TAPE PITCH	PARTS PER REEL
SMS-210-N-F	FRAME	1.201 X 1.732 [30.50 X 43.99]	.118 [3.00]	72 mm	40 mm	370
SMS-210-N-C	COVER	1.223 X 1.754 [31.06 X 44.55]	.079 [2.01]	N/A	N/A	BULK PACK

THIS DOCUMENT CONTAINS PROPRIETARY INFORMATION OWNED BY LEADERTECH OR DEVELOPED AT ITS OWN PRIVATE EXPENSE AND MAY NOT BE USED, REPRODUCED OR DISCLOSED IN WHOLE OR IN PART FOR ANY PURPOSE INCLUDING DESIGN, MANUFACTURE OR PROCUREMENT WITHOUT THE WRITTEN PERMISSION OF LEADERTECH. LEADERTECH DOES NOT GUARANTEE OR WARRANT THE PERFORMANCE CHARACTERISTICS.